



# KBR 355DV/K THERMO FAN

Item no. 5977

Document type: **Product card**  
 Document date: **2019-07-16**  
 Generated by: **Systemair Online Catalogue**

## Description

- Max temperature of transported air 120°C
- Speed-controllable(except models 280D2 & 280D2-4)
- Integral thermal contacts
- Low sound level

The KBR fans have impellers manufactured from aluminum with backward-curved blades and external rotor motors. The KBR casing is manufactured from doubleskinned galvanised sheet steel and is insulated with 50 mm mineral wool.

The KBR fans have a swing-out door for easy inspection and service. The direction of the door opening can easily be changed from left to right at site. The fan is isolated from the casing via connectors and anti-vibration dampers are incorporated into the base frame.

To protect the motors from overheating the KBR fans have integral thermal contacts(KBR 280D2 & 280D2-4 with PTC) with external leads for connection to a motor protection device.



## Technical parameters

Nominal data		
Voltage	400	V
Frequency	50	Hz
Phase	3	~
Connection	D/Y	
Input power (P1)	323	W
Current	1,39	A
Max. airflow	0,82	m³/s
R.p.m.	1434	r.p.m.
Weight	64	kg
Temperature data		
Max. temperature of transported air	120	°C
Sound data		
Sound pressure level at 4 m	41	dB(A)
Sound pressure level at 10 m	33	dB(A)
Protection / Classification		
Insulation class	F	
Enclosure class, motor	IP54	
Default group		
Starting current	4,6	A

### Get In Touch

Call: [0845 6880112](tel:08456880112)  
 Email: [info@adremit.co.uk](mailto:info@adremit.co.uk)

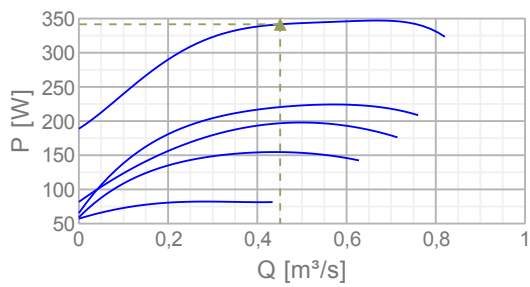
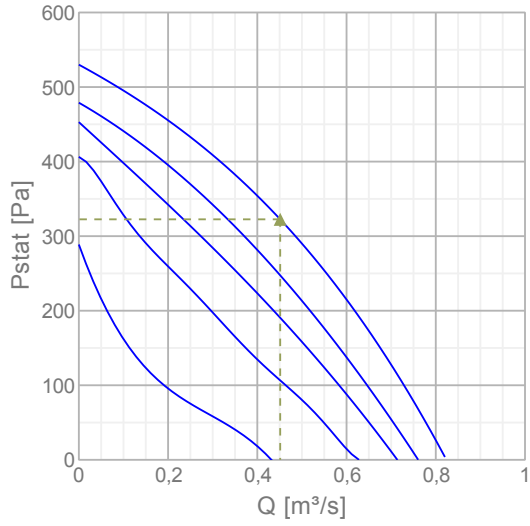
### Our Address

Puravent, Adremit Limited, Unit 5a, Commercial Yard,  
 Settle, North Yorkshire, BD24 9RH



## Diagrams

### Diagrams



### Max efficiency

Hydraulic data	
▲ Working air flow	0,451 m <sup>3</sup> /s
▲ Working static pressure	323 Pa
▲ Power	342 W
Speed	1436 r.p.m.
Current	1,24 A
SFP	0,757 W/(l/s)
Voltage	400 V

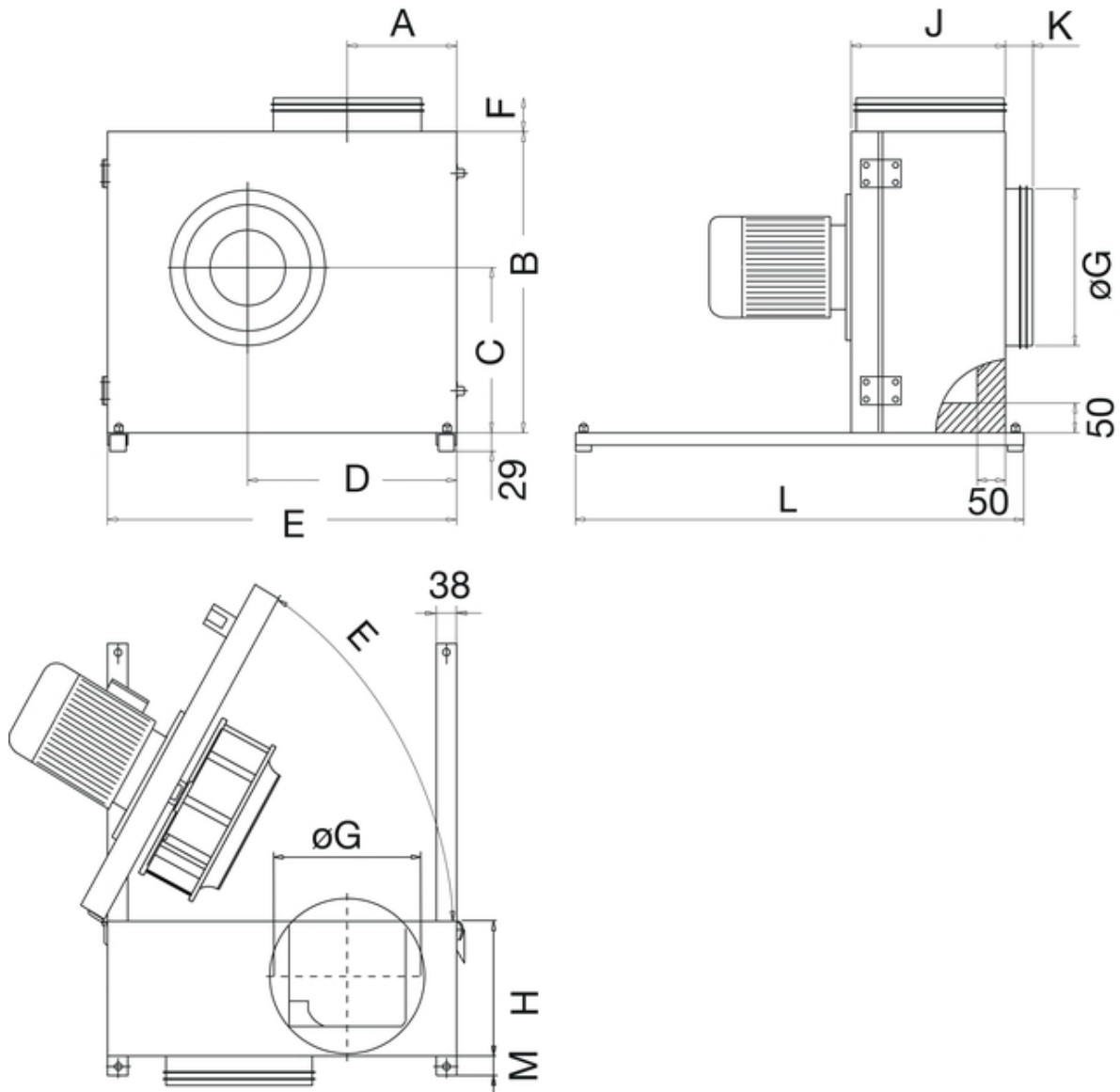
### Get In Touch

 **Call:** [0845 6880112](tel:08456880112)  
 **Email:** [info@adremit.co.uk](mailto:info@adremit.co.uk)

### Our Address

Puravent, Adremit Limited, Unit 5a, Commercial Yard,  
Settle, North Yorkshire, BD24 9RH

Dimensions





KBR	A	B	C	D	E	F	$\varnothing G$	H	J	K	L	M
355	206,7	655	372	451	770	125	355	273	331	70	770	55

Name: **KBR 355DV/K THERMO FAN** | Item no.: **5977**

Document type: **Product card** | Document date: **2019-07-16** | Generated by: **Online catalogue**

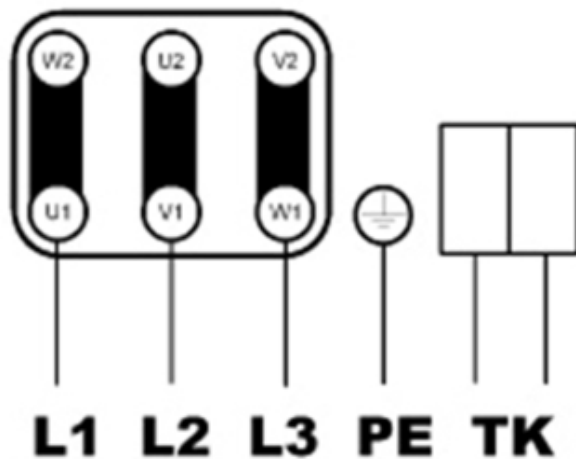
Get In Touch

 Call: [0845 6880112](tel:08456880112)  
 Email: [info@adremit.co.uk](mailto:info@adremit.co.uk)

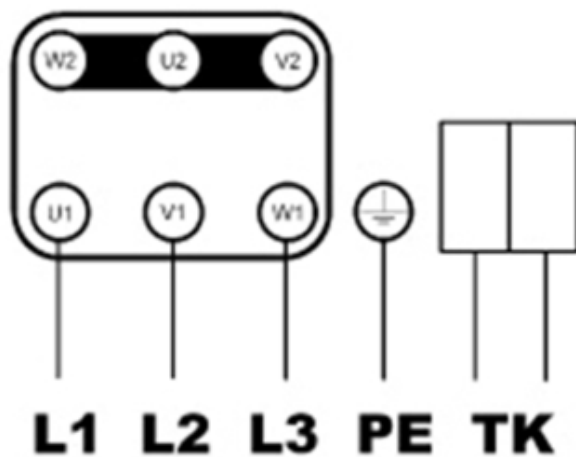
Our Address

Puravent, Adremit Limited, Unit 5a, Commercial Yard,  
Settle, North Yorkshire, BD24 9RH

## Wiring



D-Schaltung  
D-koppling  
Delta connection  
Branchement en triangle



Y-Schaltung  
Y-koppling  
Star connection  
Branchement en étoile

cir-dlia\_kbr dv\_160510\_de,en,se,fr\_001

### Accessories

#### Electric accessories

[RTRD 2 Speed Cont. Systemair \(5941\)](#)  
[RTRDU 2 Speed contr. Systemair \(5945\)](#)  
[S-DT2SKT Two speed switch Y/D \(2697\)](#)  
[RT 0-30 Room Thermostat \(5151\)](#)  
[STDT 16 Motor Protection \(5152\)](#)  
[STDT 16E Motor Protection \(5153\)](#)  
[CO2RT-R-D Transmitter \(6993\)](#)  
[Presence detector/IR24-P \(6995\)](#)  
[DTV200 \(6261\)](#)  
[REV-5POL/07 ON/OFF \(33980\)](#)  
[REV-9POL/12 ON/OFF \(33981\)](#)  
[FRQ-4A V2 \(36227\)](#)  
[FRQ5-4A+LED V2 \(36229\)](#)  
[FRQ5S-4A+LED V2 \(36233\)](#)  
[FRQS-4A V2 \(36231\)](#)  
[DTV500A \(96807\)](#)

#### Accessories

[ASF 355/KB Flex. connection \(2719\)](#)  
[WBK 315/355 Wall bracket \(2721\)](#)  
[ALS-KBR drain plug \(2727\)](#)  
[WSD KBR-1 Weather roof f.motor \(2728\)](#)

Name: **KBR 355DV/K THERMO FAN** | Item no.: **5977**

Document type: **Product card** | Document date: **2019-07-16** | Generated by: **Online catalogue**

4 / 5


### Get In Touch


 **Call:** [0845 6880112](tel:08456880112)  
 **Email:** [info@adremite.co.uk](mailto:info@adremite.co.uk)

### Our Address

Puravent, Adremite Limited, Unit 5a, Commercial Yard,  
Settle, North Yorkshire, BD24 9RH

## Documentation

 manual\_kbr\_en\_[003].pdf (3,41MB)

 eu declaration of conformity\_thermofans\_en\_[002].pdf (46,39kB)

## Acoustics

Mid-frequency band, Hz

		Tot	125	250	500	1k	2k	4k	8k
LwA Inlet	dB(A)	82	80	79	74	72	68	62	59
LwA Outlet	dB(A)	84	82	81	76	74	70	64	61
LwA Surrounding	dB(A)	64	62	61	56	54	50	44	41

Measurement point: 1152 m3/h; 398 Pa

## Specification text

Kitchen exhaust fan for medium temperatures up to 120 °C in continuous operation, reliable, swing-out service door incl. motor section, motor outside air flow. Casing made of double-skinned galvanised steel sheet, insulated with 50 mm rock wool, non-combustible according to A1 DIN 4102. Swing-out door for easy inspection and service of impeller and motor, completely swing out to the outside. Backward curved centrifugal impeller made of aluminium. Impeller acc. to VDI 2060, balancing quality Q 6.3, dynamically balanced in two planes acc. to ISO 1940 T1. Voltage controllable internal rotor motor, standard motor IEC, outside the air flow. Integral thermal contacts with leads to a motor protection device. Speed-controlled by voltage reduction via transformer, 2 speed control by star delta change-over, controllable via frequency inverter. Terminal box fitted on the motor. Suction and discharge sided duct connection with rubber-lip seal. Top discharge. With protection plate to avoid condensate leakage. Low sound level. Indoor installation, outdoor installation with weather roof (WSD). Delivery with mounting rails and rubber vibration dampers.

### Get In Touch

 Call: [0845 6880112](tel:08456880112)  
 Email: [info@adremit.co.uk](mailto:info@adremit.co.uk)

### Our Address

Puravent, Adremit Limited, Unit 5a, Commercial Yard,  
Settle, North Yorkshire, BD24 9RH