



# KBR 315E4 THERMO FAN

Item no. 33749

Document type: **Product card**  
 Document date: **2019-07-16**  
 Generated by: **Systemair Online Catalogue**

## Description

- Max temperature of transported air 120°C
- Speed-controllable(except models 280D2 & 280D2-4)
- Integral thermal contacts
- Low sound level

The KBR fans have impellers manufactured from aluminum with backward-curved blades and external rotor motors. The KBR casing is manufactured from doubleskinned galvanised sheet steel and is insulated with 50 mm mineral wool.

The KBR fans have a swing-out door for easy inspection and service. The direction of the door opening can easily be changed from left to right at site. The fan is isolated from the casing via connectors and anti-vibration dampers are incorporated into the base frame.

To protect the motors from overheating the KBR fans have integral thermal contacts(KBR 280D2 & 280D2-4 with PTC) with external leads for connection to a motor protection device.



## Technical parameters

| Nominal data                        |       |        |
|-------------------------------------|-------|--------|
| Voltage                             | 230   | V      |
| Frequency                           | 50    | Hz     |
| Phase                               | 1     | ~      |
| Input power (P1)                    | 251   | W      |
| Current                             | 1,07  | A      |
| Max. airflow                        | 0,585 | m³/s   |
| R.p.m.                              | 1445  | r.p.m. |
| Weight                              | 54    | kg     |
| Temperature data                    |       |        |
| Max. temperature of transported air | 120   | °C     |
| Sound data                          |       |        |
| Sound pressure level at 4 m         | 36    | dB(A)  |
| Sound pressure level at 10 m        | 28    | dB(A)  |
| Protection / Classification         |       |        |
| Insulation class                    | F     |        |
| Enclosure class, motor              | IP54  |        |
| Default group                       |       |        |
| Starting current                    | 4,9   | A      |
| Capacitor                           | 12    | µF     |

### Get In Touch

Call: [0845 6880112](tel:08456880112)  
 Email: [info@adremit.co.uk](mailto:info@adremit.co.uk)

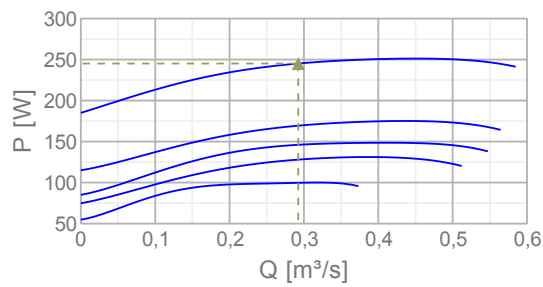
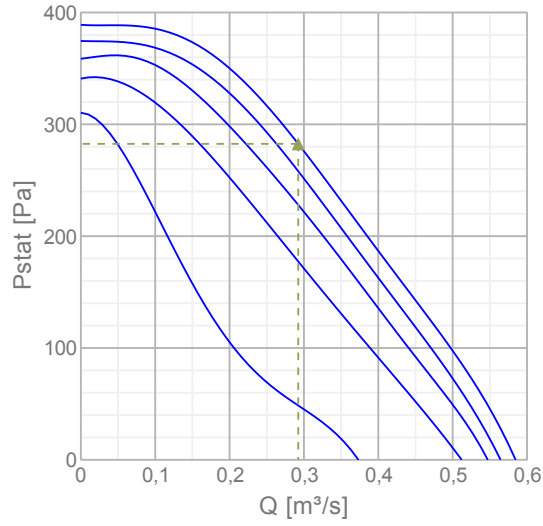
### Our Address

Puravent, Adremit Limited, Unit 5a, Commercial Yard,  
 Settle, North Yorkshire, BD24 9RH



## Diagrams

### Diagrams



### Max efficiency

| Hydraulic data            |               |
|---------------------------|---------------|
| ▲ Working air flow        | 0,292 m³/s    |
| ▲ Working static pressure | 283 Pa        |
| ▲ Power                   | 245 W         |
| Speed                     | 1445 r.p.m.   |
| Current                   | 1,05 A        |
| SFP                       | 0,839 W/(l/s) |
| Voltage                   | 230 V         |

### Get In Touch



Call: [0845 6880112](tel:08456880112)

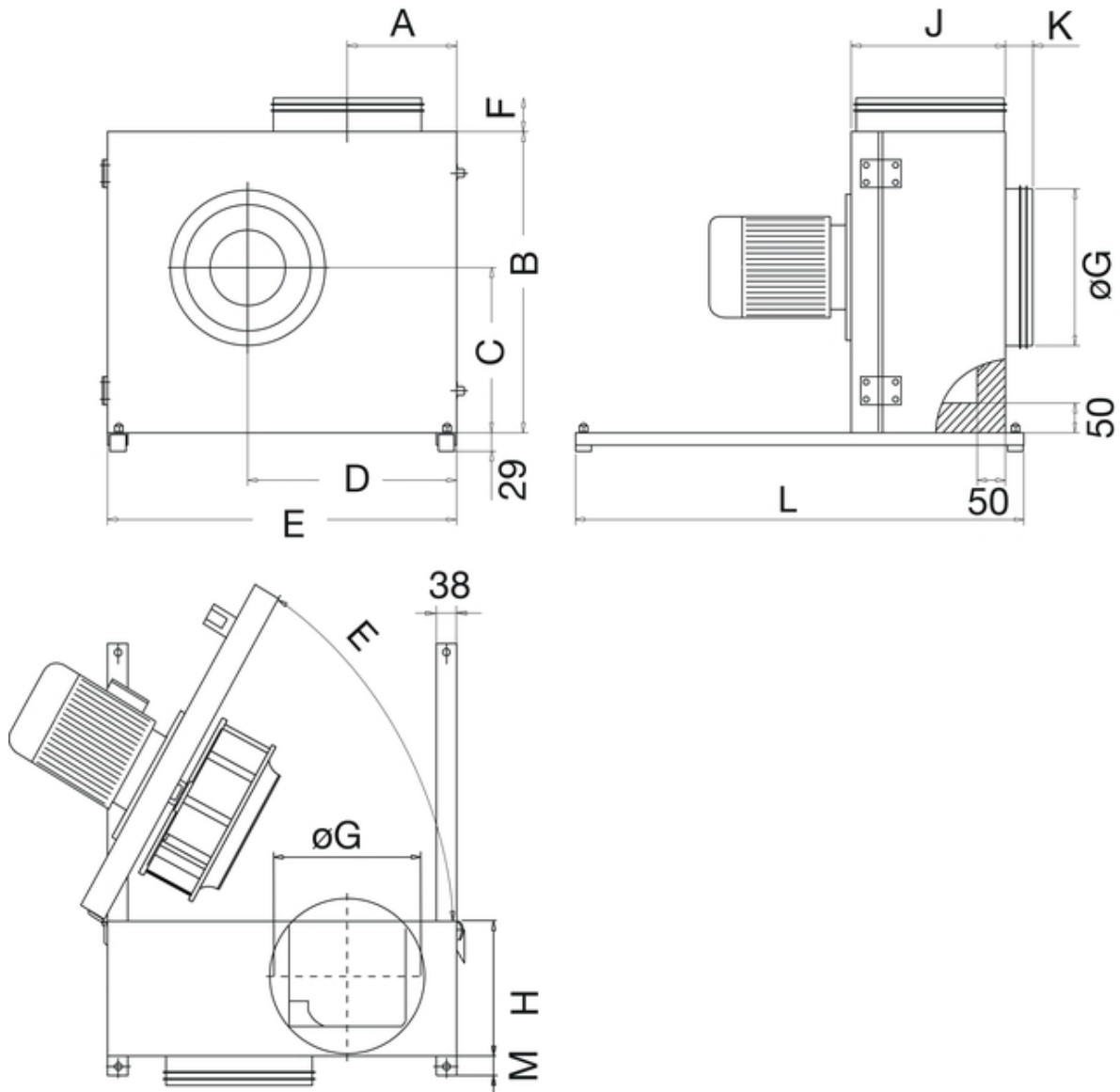


Email: [info@adremit.co.uk](mailto:info@adremit.co.uk)

### Our Address

Puravent, Adremit Limited, Unit 5a, Commercial Yard,  
Settle, North Yorkshire, BD24 9RH

Dimensions



| KBR | A     | B   | C   | D   | E   | F   | $\varnothing G$ | H   | J   | K  | L   | M  |
|-----|-------|-----|-----|-----|-----|-----|-----------------|-----|-----|----|-----|----|
| 315 | 187,5 | 600 | 339 | 398 | 690 | 125 | 315             | 249 | 307 | 70 | 770 | 55 |

Name: **KBR 315E4 THERMO FAN** | Item no.: **33749**

Document type: **Product card** | Document date: **2019-07-16** | Generated by: **Online catalogue**

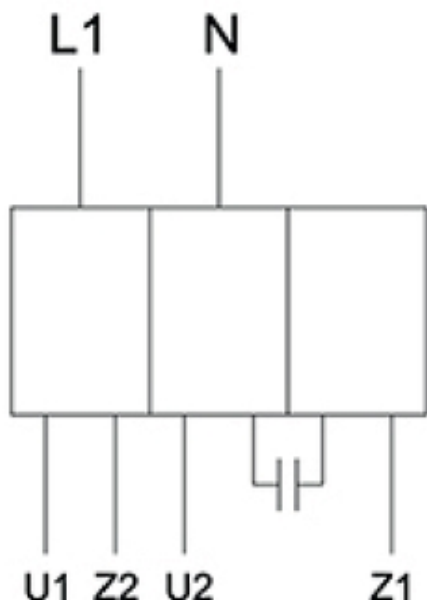
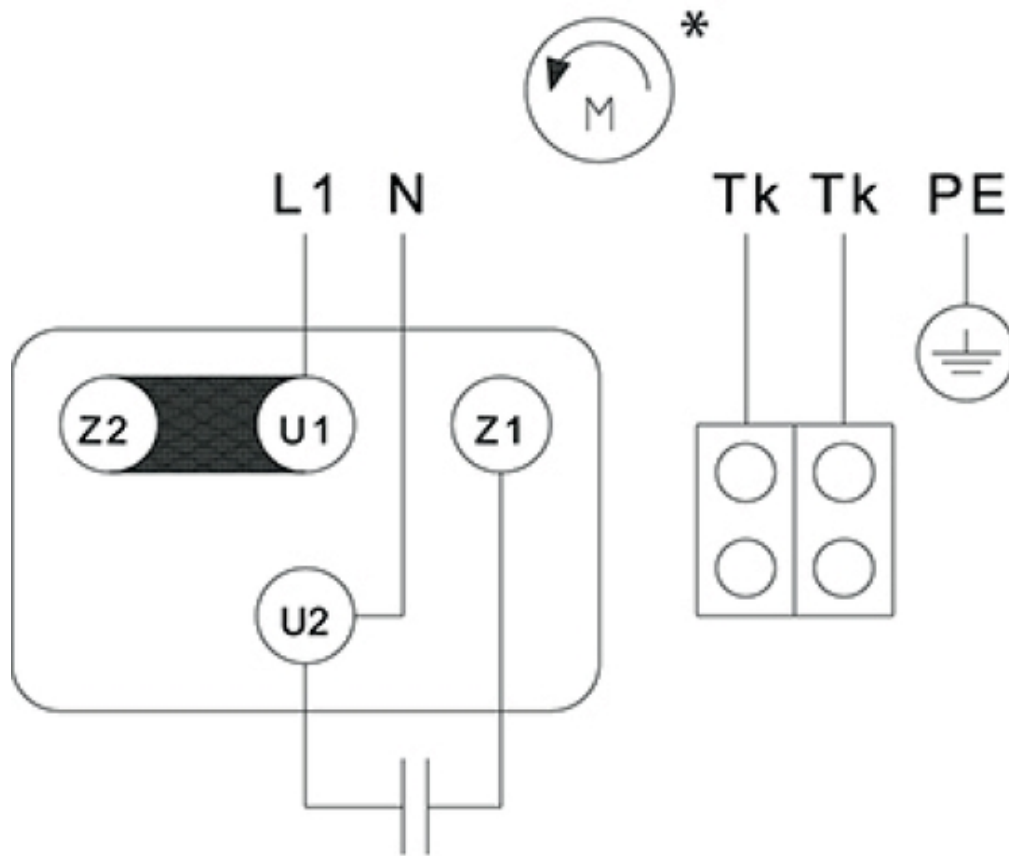
Get In Touch

Call: [0845 6880112](tel:08456880112)  
 Email: [info@adremit.co.uk](mailto:info@adremit.co.uk)

Our Address

Puravent, Adremit Limited, Unit 5a, Commercial Yard,  
 Settle, North Yorkshire, BD24 9RH

## Wiring



(\*) motor shaft rotation seen from inlet of the fan.

cir-dia\_301736 STB IEC 071B51Ph4p0,3kW\_linksdrehend\_160602\_int\_002

Name: **KBR 315E4 THERMO FAN** | Item no.: **33749**

Document type: **Product card** | Document date: **2019-07-16** | Generated by: **Online catalogue**

4 / 5

### Get In Touch

 Call: [0845 6880112](tel:08456880112)  
 Email: [info@adremit.co.uk](mailto:info@adremit.co.uk)

### Our Address

Puravent, Adremit Limited, Unit 5a, Commercial Yard,  
Settle, North Yorkshire, BD24 9RH

## Accessories

### Electric accessories

- [REU 3 Speed control \(5005\)](#)
- [RTRE 3 Speed control \(5009\)](#)
- [RT 0-30 Room Thermostat \(5151\)](#)
- [S-ET 10 Motor Protection \(5154\)](#)
- [S-ET 10E Motor Protection \(5155\)](#)
- [CO2RT-R-D Transmitter \(6993\)](#)
- [Presence detector/IR24-P \(6995\)](#)
- [DTV200 \(6261\)](#)
- [DTV500A \(96807\)](#)

### Accessories

- [ASF 315/KB Flex. connection \(2718\)](#)
- [WBK 315/355 Wall bracket \(2721\)](#)
- [ALS-KBR drain plug \(2727\)](#)
- [WSD KBR-1 Weather roof f.motor \(2728\)](#)

## Documentation



manual\_kbr\_en\_[003].pdf (3,41MB)



eu declaration of conformity\_thermofans\_en\_[002].pdf (46,39kB)

## Acoustics

|                 |       | Mid-frequency band, Hz |     |     |     |    |    |    |    |
|-----------------|-------|------------------------|-----|-----|-----|----|----|----|----|
|                 |       | Tot                    | 125 | 250 | 500 | 1k | 2k | 4k | 8k |
| LwA Inlet       | dB(A) | 77                     | 75  | 74  | 69  | 67 | 63 | 57 | 54 |
| LwA Outlet      | dB(A) | 79                     | 77  | 76  | 71  | 69 | 65 | 59 | 56 |
| LwA Surrounding | dB(A) | 59                     | 57  | 56  | 51  | 49 | 45 | 39 | 36 |

## Specification text

Name: **KBR 315E4 THERMO FAN** | Item no.: **33749**

Document type: **Product card** | Document date: **2019-07-16** | Generated by: **Online catalogue**

5 / 5

### Get In Touch



Call: [0845 6880112](tel:08456880112)



Email: [info@adremit.co.uk](mailto:info@adremit.co.uk)

### Our Address

Puravent, Adremit Limited, Unit 5a, Commercial Yard,  
Settle, North Yorkshire, BD24 9RH