



## KBR 280D2-4 THERMO FAN

Item no. 31555

Version: 4-pol

Document type: **Product card**

Document date: **2019-07-16**

Generated by: **Systemair Online Catalogue**

### Description

- Max temperature of transported air 120°C
- Speed-controllable(exept models 280D2 & 280D2-4)
- Integral thermal contacts
- Low sound level

The KBR fans have impellers manufactured from aluminum with backward-curved blades and external rotor motors. The KBR casing is manufactured from doubleskinned galvanised sheet steel and is insulated with 50 mm mineral wool.

The KBR fans have a swing-out door for easy inspection and service. The direction of the door opening can easily be changed from left to right at site. The fan is isolated from the casing via connectors and anti-vibration dampers are incorporated into the base frame.

To protect the motors from overheating the KBR fans have integral thermal contacts(KBR 280D2 & 280D2-4 with PTC) with external leads for connection to a motor protection device.



### Technical parameters

Nominal data	
Voltage	400 V
Frequency	50 Hz
Phase	3 ~
Connection	Y/YY
Input power (P1)	99,4 W
Current	0,7 A
Max. airflow	0,431 m³/s
R.p.m.	1488 r.p.m.
Weight	49 kg
Temperature data	
Max. temperature of transported air	120 °C
Sound data	
Sound pressure level at 4 m	33 dB(A)
Sound pressure level at 10 m	25 dB(A)
Protection / Classification	
Insulation class	F
Enclosure class, motor	IP55

#### Get In Touch

Call: 0845 6880112  
 Email: [info@adremit.co.uk](mailto:info@adremit.co.uk)

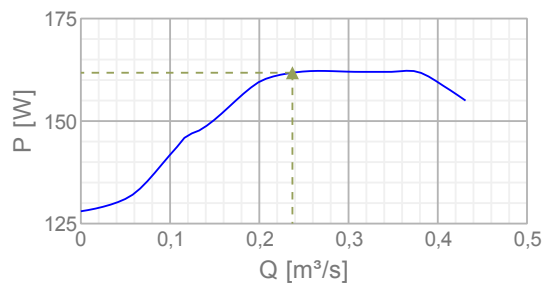
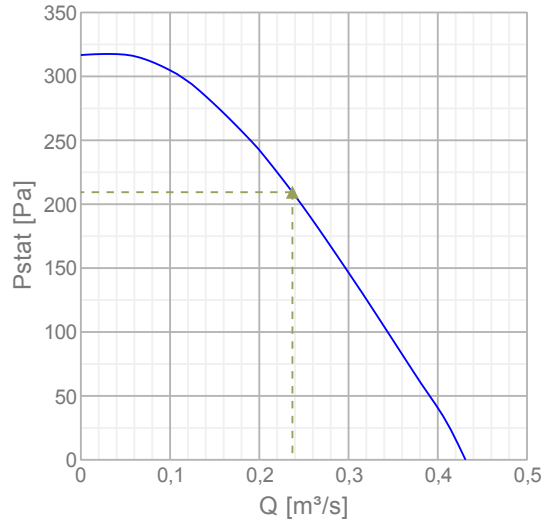
#### Our Address

Puravent, Adremit Limited, Unit 5a, Commercial Yard,  
 Settle, North Yorkshire, BD24 9RH



## Diagrams

### Diagrams



### Max efficiency

Hydraulic data	
▲ Working air flow	0,237 m³/s
▲ Working static pressure	209 Pa
▲ Power	162 W
Speed	1488 r.p.m.
Current	0,657 A
SFP	0,682 W/(l/s)
Voltage	400 V

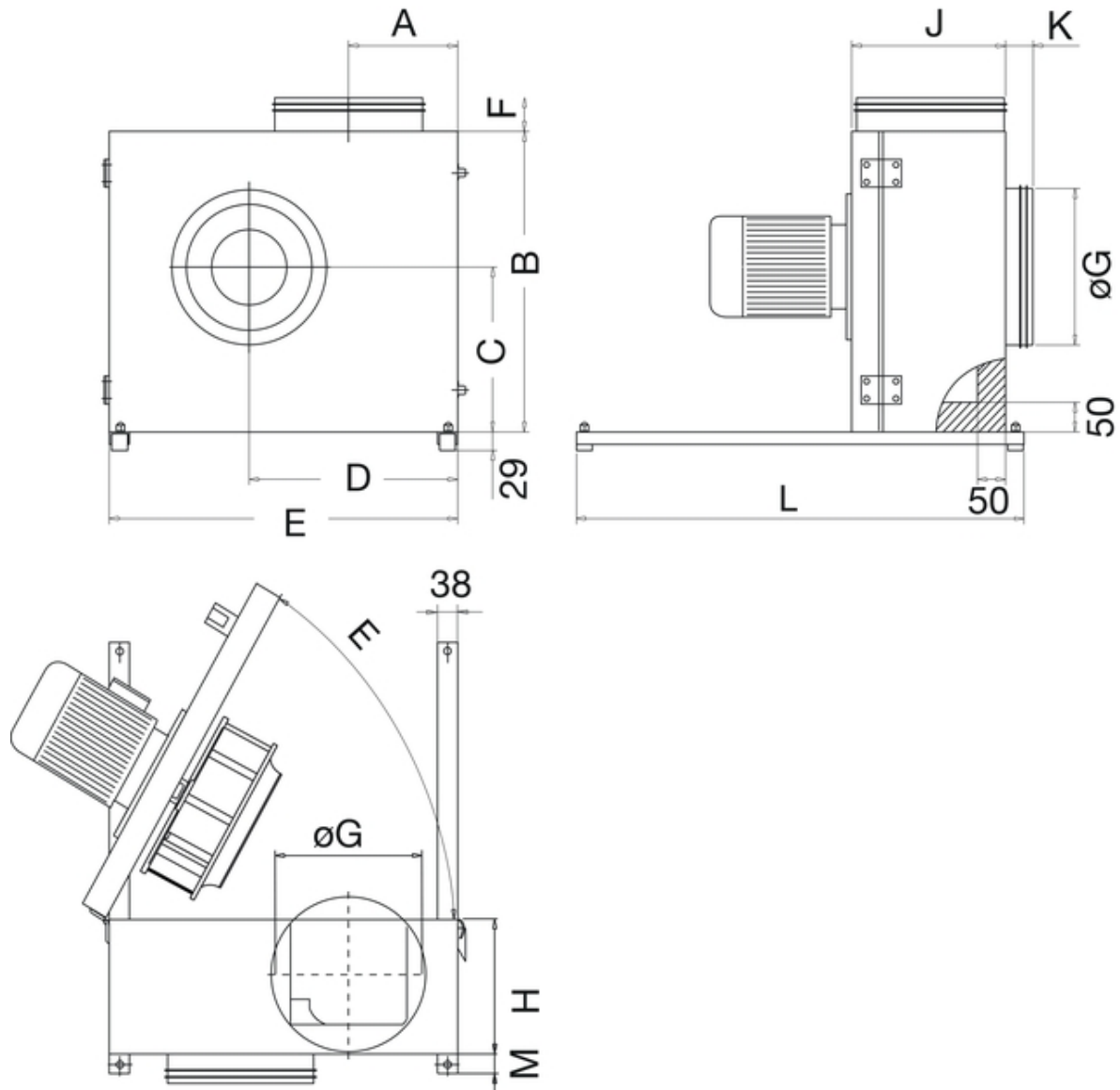
### Get In Touch

☎ Call: [0845 6880112](tel:08456880112)  
✉ Email: [info@adremit.co.uk](mailto:info@adremit.co.uk)

### Our Address

Puravent, Adremit Limited, Unit 5a, Commercial Yard,  
Settle, North Yorkshire, BD24 9RH

## Dimensions



KBR	A	B	C	D	E	F	øG	H	J	K	L	M
280	171,5	537	295	360	625	125	280	234	291	70	620	55

Name: **KBR 280D2-4 THERMO FAN** | Item no.: **31555** | Version: **4-pol**

Document type: **Product card** | Document date: **2019-07-16** | Generated by: **Online catalogue**

3 / 5

### Get In Touch

Call: [0845 6880112](tel:08456880112)  
 Email: [info@adremit.co.uk](mailto:info@adremit.co.uk)

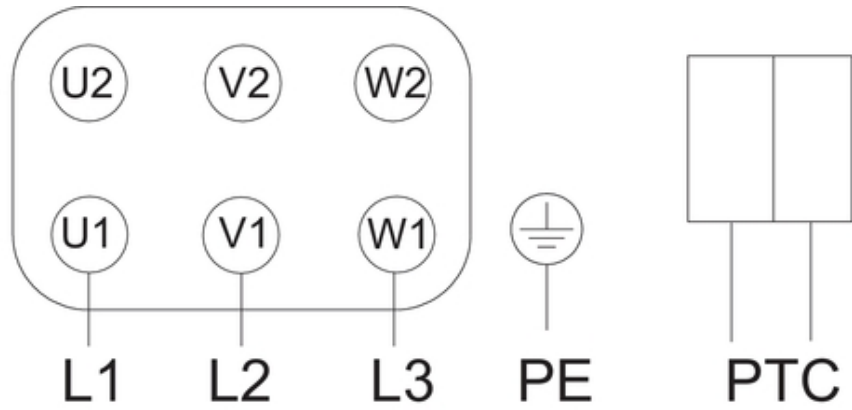
### Our Address

Puravent, Adremit Limited, Unit 5a, Commercial Yard,  
 Settle, North Yorkshire, BD24 9RH

## Wiring

Y 400V

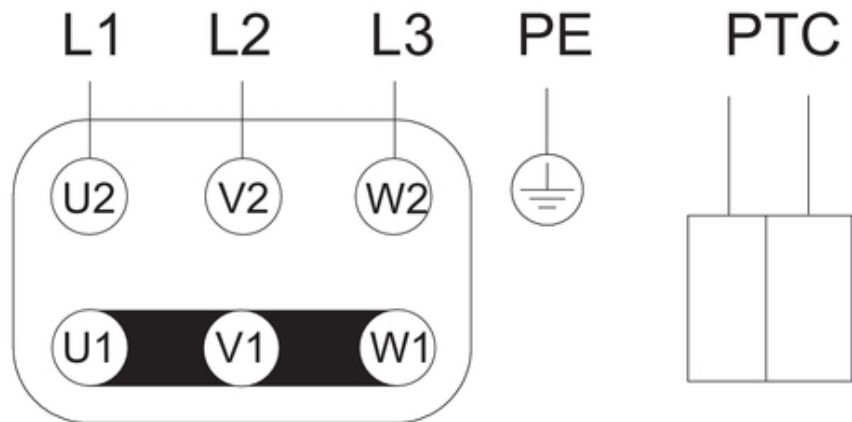
low speed



Dahlander

YY 400V

high speed



max. 2,5V

cir-dia\_kbr d2\_160511\_en\_001

## Accessories

### Electric accessories

[REV-9POL/12 ON/OFF \(33981\)](#)

[FRQ-4A V2 \(36227\)](#)

[FRQ5-4A+LED V2 \(36229\)](#)

[FRQ5S-4A+LED V2 \(36233\)](#)

[FRQS-4A V2 \(36231\)](#)

### Accessories


[ASF 280/KB Flex. connection \(2717\)](#)


[WBK 225/280 Wall bracket \(2720\)](#)

[ALS-KBR drain plug \(2727\)](#)

[WSD KBR-2 Weather roof f. motor \(2729\)](#)

## Documentation

 [manual\\_kbr\\_en\\_\[003\].pdf \(3,41MB\)](#)

 [eu declaration of conformity\\_thermofans\\_en\\_\[002\].pdf \(46,39kB\)](#)

## Acoustics

Mid-frequency band, Hz

Name: **KBR 280D2-4 THERMO FAN** | Item no.: **31555** | Version: **4-pol**

Document type: **Product card** | Document date: **2019-07-16** | Generated by: **Online catalogue**

4 / 5

## Get In Touch

 Call: [0845 6880112](tel:08456880112)  
 Email: [info@adremit.co.uk](mailto:info@adremit.co.uk)

## Our Address



Puravent, Adremit Limited, Unit 5a, Commercial Yard,  
Settle, North Yorkshire, BD24 9RH

280D4	Hz	Tot	125	250	500	1k	2k	4k	8k
LwA Inlet	dB(A)	74	68	66	62	59	57	53	49
LwA Outlet	dB(A)	76	70	68	64	61	59	55	51
LwA Surrounding	dB(A)	56	50	48	44	41	39	35	31

### Specification text

Kitchen exhaust fan for medium temperatures up to 120 °C in continuous operation, reliable, swing-out service door incl. motor section, motor outside air flow. Casing made of double-skinned galvanised steel sheet, insulated with 50 mm rock wool, non-combustible according to A1 DIN 4102. Swing-out door for easy inspection and service of impeller and motor, completely swing out to the outside. Backward curved centrifugal impeller made of aluminium. Impeller acc. to VDI 2060, balancing quality Q 6.3, dynamically balanced in two planes acc. to ISO 1940 T1. Voltage controllable internal rotor motor, standard motor IEC, outside the air flow. Integral thermal contacts with leads to a motor protection device. 2-speed, Dahlander pole changing. Terminal box fitted on the motor. Suction and discharge sided duct connection with rubber-lip seal. Top discharge. With protection plate to avoid condensate leakage. Low sound level. Indoor installation, outdoor installation with weather roof (WSD). Delivery with mounting rails and rubber vibration dampers.

#### Get In Touch

 **Call:** [0845 6880112](tel:08456880112)  
 **Email:** [info@adremit.co.uk](mailto:info@adremit.co.uk)

#### Our Address

Puravent, Adremit Limited, Unit 5a, Commercial Yard,  
 Settle, North Yorkshire, BD24 9RH