



KBR/F 355E4 SMOKE EXTR. F400

Item no. 31554

Document type: **Product card**
 Document date: **2019-07-16**
 Generated by: **Systemair Online Catalogue**

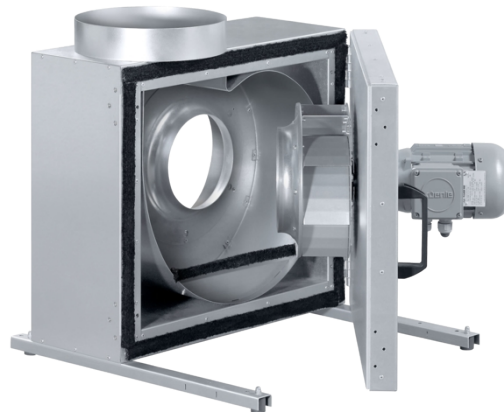
Description

- Smoke extract unit
- 400°/120 min (F400)
- Insulated casing
- Speed-controllable
- Integral thermal contacts
- Low sound level
- Tested acc. to EN 12101-3 at LGAI Barcelona.
- CE-certified acc. to EN 12101-3, 2002-06 at TÜV Süd

The KBR/F fans smoke extract unit are used in case of fire to extract smoke gases from rooms, and also during normal working conditions for standard temperature up to 200°C.

The KBR/F units have backward curved impellers made of galvanized steel expect size 355 which is a steel impeller painted RAL 9005. The unit have a swing out door for easy inspection and service. The direction of the door opening can easily be changed from left to right at site. The fan have a double isolated casing with 50 mm rockwool inside.

To protect the motors from overheating the KBR fans have integral thermal contacts with external leads for connection to a motor protection device. (Except size KBR 280 D2 and D2-4 which have integral cold conductors). In case of fire all protective devices must be bridged to guarantee functional capability.



Technical parameters

| Nominal data | | |
|---|-------|--------|
| Voltage | 230 | V |
| Frequency | 50 | Hz |
| Phase | 1 | ~ |
| Input power (P1) | 438 | W |
| Current | 2,1 | A |
| Starting current | 4,9 | A |
| Max. airflow | 0,972 | m³/s |
| R.p.m. | 1330 | r.p.m. |
| Weight | 81 | kg |
| Temperature data | | |
| Max. temperature of transported air | 200 | °C |
| Max. temp. of transported air for 120 min | 400 | °C |
| Sound data | | |
| Sound pressure level at 4 m | 44 | dB(A) |
| Sound pressure level at 10 m | 33 | dB(A) |
| Protection / Classification | | |
| Insulation class | F | |
| Enclosure class, motor | IP54 | |

Get In Touch

Call: [0845 6880112](tel:08456880112)
 Email: info@adremit.co.uk

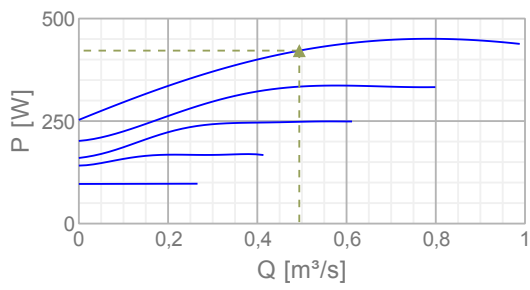
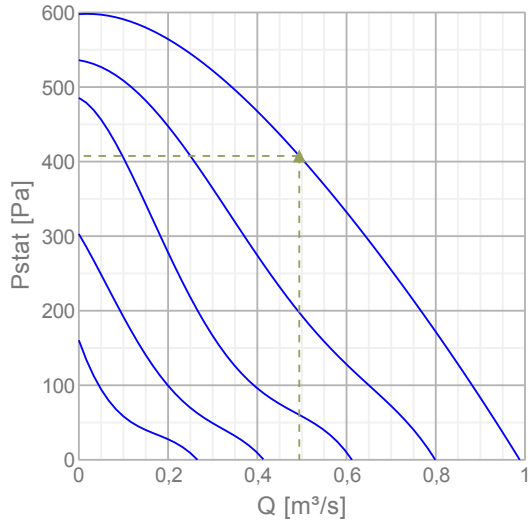
Our Address

Puravent, Adremit Limited, Unit 5a, Commercial Yard,
 Settle, North Yorkshire, BD24 9RH



Diagrams



Diagrams



Max efficiency

| Hydraulic data | |
|---------------------------|---------------|
| ▲ Working air flow | 0,494 m³/s |
| ▲ Working static pressure | 408 Pa |
| ▲ Power | 422 W |
| Speed | 1348 r.p.m. |
| Current | 1,85 A |
| SFP | 0,854 W/(l/s) |
| Voltage | 230 V |

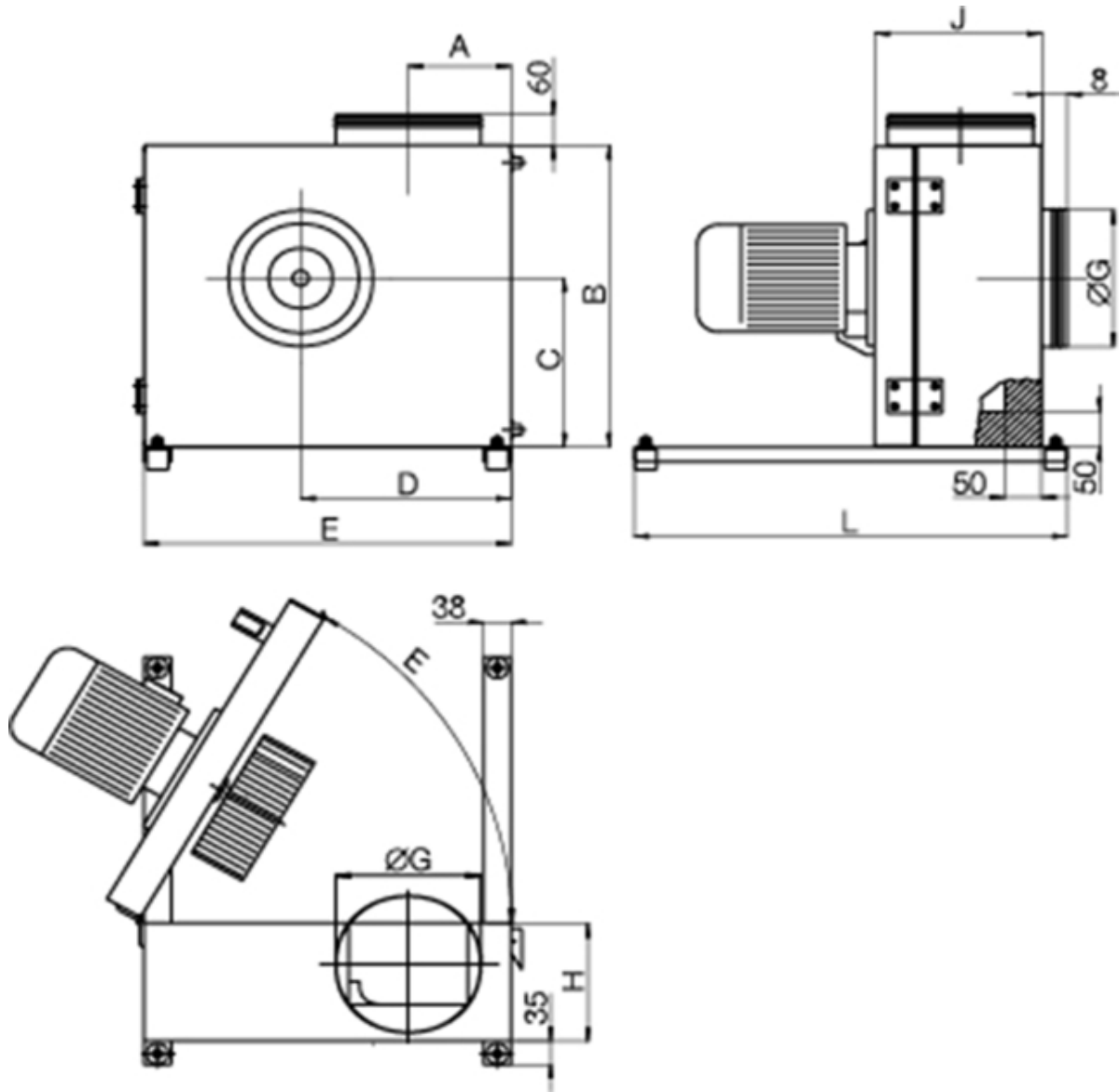
Get In Touch

 **Call:** [0845 6880112](tel:08456880112)
 **Email:** info@adremit.co.uk

Our Address

Puravent, Adremit Limited, Unit 5a, Commercial Yard,
Settle, North Yorkshire, BD24 9RH

Dimensions



| | A | B | C | D | E | ØG | H | J | L |
|-----------|-------|-----|-----|-----|-----|-----|-----|-----|-----|
| KBR/F 355 | 206,7 | 655 | 372 | 451 | 770 | 355 | 273 | 331 | 770 |

Name: **KBR/F 355E4 SMOKE EXTR. F400** | Item no.: **31554**

3 / 5

Document type: **Product card** | Document date: **2019-07-16** | Generated by: **Online catalogue**

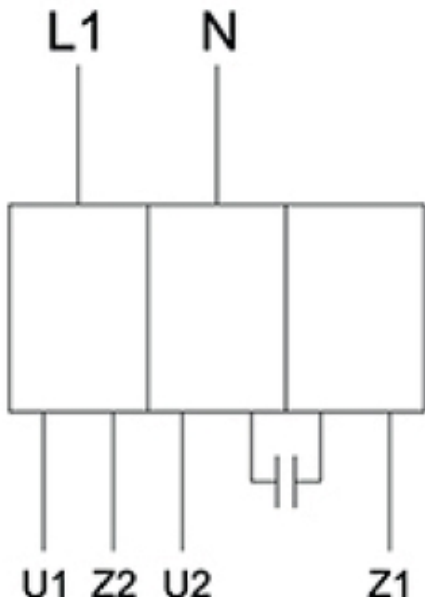
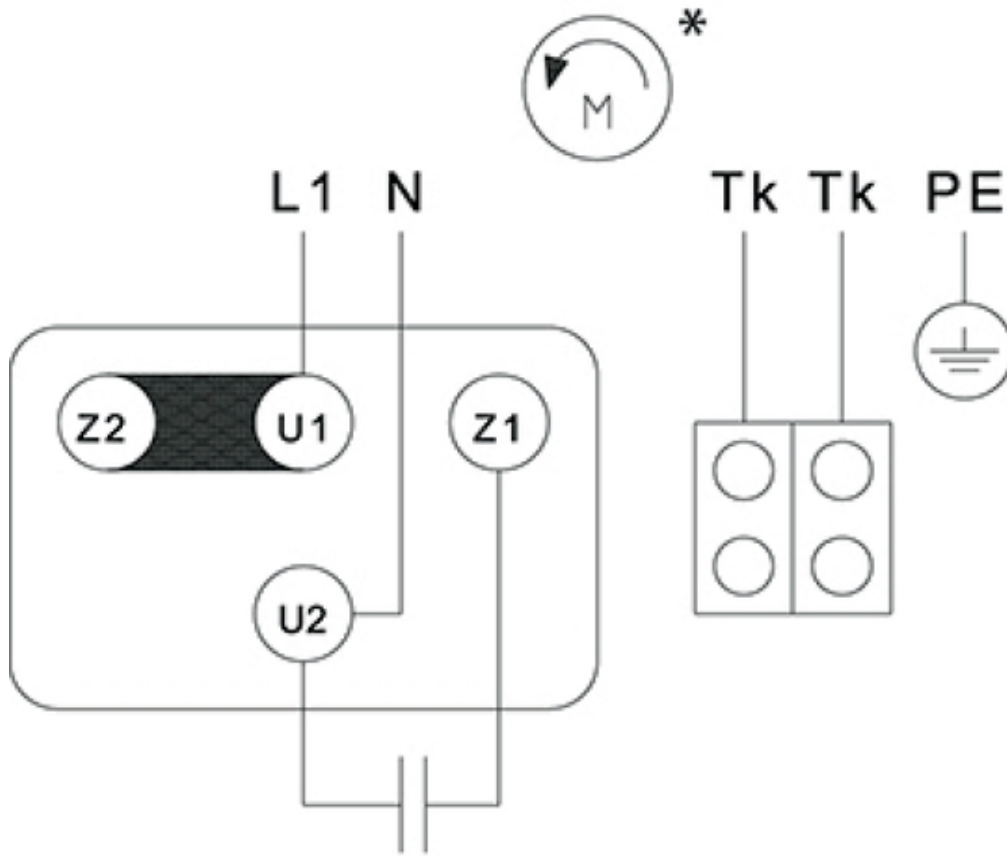
Get In Touch

Call: [0845 6880112](tel:08456880112)
 Email: info@adremit.co.uk

Our Address

Puravent, Adremit Limited, Unit 5a, Commercial Yard,
 Settle, North Yorkshire, BD24 9RH

Wiring



(*) motor shaft rotation seen from inlet of the fan

cir-dia_301736 STB IEC 071B51Ph4p0,3kW_linksdrehend_160602_int_002

Get In Touch

Call: [0845 6880112](tel:08456880112)
Email: info@adremit.co.uk

Our Address

Puravent, Adremit Limited, Unit 5a, Commercial Yard,
Settle, North Yorkshire, BD24 9RH

Accessories


Electric accessories


[REU 3 Speed control \(5005\)](#)
[RTRE 3 Speed control \(5009\)](#)
[REPT 6 Digital regulator \(5698\)](#)
[RT 0-30 Room Thermostat \(5151\)](#)
[S-ET 10 Motor Protection \(5154\)](#)
[S-ET 10E Motor Protection \(5155\)](#)
[CO2RT-R-D Transmitter \(6993\)](#)
[Presence detector/IR24-P \(6995\)](#)
[DTV200 \(6261\)](#)
[REV-3POL/03 ON/OFF \(33978\)](#)
[REV-5POL/05 ON/OFF \(33979\)](#)
[DTV500A \(96807\)](#)

Accessories


[WBK 315/355 Wall bracket \(2721\)](#)
[WSD KBR-1 Weather roof f.motor \(2728\)](#)
[UGF 355 Transition flange \(305494\)](#)
[LRK 355\(F\) air oper. damper \(8317\)](#)
[RSA 355/355/070 \(F\) \(311349\)](#)
[RSA 355/532.5/070 \(F\) \(311350\)](#)
[RSA 355/710/070 \(F\) \(311351\)](#)
[EVH 355 flex.conn. AXC 400°C \(8365\)](#)

Documentation

 [manual_kbr_en_\[003\].pdf \(3,41MB\)](#)

 [KBR_F 280-355_EN.pdf \(948,90kB\)](#)

 [ec-dec_kbr\(f\) mub\(f\)_160414_DE,GB_002_ab 20. April.pdf \(556,83kB\)](#)

 [dop_kbr\(f\)_en_002.pdf \(63,52kB\)](#)

Acoustics

Mid-frequency band, Hz

| 355 E4 | Hz | Tot | 125 | 250 | 500 | 1k | 2k | 4k | 8k |
|-----------------|-------|-----|-----|-----|-----|----|----|----|----|
| LwA Inlet | dB(A) | 82 | 80 | 79 | 74 | 72 | 68 | 62 | 59 |
| LwA Outlet | dB(A) | 84 | 82 | 81 | 76 | 74 | 70 | 64 | 61 |
| LwA Surrounding | dB(A) | 64 | 62 | 61 | 56 | 54 | 50 | 44 | 41 |

Measuring point: $qv = 0,42 \text{ m}^3/\text{s}$, $Ps = 465 \text{ Pa}$

Specification text

Name: **KBR/F 355E4 SMOKE EXTR. F400** | Item no.: **31554**

Document type: **Product card** | Document date: **2019-07-16** | Generated by: **Online catalogue**

5 / 5

Get In Touch



Call: [0845 6880112](tel:08456880112)



Email: info@adremit.co.uk

Our Address

Puravent, Adremit Limited, Unit 5a, Commercial Yard,
Settle, North Yorkshire, BD24 9RH