



KBR/F 355D2/K IE3 EXT F400

Item no. 87942

Document type: **Product card**
 Document date: **2019-07-16**
 Generated by: **Systemair Online Catalogue**

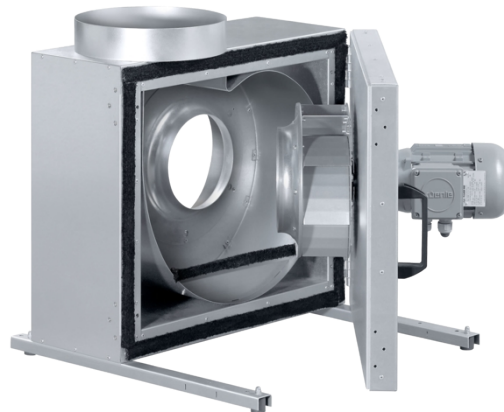
Description

- Max temperature of transported air 200°C
- Speed-controllable via frequency converter
- Integral cold conductor (PTC)
- Low sound level
- Standard motor outside the air stream
- Easy to maintain and reliable

The KBR/F fans have impellers manufactured from galvanised steel with backward-curved blades and external rotor motors. The KBR/F casing is manufactured from doubleskinned galvanised sheet steel and is insulated with 50 mm mineral wool.

The KBR/F fans have a swing-out door for easy inspection and service. The fan is isolated from the casing via connectors and anti-vibration dampers are incorporated into the base frame.

To protect the motors from overheating the KBR/F fans have integral cold conductor (PTC)with external leads for connection to a motor protection device.



Technical parameters

Nominal data		
Voltage	400	V
Frequency	50	Hz
Phase	3	~
Input power (P1)	2138	W
Current	3,57	A
Starting current	30,9	A
Max. airflow	1,64	m³/s
R.p.m.	2928	r.p.m.
Weight	79,2	kg
Temperature data		
Max. temperature of transported air	200	°C
Max. temp. of transported air for 120 min	400	°C
Sound data		
Sound pressure level at 4 m	53	dB(A)
Sound pressure level at 10 m	45	dB(A)
Protection / Classification		
Insulation class		F
Enclosure class, motor		IP55

Get In Touch

Call: [0845 6880112](tel:08456880112)
 Email: info@adremit.co.uk

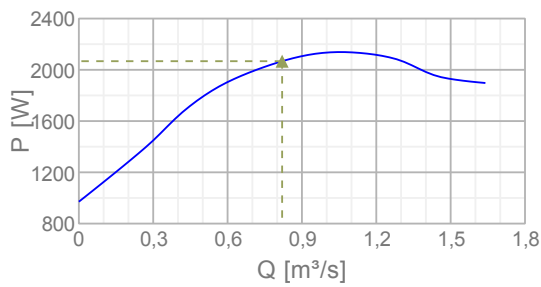
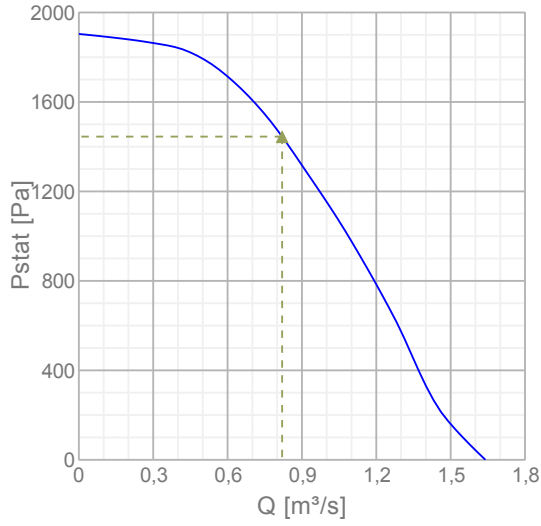
Our Address

Puravent, Adremit Limited, Unit 5a, Commercial Yard,
 Settle, North Yorkshire, BD24 9RH



Diagrams

Diagrams



Max efficiency

Hydraulic data											
▲ Working air flow										0,82 m³/s	
▲ Working static pressure										1445 Pa	
▲ Power										2067 W	
Speed										2930 r.p.m.	
Current										3,48 A	
SFP										2,52 W/(l/s)	
Voltage										400 V	
Sound power level			63	125	250	500	1k	2k	4k	8k	Tot
Inlet	dB(A)		49	61	67	76	75	71	65	57	80
Outlet	dB(A)		50	62	68	78	76	73	67	58	81

Name: **KBR/F 355D2/K IE3 EXT F400** | Item no.: **87942**

2 / 5

Document type: **Product card** | Document date: **2019-07-16** | Generated by: **Online catalogue**

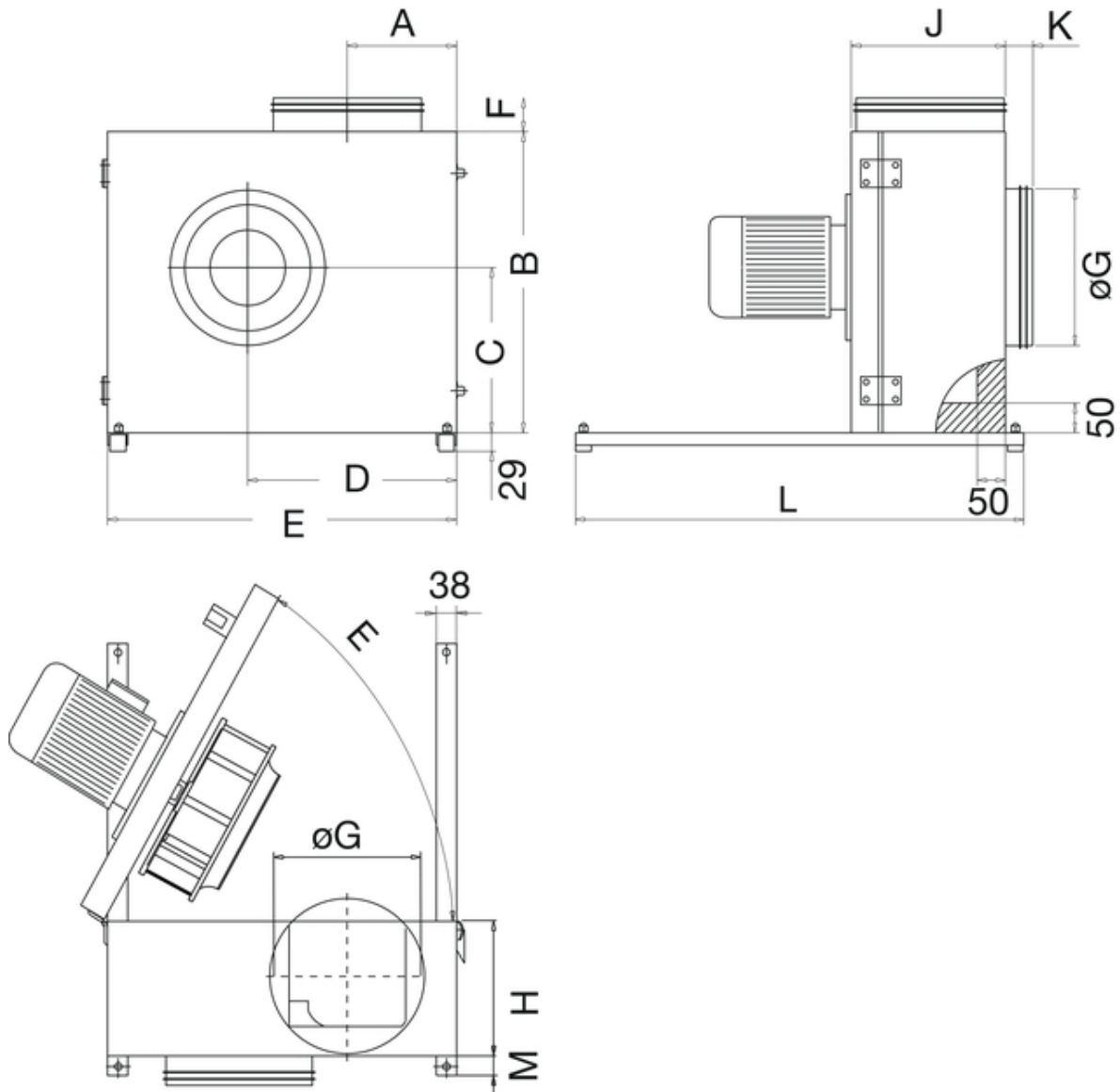
Get In Touch

Call: [0845 6880112](tel:08456880112)
 Email: info@adremit.co.uk

Our Address

Puravent, Adremit Limited, Unit 5a, Commercial Yard,
 Settle, North Yorkshire, BD24 9RH

Dimensions



KBR	A	B	C	D	E	F	øG	H	J	K	L	M
355	206,7	655	372	451	770	125	355	273	331	70	770	55

Name: **KBR/F 355D2/K IE3 EXT F400** | Item no.: **87942**

Document type: **Product card** | Document date: **2019-07-16** | Generated by: **Online catalogue**

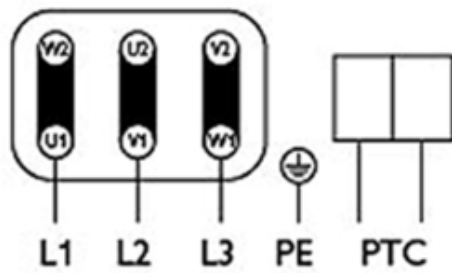
Get In Touch

Call: [0845 6880112](tel:08456880112)
 Email: info@adremit.co.uk

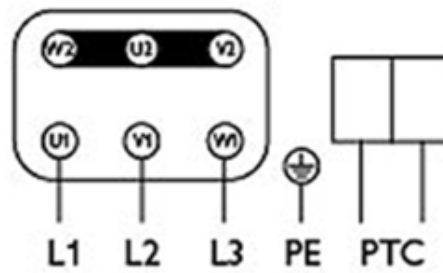
Our Address

Puravent, Adremit Limited, Unit 5a, Commercial Yard,
 Settle, North Yorkshire, BD24 9RH

Dreiphasenmotor mit Kaltleiter
Three phase motor with cold conductor
Moteur triphasé avec résistance PTC



3 x 230V
D Schaltung
Delta connection
Branchement en triangle



3 x 400V
Y Schaltung
Star connection
Branchement en étoile

Drehrichtungsänderung durch Vertauschen von 2 Phasen
Changing of direction of rotation by interchanging of two phases
Changement de sens de rotation par inversion de deux phases

Typenschild beachten! See label! Voir plaque!

Accessories





Electric accessories

- [Trigger unit U-EK230E \(30199\)](#)
- [REV-5POL/05 ON/OFF \(33979\)](#)
- [REV-5POL/05 incl. EMC KIT \(34549\)](#)
- [FXDM5AM Frequency inv. IP54 \(31387\)](#)



Accessories

- [ASF 355/KB Flex. connection \(2719\)](#)
- [WBK 315/355 Wall bracket \(2721\)](#)
- [ALS-KBR drain plug \(2727\)](#)
- [WSD KBR-2 Weather roof f.motor \(2729\)](#)
- [UGF 355 Transition flange \(305494\)](#)
- [LRK 355\(F\) air oper. damper \(8317\)](#)
- [RSA 355/355/070 \(F\) \(311349\)](#)
- [RSA 355/532.5/070 \(F\) \(311350\)](#)
- [RSA 355/710/070 \(F\) \(311351\)](#)
- [EVH 355 flex.conn. AXC 400°C \(8365\)](#)

Documentation

-  [manual_kbr_en_\[003\].pdf \(3,41MB\)](#)
-  [KBR_F 280-355_EN.pdf \(948,90kB\)](#)
-  [ec-dec_kbr\(f\) mub\(f\)_160414_DE,GB_002_ab 20. April.pdf \(556,83kB\)](#)
-  [dop_kbr\(f\)_en_002.pdf \(63,52kB\)](#)

Get In Touch

-  **Call:** [0845 6880112](tel:08456880112)
-  **Email:** info@adremit.co.uk

Our Address

Puravent, Adremit Limited, Unit 5a, Commercial Yard,
 Settle, North Yorkshire, BD24 9RH



Specification text

Name: **KBR/F 355D2/K IE3 EXT F400** | Item no.: **87942**

5 / 5

Document type: **Product card** | Document date: **2019-07-16** | Generated by: **Online catalogue**

Get In Touch



Call: [0845 6880112](tel:08456880112)



Email: info@adremit.co.uk

Our Address

Puravent, Adremit Limited, Unit 5a, Commercial Yard,
Settle, North Yorkshire, BD24 9RH