



KBR/F 315D2 IE3 SM EXT F400

Item no. 87940

Document type: **Product card**
 Document date: **2019-07-16**
 Generated by: **Systemair Online Catalogue**

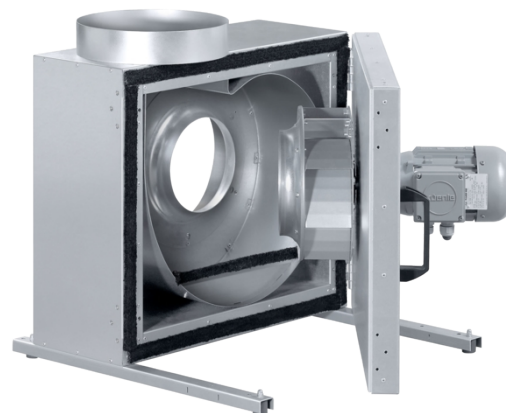
Description

- Max temperature of transported air 200°C
- Speed-controllable via frequency converter
- Integral cold conductor (PTC)
- Low sound level
- Standard motor outside the air stream
- Easy to maintain and reliable

The KBR/F fans have impellers manufactured from galvanised steel with backward-curved blades and external rotor motors. The KBR/F casing is manufactured from doubleskinned galvanised sheet steel and is insulated with 50 mm mineral wool.

The KBR/F fans have a swing-out door for easy inspection and service. The fan is isolated from the casing via connectors and anti-vibration dampers are incorporated into the base frame.

To protect the motors from overheating the KBR/F fans have integral cold conductor (PTC)with external leads for connection to a motor protection device.



Technical parameters

Nominal data		
Voltage	400	V
Frequency	50	Hz
Phase	3	~
Input power (P1)	1215	W
Current	2,18	A
Starting current	22,4	A
Max. airflow	1,15	m³/s
R.p.m.	2940	r.p.m.
Weight	65,2	kg
Temperature data		
Max. temperature of transported air	200	°C
Max. temp. of transported air for 120 min	400	°C
Sound data		
Sound pressure level at 4 m	50	dB(A)
Sound pressure level at 10 m	42	dB(A)
Protection / Classification		
Insulation class	F	
Enclosure class, motor	IP55	

Get In Touch

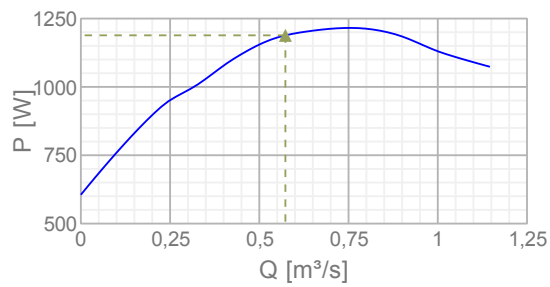
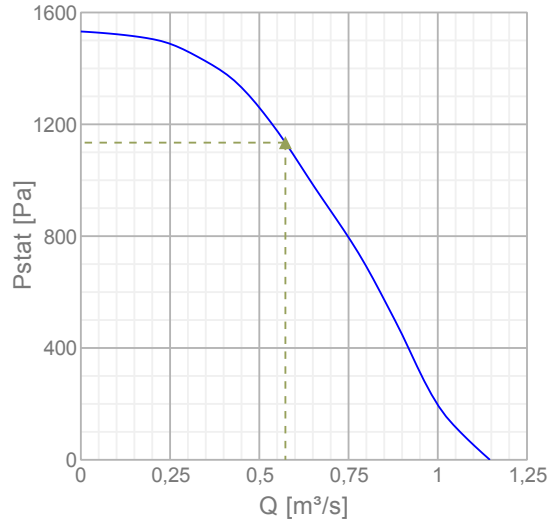
Call: [0845 6880112](tel:08456880112)
 Email: info@adremit.co.uk

Our Address

Puravent, Adremit Limited, Unit 5a, Commercial Yard,
 Settle, North Yorkshire, BD24 9RH

Diagrams

Diagrams



Max efficiency

Hydraulic data											
▲ Working air flow	0,573 m³/s										
▲ Working static pressure	1134 Pa										
▲ Power	1189 W										
Speed	2938 r.p.m.										
Current	2,15 A										
SFP	2,07 W/(l/s)										
Voltage	400 V										
Sound power level	63	125	250	500	1k	2k	4k	8k	Tot		
Inlet	dB(A)		53	58	64	72	73	72	73	68	79
Outlet	dB(A)		55	59	66	73	75	73	74	69	81

Name: **KBR/F 315D2 IE3 SM EXT F400** | Item no.: **87940**

2 / 5

Document type: **Product card** | Document date: **2019-07-16** | Generated by: **Online catalogue**

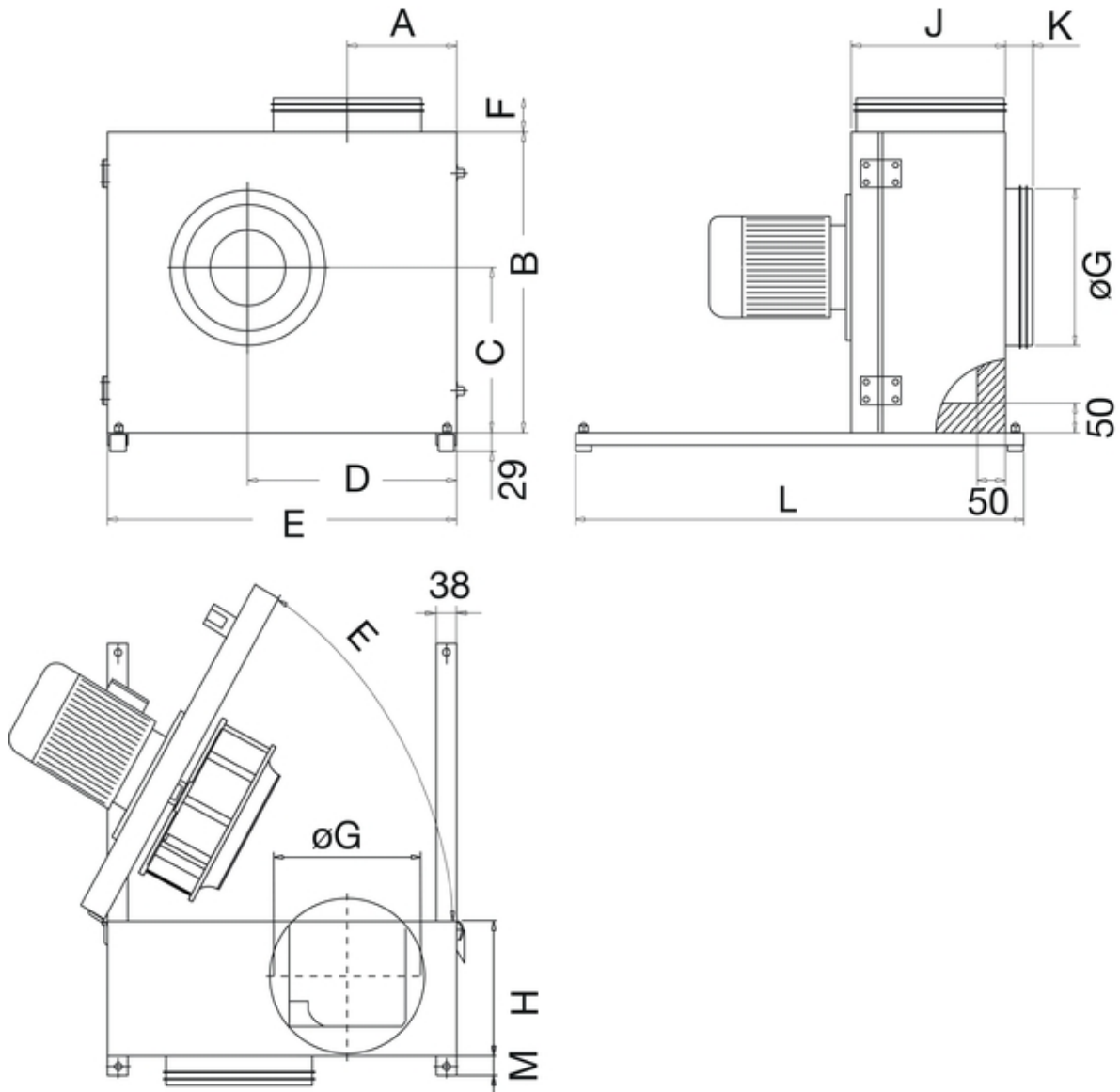
Get In Touch

Call: [0845 6880112](tel:08456880112)
 Email: info@adremit.co.uk

Our Address

Puravent, Adremit Limited, Unit 5a, Commercial Yard,
 Settle, North Yorkshire, BD24 9RH

Dimensions



KBR	A	B	C	D	E	F	øG	H	J	K	L	M
315	187,5	600	339	398	690	125	315	249	307	70	770	55

Name: **KBR/F 315D2 IE3 SM EXT F400** | Item no.: **87940**

3 / 5

Document type: **Product card** | Document date: **2019-07-16** | Generated by: **Online catalogue**

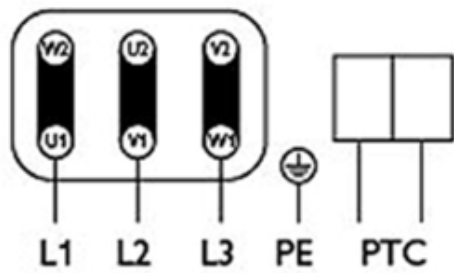
Get In Touch

Call: [0845 6880112](tel:08456880112)
 Email: info@adremit.co.uk

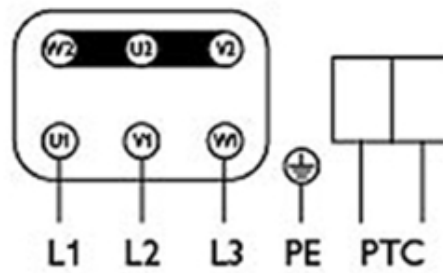
Our Address

Puravent, Adremit Limited, Unit 5a, Commercial Yard,
 Settle, North Yorkshire, BD24 9RH

Dreiphasenmotor mit Kaltleiter
Three phase motor with cold conductor
Moteur triphasé avec résistance PTC



3 x 230V
 D Schaltung
 Delta connection
 Branchement en triangle



3 x 400V
 Y Schaltung
 Star connection
 Branchement en étoile

Drehrichtungsänderung durch Vertauschen von 2 Phasen
 Changing of direction of rotation by interchanging of two phases
 Changment de sens de rotation par inversion de deux phases

Typenschild beachten! See label! Voir plaque!

Accessories





Electric accessories

- [Trigger unit U-EK230E \(30199\)](#)
- [REV-5POL/05 ON/OFF \(33979\)](#)
- [REV-5POL/05 incl. EMC KIT \(34549\)](#)
- [FXDM5AM Frequency inv. IP54 \(31387\)](#)



Accessories

- [ASF 315/KB Flex. connection \(2718\)](#)
- [WBK 315/355 Wall bracket \(2721\)](#)
- [ALS-KBR drain plug \(2727\)](#)
- [WSD KBR-2 Weather roof f.motor \(2729\)](#)
- [UGF 315 Transition flange \(305493\)](#)
- [LRK 315\(F\) air oper. damper \(8316\)](#)
- [RSA 315/315/070 \(F\) \(311346\)](#)
- [RSA 315/472.5/070 \(F\) \(311347\)](#)
- [RSA 315/630/070 \(F\) \(311348\)](#)
- [EVH 315 flex.conn. AXC 400°C \(8364\)](#)

Documentation

-  [manual_kbr_en_\[003\].pdf \(3,41MB\)](#)
-  [KBR_F 280-355_EN.pdf \(948,90kB\)](#)
-  [ec-dec_kbr\(f\) mub\(f\)_160414_DE,GB_002_ab 20. April.pdf \(556,83kB\)](#)
-  [dop_kbr\(f\)_en_002.pdf \(63,52kB\)](#)

Get In Touch

-  **Call:** [0845 6880112](tel:08456880112)
-  **Email:** info@adremit.co.uk

Our Address

Puravent, Adremit Limited, Unit 5a, Commercial Yard,
 Settle, North Yorkshire, BD24 9RH



Specification text

Name: **KBR/F 315D2 IE3 SM EXT F400** | Item no.: **87940**

5 / 5

Document type: **Product card** | Document date: **2019-07-16** | Generated by: **Online catalogue**

Get In Touch



Call: [0845 6880112](tel:08456880112)



Email: info@adremit.co.uk

Our Address

Puravent, Adremit Limited, Unit 5a, Commercial Yard,
Settle, North Yorkshire, BD24 9RH