



KBR/F 280D2-4 SMOKE EXTR. F400

Item no. 31588

Version: 2-pol

Document type: **Product card**

Document date: **2019-07-16**

Generated by: **Systemair Online Catalogue**

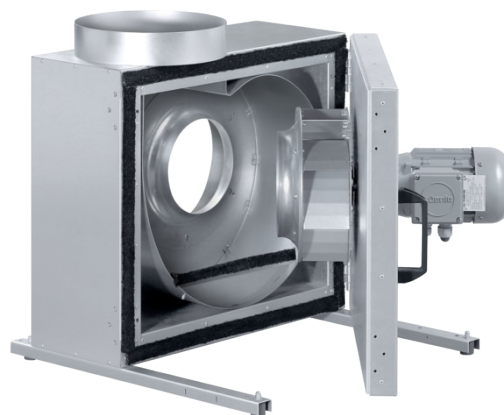
Description

- Smoke extract unit
- 400°/120 min (F400)
- Insulated casing
- Speed-controllable
- Integral thermal contacts
- Low sound level
- Tested acc. to EN 12101-3 at LGAI Barcelona.
- CE-certified acc. to EN 12101-3, 2002-06 at TÜV Süd

The KBR/F fans smoke extract unit are used in case of fire to extract smoke gases from rooms, and also during normal working conditions for standard temperature up to 200°C.

The KBR/F units have backward curved impellers made of galvanized steel expect size 355 which is a steel impeller painted RAL 9005. The unit have a swing out door for easy inspection and service. The direction of the door opening can easily be changed from left to right at site. The fan have a double isolated casing with 50 mm rockwool inside.

To protect the motors from overheating the KBR fans have integral thermal contacts with external leads for connection to a motor protection device. (Except size KBR 280 D2 and D2-4 which have integral cold conductors). In case of fire all protective devices must be bridged to guarantee functional capability.



Technical parameters

Nominal data		
Voltage	400	V
Frequency	50	Hz
Phase	3	~
Input power (P1)	783	W
Current	1,2	A
Starting current	11,4	A
Max. airflow	0,82	m³/s
R.p.m.	2796	r.p.m.
Weight	58	kg
Temperature data		
Max. temperature of transported air	200	°C
Max. temp. of transported air for 120 min	400	°C
Sound data		
Sound pressure level at 4 m	44	dB(A)
Sound pressure level at 10 m	36	dB(A)

Get In Touch

Call: [0845 6880112](tel:08456880112)
 Email: info@adremit.co.uk

Our Address

Puravent, Adremit Limited, Unit 5a, Commercial Yard,
 Settle, North Yorkshire, BD24 9RH

Protection / Classification

Insulation class

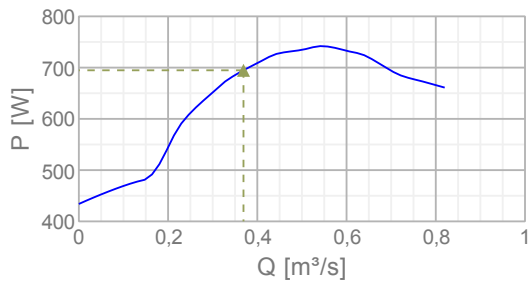
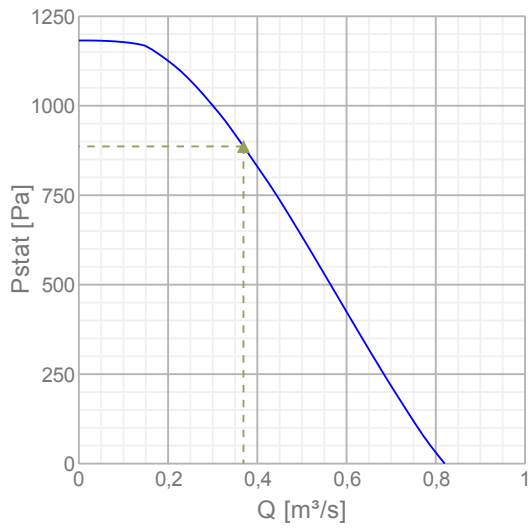
F

Enclosure class, motor

IP55

Diagrams

Diagrams



Max efficiency

Hydraulic data	
▲ Working air flow	0,369 m³/s
▲ Working static pressure	886 Pa
▲ Power	695 W
Speed	2806 r.p.m.
Current	1,06 A
SFP	1,88 W/(l/s)
Voltage	400 V

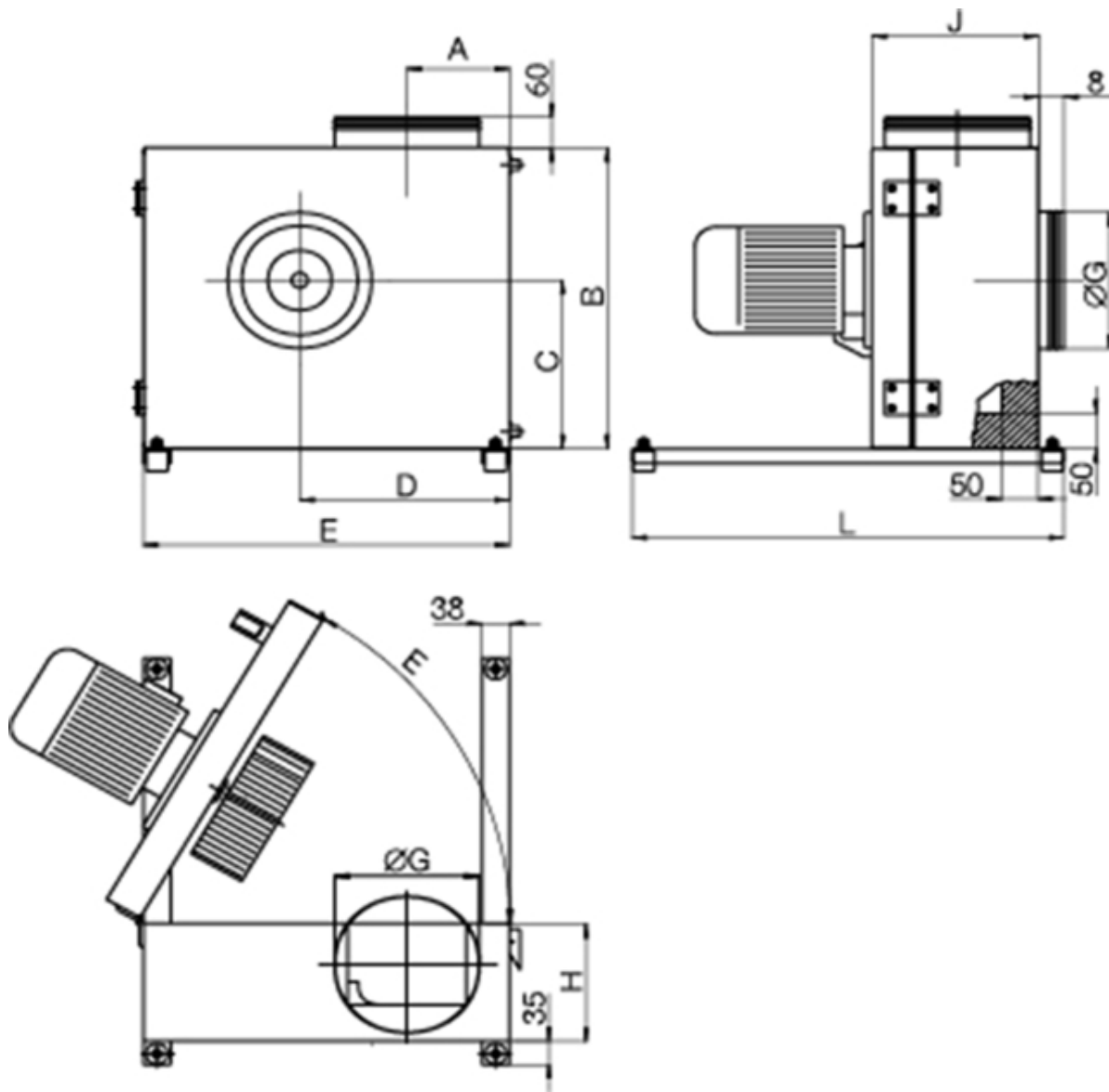
Get In Touch

Call: [0845 6880112](tel:08456880112)
Email: info@adremit.co.uk

Our Address



Puravent, Adremit Limited, Unit 5a, Commercial Yard,
Settle, North Yorkshire, BD24 9RH

Dimensions



	A	B	C	D	E	ØG	H	J	L
KBR/F 280	171,5	537	295	360	625	280	234	291	620

Get In Touch

 Call: [0845 6880112](tel:08456880112)
 Email: info@adremit.co.uk

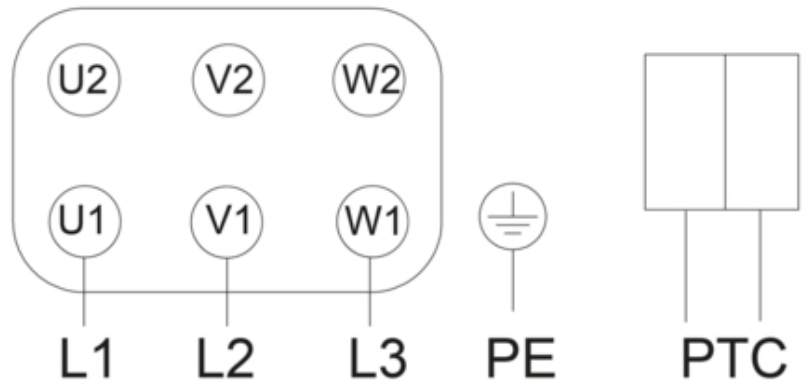
Our Address

Puravent, Adremit Limited, Unit 5a, Commercial Yard,
Settle, North Yorkshire, BD24 9RH

Wiring

Y 400V

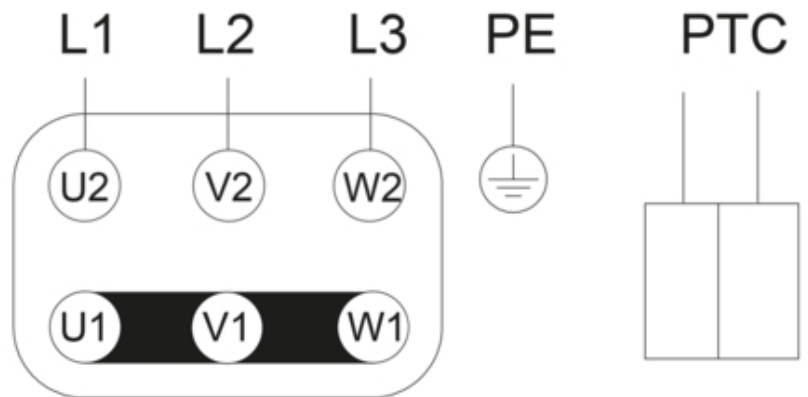
low speed



Dahlander

YY 400V

high speed



max. 2,5V

cir-dia_kbr d2_160511_en_001

Accessories

Electric accessories

[Trigger unit U-EK230E \(30199\)](#)

[REV-5POL/05 ON/OFF \(33979\)](#)

[REV-5POL/05 incl. EMC KIT \(34549\)](#)

Accessories

[WBK 225/280 Wall bracket \(2720\)](#)

[WSD KBR-2 Weather roof f.motor \(2729\)](#)

[UGF 280 Transition flange \(305492\)](#)

[LRK 315\(F\) air oper. damper \(8316\)](#)


[RSA 315/315/070 \(F\) \(311346\)](#)


[RSA 315/472.5/070 \(F\) \(311347\)](#)

[RSA 315/630/070 \(F\) \(311348\)](#)


[EVH 315 flex.conn. AXC 400°C \(8364\)](#)

Documentation

 [manual_kbr_en_\[003\].pdf \(3,41MB\)](#)

 [KBR_F 280-355_EN.pdf \(948,90kB\)](#)

 [ec-dec_kbr\(f\) mub\(f\)_160414_DE,GB_002_ab 20. April.pdf \(556,83kB\)](#)

 [dop_kbr\(f\)_en_002.pdf \(63,52kB\)](#)

Name: **KBR/F 280D2-4 SMOKE EXTR. F400** | Item no.: **31588** | Version: **2-pol**

Document type: **Product card** | Document date: **2019-07-16** | Generated by: **Online catalogue**

4 / 5

Get In Touch



Call: [0845 6880112](tel:08456880112)



Email: info@adremit.co.uk

Our Address

Puravent, Adremit Limited, Unit 5a, Commercial Yard,
Settle, North Yorkshire, BD24 9RH

Acoustics

Mid-frequency band, Hz

280D2	Hz	Tot	125	250	500	1k	2k	4k	8k
LwA Inlet	dB(A)	86	80	78	74	71	69	65	61
LwA Outlet	dB(A)	88	82	80	76	73	71	67	61
LwA Surrounding	dB(A)	67	61	59	55	52	50	46	42

Measuring point: $q_v = 0,42 \text{ m}^3/\text{s}$, $P_s = 800 \text{ Pa}$

Specification text

The KBR/F smoke extract units are provided for extracting the fumes in case of a burning (120min/400°C). The product line of the KBR/F fans can also be used for a temperature of transported air till 150 degree in continuous duty. The smoke extract units have swinging doors for making maintenance work and cleaning work easier. The door stop position can be changed from left to right. The fan has a noise- reduced box with 50 millimetre mineral wool. The impellers have a backwards curved blades made out of electroplated steel plate. For protecting the motor a barretter is built in. The fan is speed- controllible. Tested according to EN 12101- 3. CE- Certification according to EN 12101-3 ;2002-06 through TÜV South.

Get In Touch



Call: [0845 6880112](tel:08456880112)



Email: info@adremit.co.uk

Our Address

Puravent, Adremit Limited, Unit 5a, Commercial Yard,
Settle, North Yorkshire, BD24 9RH