



Infrasmart IP67

Infrasmart IP24



Infrasmart

Halogen infrared heater with smart functions

Infrasmart is a compact, halogen infrared heater which can be controlled via an app, remote control (included), or built-in switch.

The Frico Infra app is available for iOS and Android and with a range of 50 m can control up to 8 infrared heaters.

Infrasmart is available in several IP classes and colours. They are suitable for balconies, outdoor areas and terraces.

- Infrasmart is available in the following versions:
 - **Infrasmart IP67:** 1.5-2 kW, reduced glow. Colours: white RAL9010, black RAL9005 or grey RAL7016.
 - **Infrasmart IP24:** 2 kW. Colours: white RAL9010, black RAL9005 or silver RAL9006.
- Remote control included, for regulation in 5 steps. Can also be controlled via the Frico Infra app. Built-in switch.
- Halogen lamp with polished aluminium reflector.
- Wall bracket included. Other mounting alternatives are available as accessories, e.g. ceiling bracket and floor stand.
- Equipped with a 1.9 metre cord with plug for connection to an earthed outlet socket.
- Casing in powder-coated aluminium.

Infrasmart IP67, reduced glow (IP67)

Type	Heat output [W]	Voltage [V]	Colour	Max. filament temperature [°C]	Dimensions LxHxW [mm]	Weight [kg]
IHS15W67	1500	230V~	White	1800	710x125x100	2,5
IHS15B67	1500	230V~	Black	1800	710x125x100	2,5
IHS15G67	1500	230V~	Grey	1800	710x125x100	2,5
IHS20W67	2000	230V~	White	1800	710x125x100	2,5
IHS20B67	2000	230V~	Black	1800	710x125x100	2,5
IHS20G67	2000	230V~	Grey	1800	710x125x100	2,5

Infrasmart IP24 (IP24)

Type	Heat output [W]	Voltage [V]	Colour	Max. filament temperature [°C]	Dimensions LxHxW [mm]	Weight [kg]
IHS20W24	2000	230V~	White	1800	480x112x145	2,5
IHS20B24	2000	230V~	Black	1800	480x112x145	2,5
IHS20S24	2000	230V~	Silver	1800	480x112x145	2,5

Design and specifications are subject to change without notice.

2018-09-10

Get In Touch

Call: [0845 6880112](tel:08456880112)
 Email: info@adremit.co.uk

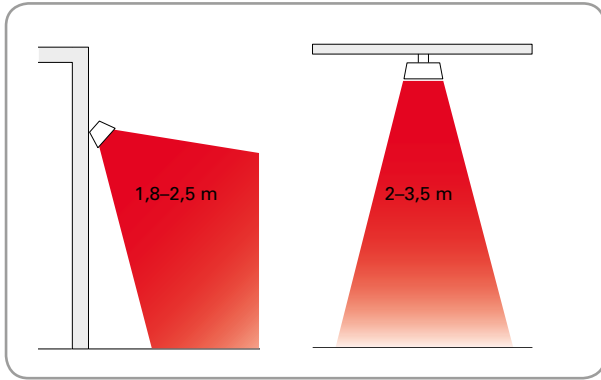
Our Address

Puravent, Adremit Limited, Unit 5a, Commercial Yard,
 Settle, North Yorkshire, BD24 9RH

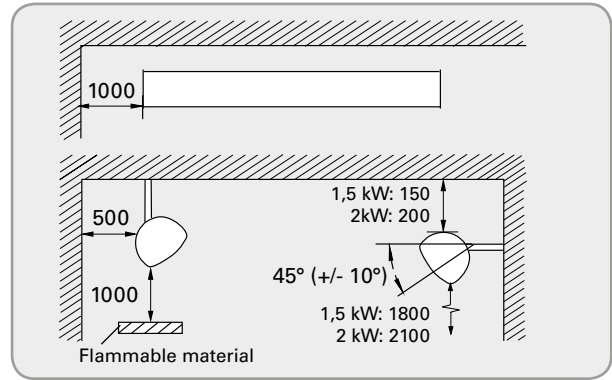




Installation height

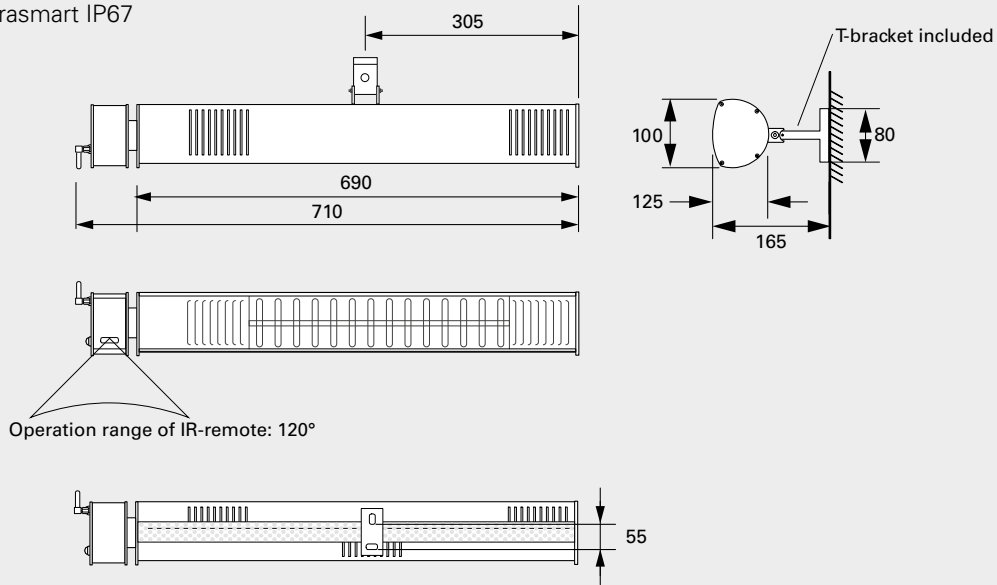


Minimum distances

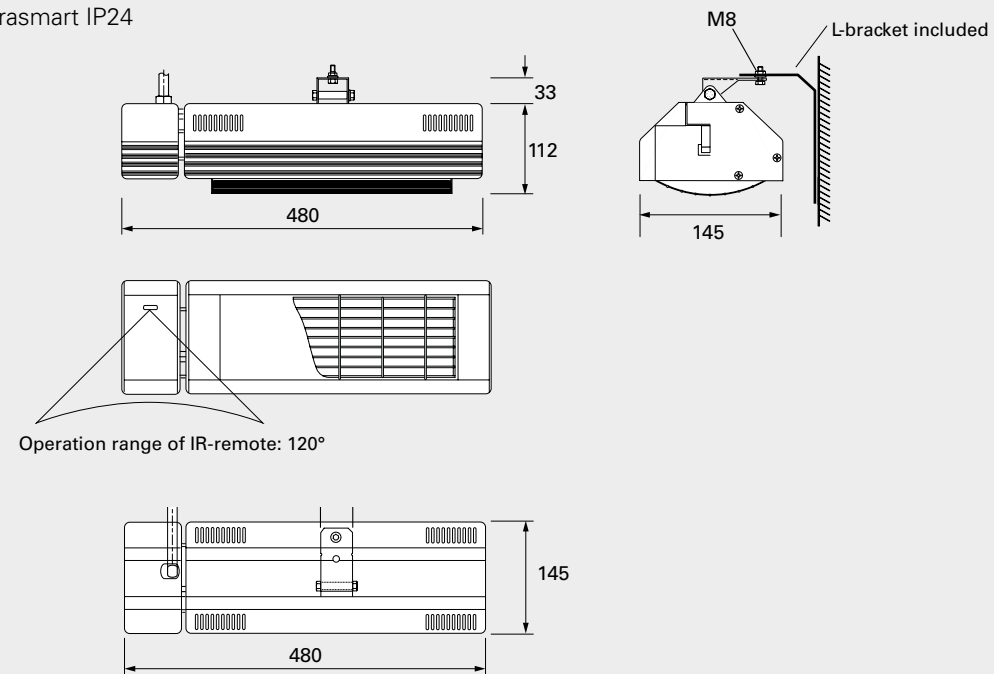


Dimensions

Infrasmart IP67



Infrasmart IP24



Get In Touch

Call: 0845 6880112
 Email: info@adremit.co.uk

Our Address

Puravent, Adremit Limited, Unit 5a, Commercial Yard,
 Settle, North Yorkshire, BD24 9RH



Positioning, mounting and connection

Positioning

The heaters must be placed so that they cover the area to be heated, see fig. 1. The normal mounting height is 2–3 metres above the ground/floor. A rule of thumb for infrared heaters is that 600–800 W/m² increases the experienced temperature by about 10 °C. The output demand can be reduced if the area to be heated is protected. If the area only has a roof, at least 800 W/m² should be installed. 600 W/m² is sufficient if the area has three walls. For enclosed areas, the output demand must be calculated. Optimum comfort is achieved if the heat is distributed from at least two directions.

Mounting

IHS is installed horizontally on walls with supplied bracket. The heater can be angled up to 45°. For other mounting alternatives, e.g. in the ceiling, on a floor stand, under a parasol or awning, see accessories.

Connection

IHS is equipped with a 1.9 metre cord with plug for connection to an earthed outlet socket.

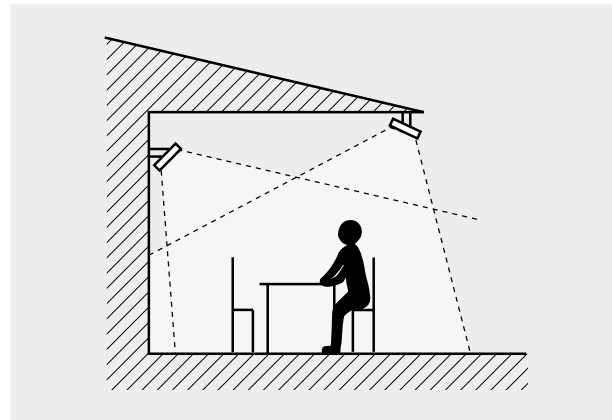


Fig. 1: The heaters should heat from at least two directions for even heating.

Control options

Infrasmart is controlled via an app, the included remote control, or the built-in switch.

Frico Infra app

The Frico Infra app is available for iOS and Android and with a range of 50 m can control up to 8 infrared heaters. Each heater is managed and controlled individually. Stepless heating control (0-100%). Timer function included.

Remote control

Heating in 5 steps. The range is up to 7 m with a free line of sight.



Get In Touch

Call: 0845 6880112
Email: info@adremit.co.uk

Our Address

Puravent, Adremit Limited, Unit 5a, Commercial Yard,
Settle, North Yorkshire, BD24 9RH

Accessories



KLS1KS, bracket with velcro
Bracket with velcro for quick and flexible mounting under a parasol or an awning. Use with BCSF for infrared heater with T bracket. (Infrasmart IP67).

BHSS-3, floor stand
Floor stand for portable use. Height up to 2.1 m. Use with BCSF for infrared heater with T bracket. (Infrasmart IP67).

BCSF, adapter mounting
Adapter mounting to fix infrared heaters with T bracket on accessories, such as BHSS-3 and KLS1KS.

BCDF, ceiling bracket
Used to secure the infrared heater in the ceiling.

T bracket
Included in Infrasmart IP67

L bracket
Included in Infrasmart IP24

IHXH

IHXH, drooping extension bracket for high level mounting
Used to install the heater at high level, such as above a window. Wall bracket included.

IHXL, arching extension bracket for low level mounting
Used to install the heater at low level, such as on a windbreak. Wall bracket included.

MB4040200, awning bracket
Used to install infrared heaters with T bracket under an awning. (Infrasmart IP67).

Type	Description
KLS1KS	Bracket with velcro
BHSS-3	Floor stand, up to 2.1 m
BCSF9010	Adapter mounting for KLS1KS and BHSS-3 for infrared heater with T bracket, white
BCSF9005	Adapter mounting for KLS1KS and BHSS-3 for infrared heater with T bracket, black
BCSF7016	Adapter mounting for KLS1KS and BHSS-3 for infrared heater with T bracket, grey
BCDF209010	Ceiling bracket, 200 mm, white
BCDF209005	Ceiling bracket, 200 mm, black
BCDF207016	Ceiling bracket, 200 mm, grey
IHXH	Extension bracket for high level mounting
IHXL	Extension bracket for low level mounting
MB40402009010	Awning bracket for infrared heater with T bracket, 200 mm, white
MB40402009005	Awning bracket for infrared heater with T bracket, 200 mm, black
MB40402007016	Awning bracket for infrared heater with T bracket, 200 mm, grey



Get In Touch

Call: 0845 6880112
Email: info@adremit.co.uk

Our Address

Puravent, Adremit Limited, Unit 5a, Commercial Yard, Settle, North Yorkshire, BD24 9RH