



Infraframe

Recessed halogen infrared heater for outdoor use

Infraframe is designed for recessed mounting in ceilings such as outdoor balconies and terraces.

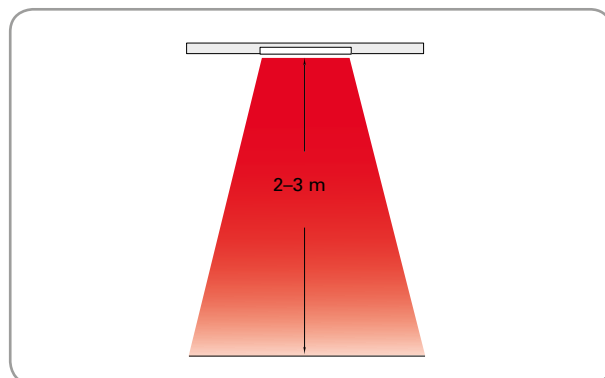
Infraframe is equipped with a powder-coated mounting frame colour matched to the infrared heater housing.

- Supplied with flush-mounting frame for suspended ceilings.
- Halogen lamp and large polished aluminium reflector for optimum heat distribution.
- Equipped with a 1.9 metre cord with plug for connection to an earthed outlet socket.
- Casing in powder-coated aluminium. Flush-mounting frame in powder-coated steel finish. Colours: light grey RAL9006.

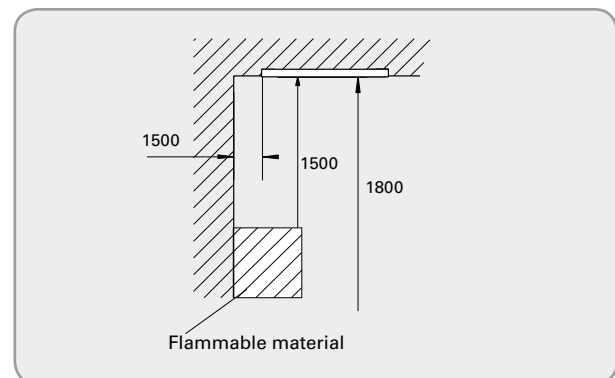
Infraframe (IP24)

Type	Heat output [W]	Voltage [V]	Max. filament temperature [°C]	Dimensions LxHxW [mm]	Weight [kg]
HFR15S	1500	230V~	1800	600x100x325	3,5

Installation height



Minimum distances



Design and specifications are subject to change without notice.

2018-12-18

Get In Touch

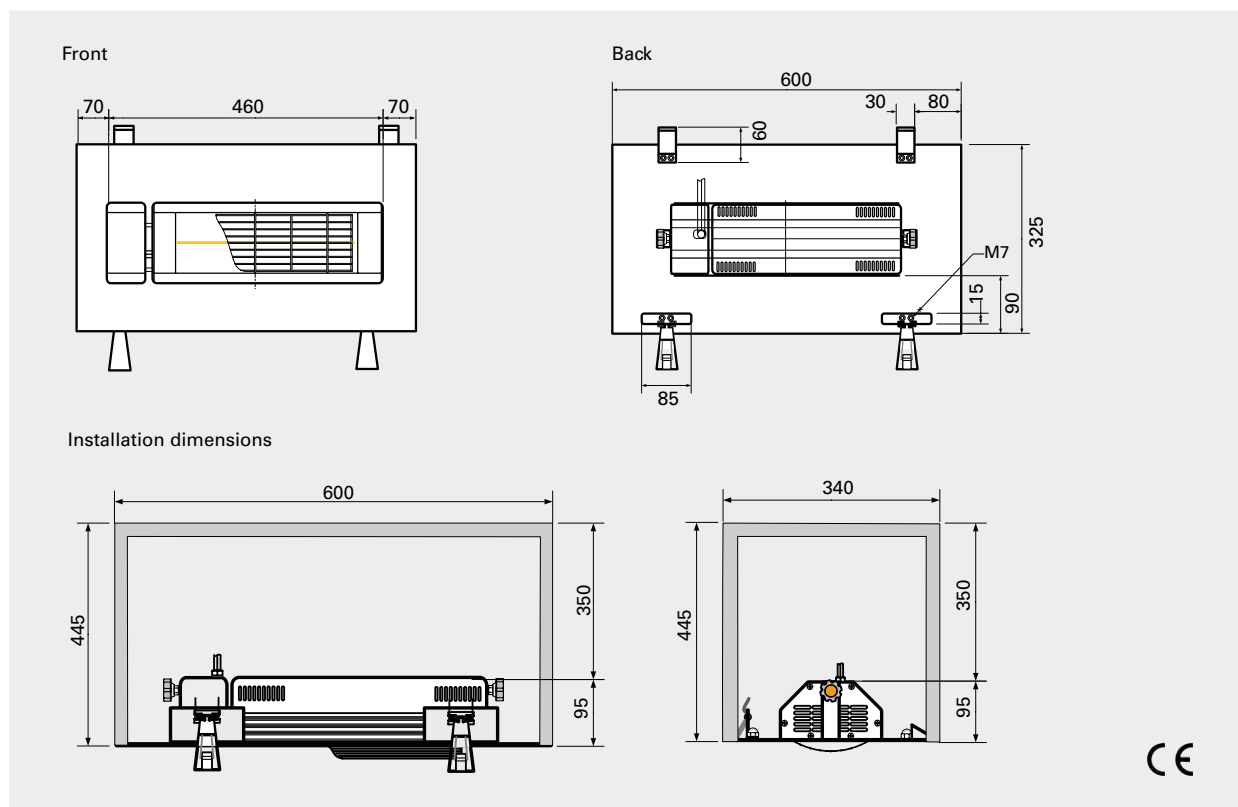
Call: [0845 6880112](tel:08456880112)
 Email: info@adremit.co.uk

Our Address

Puravent, Adremit Limited, Unit 5a, Commercial Yard,
 Settle, North Yorkshire, BD24 9RH



Dimensions



Mounting

Infrared is mounted in recessed ceilings by means of four retaining clamps which are attached to the frame. A cut-out adequately large enough needs to be made when installing Infraframe, see drawing for dimensions.

Connection

Infraframe is equipped with a 1.9 metre cord with plug for connection to an earthed outlet socket.



The unit is retained in the ceiling by four clamps attached to the frame.

Control options

Timer control

The timer can be set to a desired time. If the current load exceeds the timer's setting range or if you want to control a larger system, a contactor can be used.

- CBT, electronic timer

Comfort control

The comfort controller allows you to wirelessly control one or more infrared heaters via an app (iOS or Android) or by using the remote control supplied. The IHBD3 offers stepless control via the Frico Infra app, or 5 step regulation when using the remote control.

- IHBD3, comfort controller



Type	Description
IHBD3	Comfort controller for infrared heater, remote control with dimmer, 3000W, 230V~, IP65
CBT	Electronic timer, IP44

For further information and options, see the "Controls" section.

Get In Touch

Call: 0845 6880112
 Email: info@adremit.co.uk

Our Address

Puravent, Adremit Limited, Unit 5a, Commercial Yard,
 Settle, North Yorkshire, BD24 9RH