



IV SMART EC-CO

Item no. 88435

Version: 50/60 Hz

Document type: **Product card**

Document date: **2019-07-18**

Generated by: **Systemair Online Catalogue**

Description

- 100% speed controllable via 0-10V signal
- Integrated motor protection
- Casing is made from galvanised steel
- Suitable for temperature up to 55°C
- External terminal box for easy electronic connection
- inclusive power supply divider



Green Ventilation Jet fan with energy-efficient EC technology for day-to-day ventilation, CO monitoring and cold smoke extraction. Green Ventilation jet fan with energy-efficient EC technology for day-to-day ventilation, CO monitoring and cold smoke extraction. For you as a HVAC planner or garage operator, the IV smart can meet whatever requirements you need. Currently the most compact jet fan on the market. You get a safe solution even for garages with low ceilings. Low weight and integrated galvanised steel ceiling mount. Can be mounted quickly, easily and safely. Available in 50/60 Hz, 230V EC motors with IP 44, as per EN 60034-5/IEC 85. Two parallel Sileo centrifugal impellers made from plastic and an aerodynamically optimized outlet.

Technical parameters

Nominal data	
Voltage	230 V
Frequency	50 Hz
Phase	1 ~
Input power (P1)	350 W
Current	2,6 A
Thrust	12-12 N
Max. airflow	0,633 m³/s
R.p.m.	2630 r.p.m.
Weight	17,4 kg
Temperature data	
Max. temperature of transported air	55 °C
Sound data	
Sound pressure level at 3 m (free field)	69 dB(A)
Protection / Classification	
Insulation class	B
Enclosure class, motor	IP44

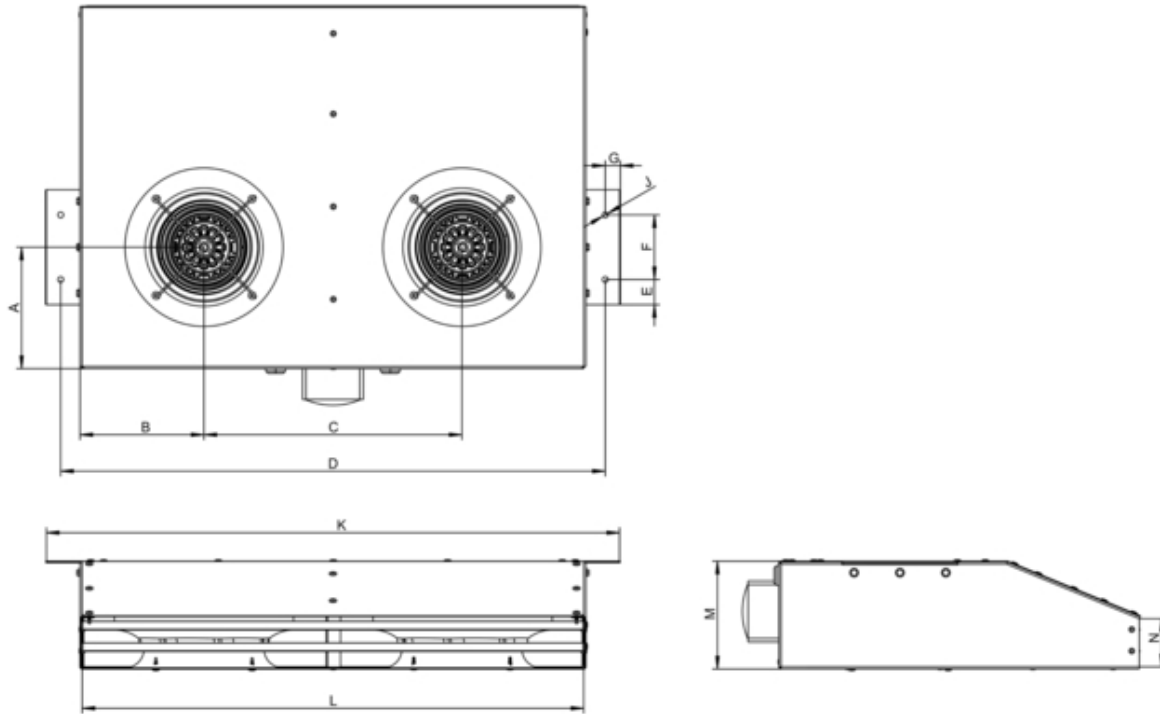
Get In Touch

Call: [0845 6880112](tel:08456880112)
 Email: info@adremit.co.uk

Our Address

Puravent, Adremit Limited, Unit 5a, Commercial Yard,
 Settle, North Yorkshire, BD24 9RH

Dimensions



	A	B	C	D	E	F	H	J	K	L	M	N
IV Smart	169	173	360	760	36	140	554	8	800	700	150	67

Name: **IV SMART EC-CO** | Item no.: **88435** | Version: **50/60 Hz**

2 / 3

Document type: **Product card** | Document date: **2019-07-18** | Generated by: **Online catalogue**

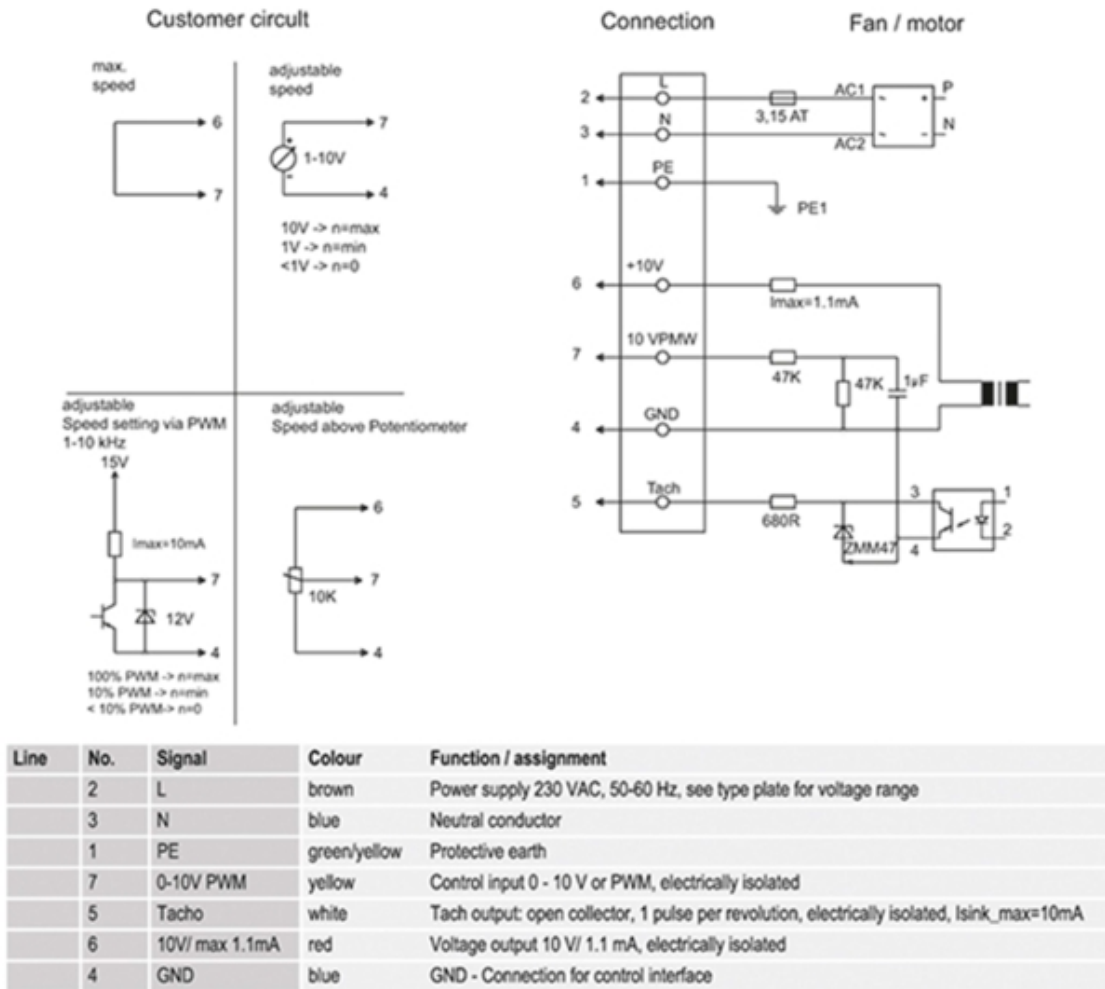
Get In Touch

 Call: [0845 6880112](tel:08456880112)
 Email: info@adremit.co.uk

Our Address

Puravent, Adremit Limited, Unit 5a, Commercial Yard,
Settle, North Yorkshire, BD24 9RH

Wiring



Accessories

Documentation

manual_iv smart_en_[003].pdf (666,81kB)

eu declaration of conformity_jet fans_en_002.pdf (48,52kB)

Specification text

Name: **IV SMART EC-CO** | Item no.: **88435** | Version: **50/60 Hz**

Document type: **Product card** | Document date: **2019-07-18** | Generated by: **Online catalogue**

3 / 3

Get In Touch

Call: [0845 6880112](tel:08456880112)
 Email: info@adremit.co.uk

Our Address

Puravent, Adremit Limited, Unit 5a, Commercial Yard,
 Settle, North Yorkshire, BD24 9RH