



IV 50-4/8 (F)

Item no. 34110

Version: 4-pol

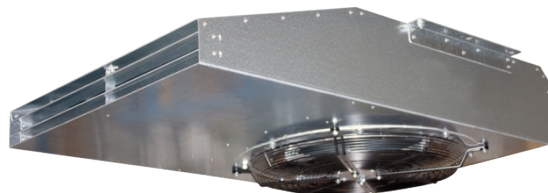
Document type: **Product card**

Document date: **2019-07-18**

Generated by: **Systemair Online Catalogue**

Description

- Compact casing for thin ceiling height
- Motor F400 for 400°C/120min. or standard temperature
- Thrust 50N
- Variable outlet
- Tested according to EN 12101-3 at LGAI Barcelona
- tested revision switch optional



Induction Fan in compact casing with high efficiency radial fan with revision switch (optional). Using for horizontal construction. All steel parts are made of galvanized steel, for best corrosion protection. IEC standard motors, insulation class H, enclosure class IP55. Systemair induction fans have been tested in accordance with EN 12101-3 and are CE labelled.

Technical parameters

Nominal data		
Voltage	400	V
Frequency	50	Hz
Phase	3	~
Nominal power at shaft (P2)	1300	W
Max. current	3,3	A
Starting current	17,2	A
Thrust	52	N
Max. airflow	1,71	m³/s
R.p.m.	1420	r.p.m.
Weight	94	kg
Temperature data		
Max. temperature of transported air	55	°C
Max. temp. of transported air for 120 min	400	°C
Sound data		
Sound pressure level at 3 m (free field)	73	dB(A)
Protection / Classification		
Insulation class	H	
Enclosure class, motor	IP55	
Configuration		
Regulation type	Transformer	

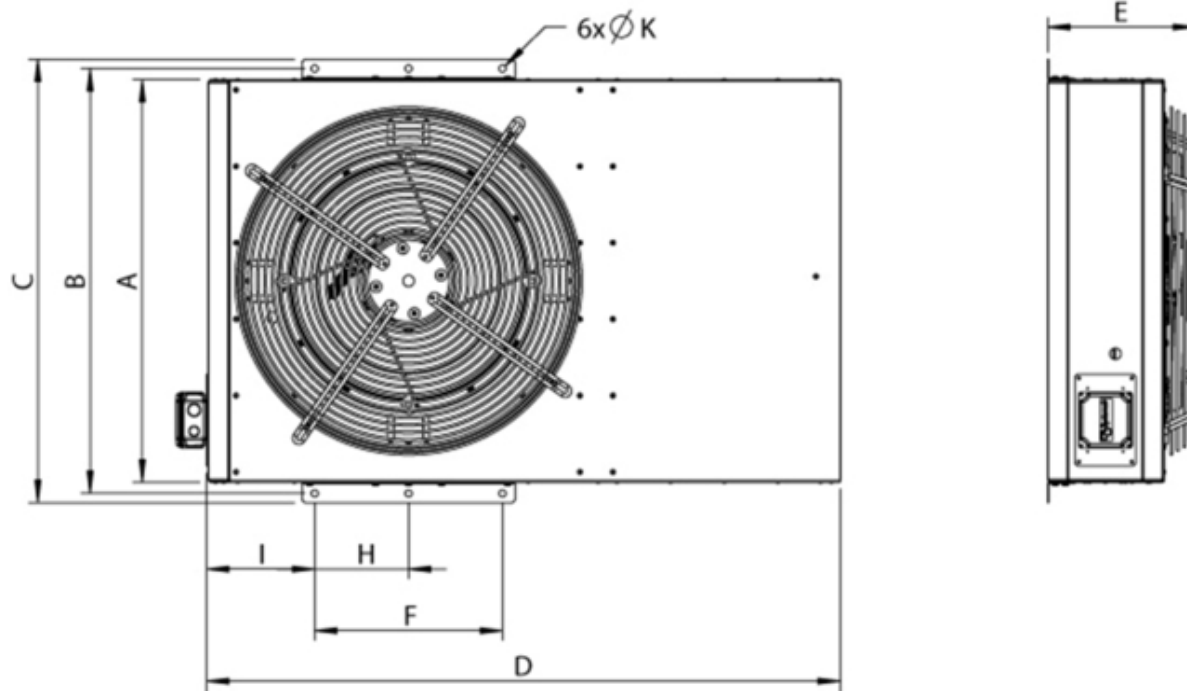
Get In Touch

 **Call:** [0845 6880112](tel:08456880112)
 **Email:** info@adremit.co.uk

Our Address

Puravent, Adremit Limited, Unit 5a, Commercial Yard,
 Settle, North Yorkshire, BD24 9RH

Dimensions



Size	A	B	C	D	E	F	H	I	6ØK
IV 50	790	834	870	1248	285	370	185	210	13,5

Get In Touch



Call: [0845 6880112](tel:08456880112)



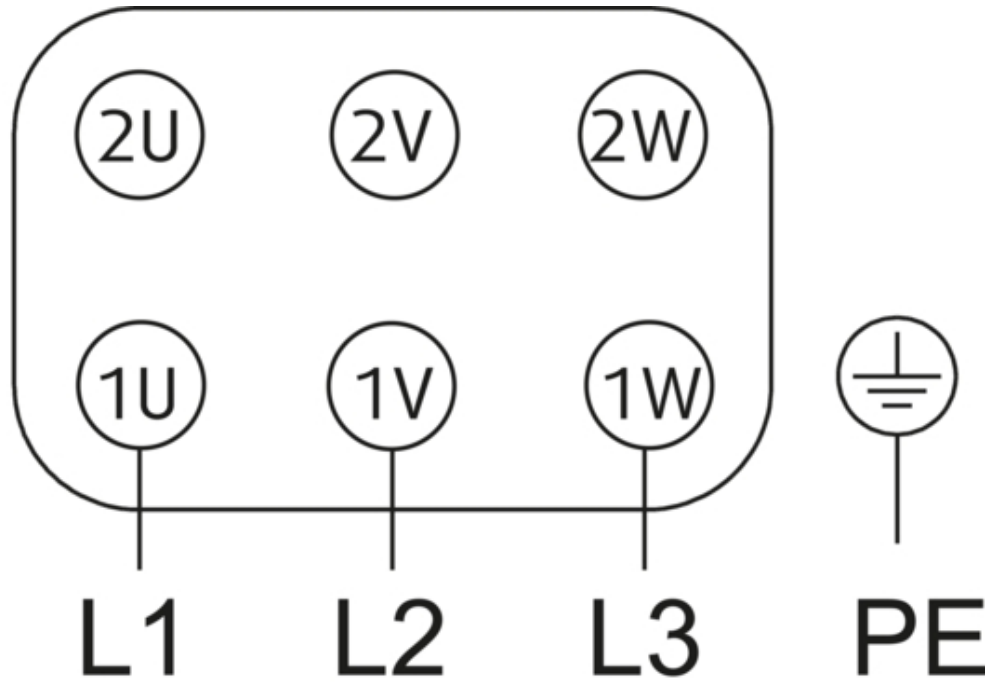
Email: info@adremit.co.uk

Our Address

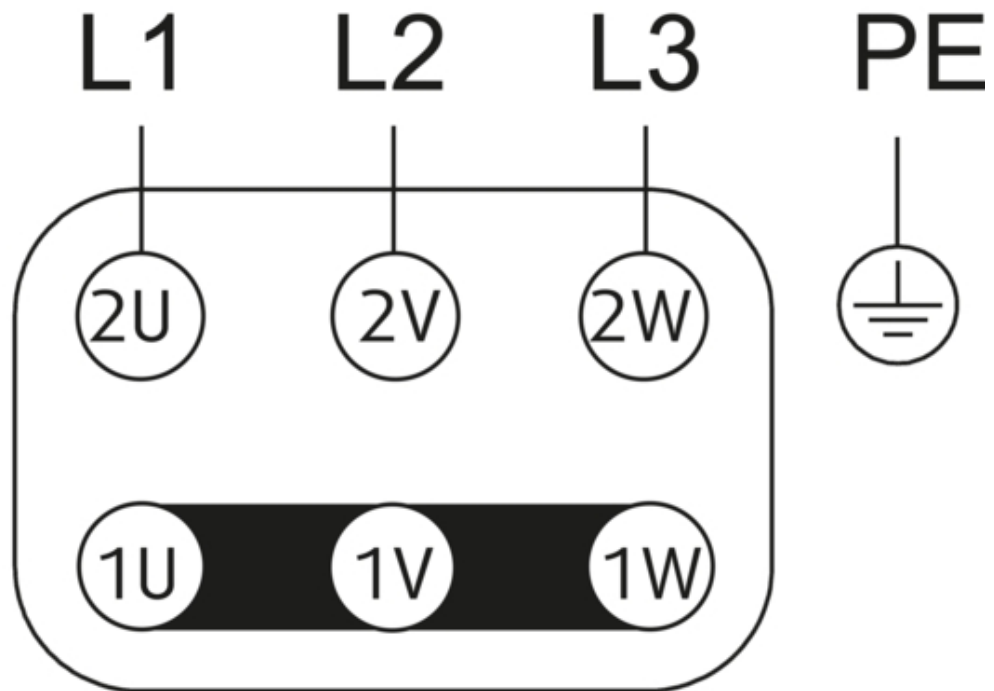
Puravent, Adremit Limited, Unit 5a, Commercial Yard,
Settle, North Yorkshire, BD24 9RH

Wiring



Y



YY




Get In Touch

 Call: [0845 6880112](tel:08456880112)
 Email: info@adremit.co.uk

Our Address

Puravent, Adremit Limited, Unit 5a, Commercial Yard,
Settle, North Yorkshire, BD24 9RH



Low speed connection


High speed connection


Accessories


Electric accessories


[REV-6POL/7,5kW-25A/F400 ON/OFF \(35730\)](#)

Documentation

 [manual_Axial_Fans_-_Jet_en__007_-min.pdf \(6,91MB\)](#)

 [0086-CPR-578672_Okt_2018.pdf \(834,29kB\)](#)

 [dop_iv\(f\)_en_002.pdf \(63,29kB\)](#)

 [eu declaration of conformity_jet fans_en_002.pdf \(48,52kB\)](#)

Get In Touch



Call: [0845 6880112](tel:08456880112)



Email: info@adremit.co.uk

Our Address

Puravent, Adremit Limited, Unit 5a, Commercial Yard,
Settle, North Yorkshire, BD24 9RH