



Carbon infrared heater IHC

For soft and effective heat

Carbon infrared heater IHC produces a gentle and direct heat which together with the soft glow, is ideal for outdoor restaurants where design is important. IHC has a heat distribution best suited for close and slightly higher installations.

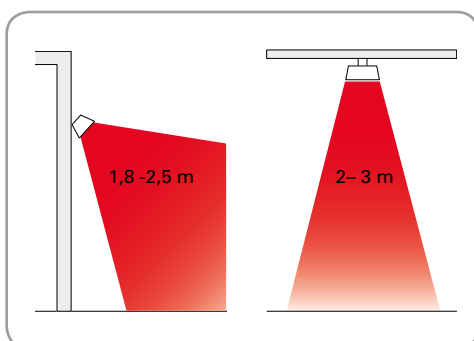
IHC is easy to position thanks to its compact design. The discreet and appealing look makes it suitable for outdoor environments with design demands.

- IHC consists of a carbon lamp, yellow-orange glow, with high intensity and a highly-polished reflector for optimum heat distribution.
- Bracket for wall mounting. Can also be suspended from the ceiling or mounted on a post. Other mounting alternatives are available as accessories.
- Equipped with a 0.9 metre cord with plug for connection to an earthed outlet socket.
- Casing in anodised aluminium, grille in Nickel/Chrome plating, end caps in powder-coated light-alloy metal. Colour: RAL 9006.

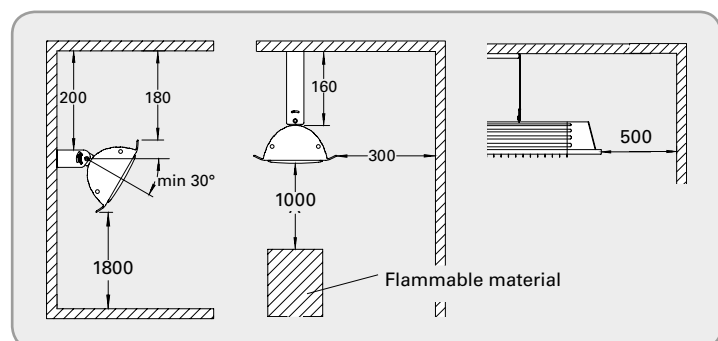
Carbon infrared heater IHC (IP44)

Type	Heat output [W]	Voltage [V]	Amperage [A]	Max. filament temperature [°C]	Dimensions LxHxW [mm]	Weight [kg]
IHC12	1150	230V~	5,0	1200	500x77x169	1,9
IHC18	1750	230V~	7,6	1200	676x77x169	2,5

Installation height



Minimum distances



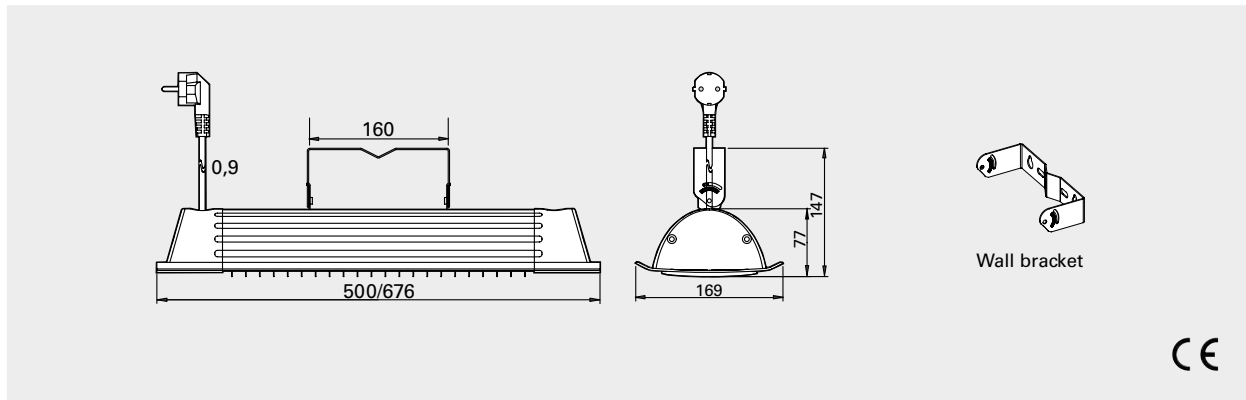
Get In Touch

Call: 0845 6880112
Email: info@adremit.co.uk

Our Address

Puravent, Adremit Limited, Unit 5a, Commercial Yard,
Settle, North Yorkshire, BD24 9RH

Dimensions



Positioning, mounting and connection

Positioning

The heaters must be placed so that they cover the area to be heated, see fig. 1. The normal mounting height is 2–3 metres above the ground/floor. A rule of thumb for infrared heaters is that 600–800 W/m² increases the experienced temperature by about 10 °C. The output demand can be reduced if the area to be heated is protected. If the area only has a roof, at least 800 W/m² should be installed. 600 W/m² is sufficient if the area has three walls. For enclosed areas, the output demand must be calculated. Optimum comfort is achieved if the heat is distributed from at least two directions.

Mounting

IHC is installed horizontally on walls with supplied bracket. The heater can be angled up to 45°. The heater can also be mounted on e.g. a parasol or a post, a suitable U-bolt (not included) is used for this together with the supplied console. For ceiling installation use ceiling bracket IHE (accessory). For other mounting alternatives, see accessories.

Connection

IHC is equipped with a 0.9 metre cord with plug for connection to an earthed outlet socket.

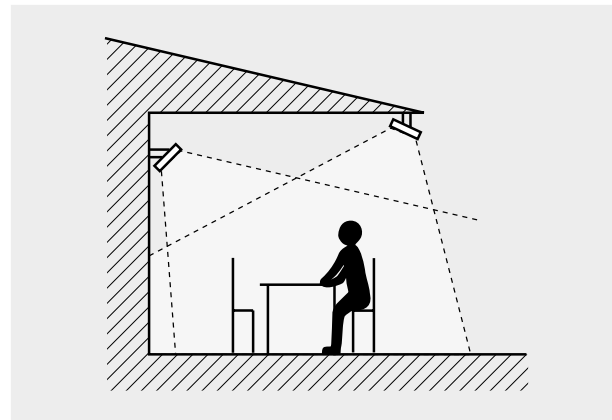


Fig. 1: The heaters should heat from at least two directions for even heating.



The intensive carbon infrared heater and a highly-polished reflector gives optimum heat distribution combined with a soft glow.

Get In Touch

Call: 0845 6880112
Email: info@adremit.co.uk

Our Address

Puravent, Adremit Limited, Unit 5a, Commercial Yard,
Settle, North Yorkshire, BD24 9RH

Carbon infrared heater IHC

Accessories



IHUB, universal bracket

A bracket that makes it easy to even angle IH/IHC sideways. The bracket also allows mounting on, for example, a windbreak when the clamping screw is used.

IHE, ceiling bracket

Used to secure the IH/IHC in the ceiling.

IHXH, drooping extension bracket for high level mounting

Used to install IH/IHC at high level, such as above a window. Wall bracket included.

IHXL, arching extension bracket for low level mounting

Used to install IH/IHC at low level, such as on a windbreak. Wall bracket included.

IHT, triple bracket

Three IH/IHC units can be mounted on the IHT bracket to provide heat in all directions. Can be suspended from the ceiling by three wires or mounted on an IHP post. Used for IH10, IH15 and IHC12.

IHTW, wire kit

Set of three bright galvanized wires for easy hanging of IHT.

IHP, post for freestanding installation

Post to stand IH/IHC on the floor. IHP has a fixed length of 2.3 m and can be cut to desired length. The IHT triple bracket can be attached to provide heat in all directions. IH/IHC can also be mounted directly on the post using a standard bracket and a U-bolt.

BHSS-3, floor stand

Floor stand for portable use. Height up to 2.1 m.

KLS1KS, bracket with velcro

Bracket with velcro for quick and flexible mounting under a parasol or an awning.

IHA, adapter mounting

Adapter mounting to fix IH/IHC on floor stand BHSS-3 and bracket KLS1KS.

Type	Description
IHUB	Universal bracket for IH
IHE	Ceiling bracket
IHXH	Extension bracket for high level mounting
IHXL	Extension bracket for low level mounting
IHT	Triple bracket
IHTW	Wire kit (3 wires) for IHT
IHP	Post for freestanding installation, 2,3 m
BHSS-3	Floor stand, up to 2.1 m
KLS1KS	Bracket with velcro
IHA	Adapter mounting for KLS1KS and BHSS-3



With an extension bracket, the heater can be positioned lower than its mounting point.

Get In Touch

Call: 0845 6880112
Email: info@adremit.co.uk

Our Address

Puravent, Adremit Limited, Unit 5a, Commercial Yard, Settle, North Yorkshire, BD24 9RH

Control options

Timer control

The timer can be set to a desired time. If the current load exceeds the timer's setting range or if you want to control a larger system, a contactor can be used.

- CBT, electronic timer

Comfort control

The comfort controller allows you to wirelessly control one or more infrared heaters via an app (iOS or Android) or by using the remote control supplied. The IHBD3 offers stepless control via the Frico Infra app, or 5 step regulation when using the remote control.

- IHBD3, comfort controller



Type	Description
IHBD3	Comfort controller for infrared heater, 3000W, 230V~, IP65
CBT	Electronic timer, IP44

Controls for IHC 1800W when used indoors

Infrared heater IHC also be used indoors for temporary heat contribution, but please note that model IHC18 must be installed with thermostat TAP16R (accessory) to comply with Ecodesign Regulation (EU) 2015/1188. Models of less than 1200W, however, can be used indoors with the same controls that are used outdoors. (IHC12). See above.

Type	Description
TAP16R	Electronic thermostat, 16A, IP21
TEP44	Protective enclosure for TAP16R, IP44. Must be supplemented with RTX54.
RTX54	External room temperature sensor. Replaces internal sensor. NTC10K Ω , IP54
SKG30	Black bulb sensor, NTC10K Ω , IP30
PDK65	Presence detector with power supply (up to 5 detectors), 230V~, max 2,3 kW, IP42/IP65
PDK65S	Additional presence detector to PDK65, IP42
RB3	Relaybox 400V3N~ (400V3~/V2~, 230V3~/V2~), 16A, IP44

For further information and options, see the "Controls" section.



IHC is ideal for environments where design is important and has a heat distribution best suited for close and slightly higher installations.

Get In Touch

Call: 0845 6880112
Email: info@adremit.co.uk

Our Address

Puravent, Adremit Limited, Unit 5a, Commercial Yard, Settle, North Yorkshire, BD24 9RH