

AQUA

Slot Diffuser



Get In Touch



Call: [0845 6880112](tel:08456880112)



Email: info@adremit.co.uk

Our Address

Puravent, Adremit Limited, Unit 5a, Commercial Yard,
Settle, North Yorkshire, BD24 9RH



Table of Contents

Description3
Dimensions6
Ordering Codes9
Accessories12
Quick Selection21
Installation29
Transport, Storage and Operation34
Supplement35



Get In Touch

 **Call:** [0845 6880112](tel:08456880112)
 **Email:** info@adremit.co.uk

Our Address

Puravent, Adremit Limited, Unit 5a, Commercial Yard,
Settle, North Yorkshire, BD24 9RH





Description

AQUA is a linear slot diffuser for installation into the floor, intended for air supply in ventilation systems for swimming pools and wet spaces with large windows or glass walls. Aqua helps protecting the glass surfaces from condensation of water.

Highlights

- Modern slim and compact design
- Low noise at sufficiently high air discharge velocity
- Homogenous discharge pattern on the whole diffuser length
- Single diffuser segments of various lengths
- Segments with detachable slot dividing profiles and 90° angle segments available
- Installation in multiple diffuser segment arrays is possible
- Robust design enables walking on the installed diffuser
- Plenum boxes with bottom and side duct connection

Product Types

- **AQUA:** Swimming pool slot diffuser

- **AQUA-DE**

: Swimming pool slot diffuser with detachable front slot dividing profiles. It is intended for cleaning of the air channel built by the diffuser consoles. The front slot dividing profiles are laying loosely in the console framing, so they can be easily raised and detached. Only 2/3/4/5-slot elements with 1000 mm length are available.

- **AQUA-CE**

: Corner element with 90° angle. It can be used as a functional element for air supply, though it cannot be combined with a plenum box.

List of Accessories:

- **PB-AQUA-B & PB-AQUA-S:** Plenum Boxes
- **EC-AQUA:** End Cap
- **CP-HELLA:** Connection Pins
- **DN-AQUA:** Drainage Nipple
- **DP-AQUA:** Drainage Plug
- **LB-AQUA:** Leveling Bridge



Get In Touch

- **Call:** 0845 6880112
- **Email:** info@adremit.co.uk

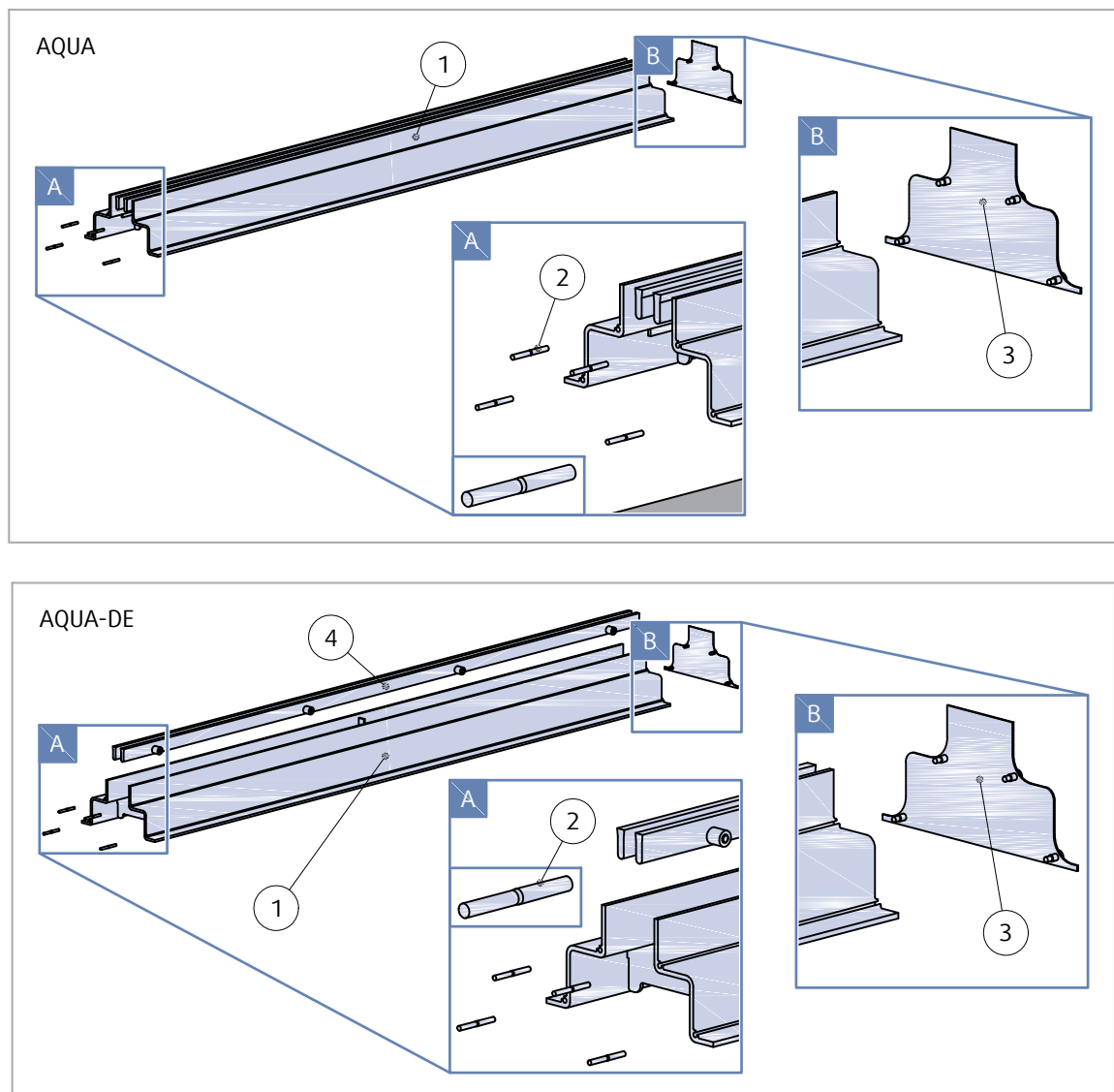
Our Address

Puravent, Adremit Limited, Unit 5a, Commercial Yard,
Settle, North Yorkshire, BD24 9RH

Design

Diffuser AQUA consists of a pressure equalizing console from two main aluminium profiles. The profiles are connected by stainless steel thread bolts. The bolts also fix the aluminium profiles that separate the air discharge slots. The diffuser console is open on the bottom. Inside the consoles there are vertical deflectors, one per each 0,5 m of length. The deflectors help the air discharge pattern becoming homogenous and correctly oriented. The consoles can be connected into a multiple segment array by connection pins (accessory CP-HELLA). On both outermost ends of the array the end caps (accessory EC-AQUA) can be attached to the consoles. They avoid the fluid building materials (concrete, mortar...) from intruding into the diffuser console during installation and floor finishing. The plenum boxes PB-AQUA from stainless steel are available for installation with side or bottom duct connections.

Product Parts



Legend

- 1 Console
- 2 CP-HELLA connection pins (accessory)
- 3 EC-AQUA end cap (accessory)
- 4 Slot dividing profiles



Get In Touch

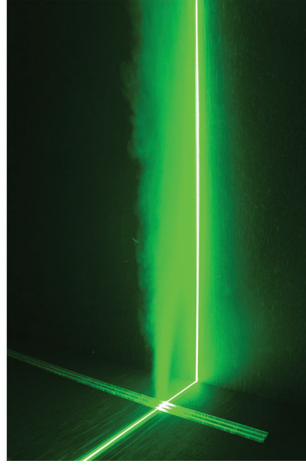
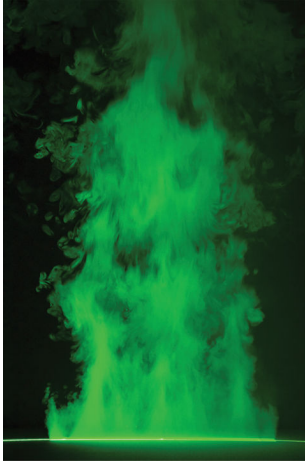
Call: 0845 6880112
 Email: info@adremit.co.uk

Our Address

Puravent, Adremit Limited, Unit 5a, Commercial Yard,
 Settle, North Yorkshire, BD24 9RH



Air flow visualisation



Get In Touch



Call: [0845 6880112](tel:08456880112)

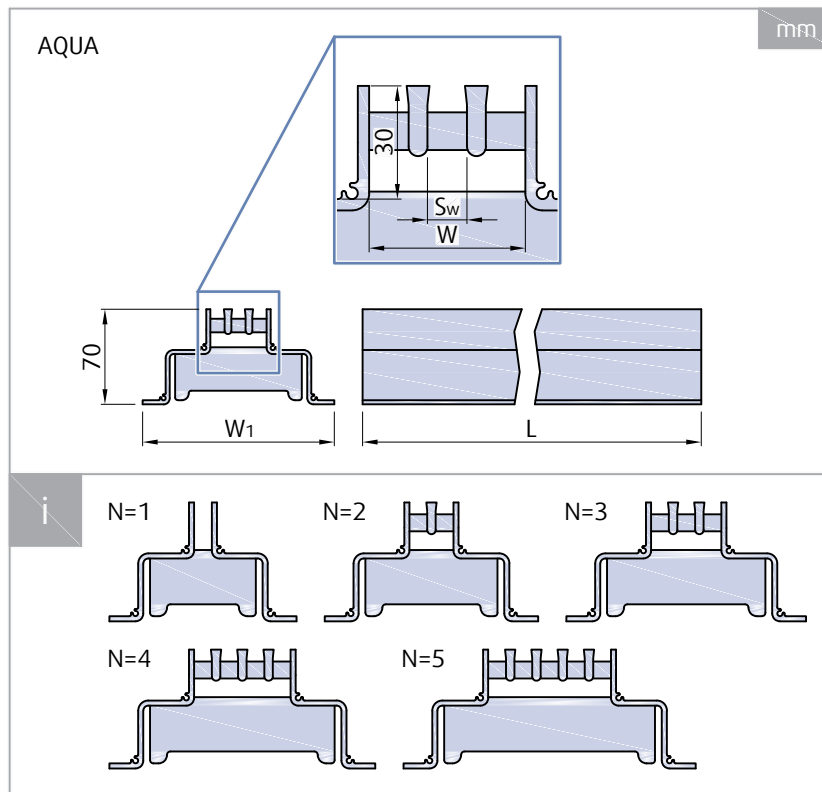


Email: info@adremit.co.uk

Our Address

Puravent, Adremit Limited, Unit 5a, Commercial Yard,
Settle, North Yorkshire, BD24 9RH

Dimensions



L mm	N	Sw	W		W ₁
			mm		
500/1000/1500/2000	1	-	8	109	
		-	10	111	
		-	12	113	
	2	8	22	122	
		10	26	126	
		12	30	130	
	3	8	36	136	
		10	42	142	
		12	48	148	
	4	8	49	149	
		10	57	157	
		12	65	165	
	5	8	63	163	
		10	73	173	
		12	83	183	

L mm	N	m
		kg
500	1	1
	2	1,1
	3	1,3
	4	1,4
	5	1,6
1000	1	1,5
	2	1,8
	3	1,9
	4	2,1
	5	2,2
1500	1	2
	2	2,4
	3	2,6
	4	2,7
	5	2,9
2000	1	2,5
	2	3,1
	3	3,2
	4	3,4
	5	3,5



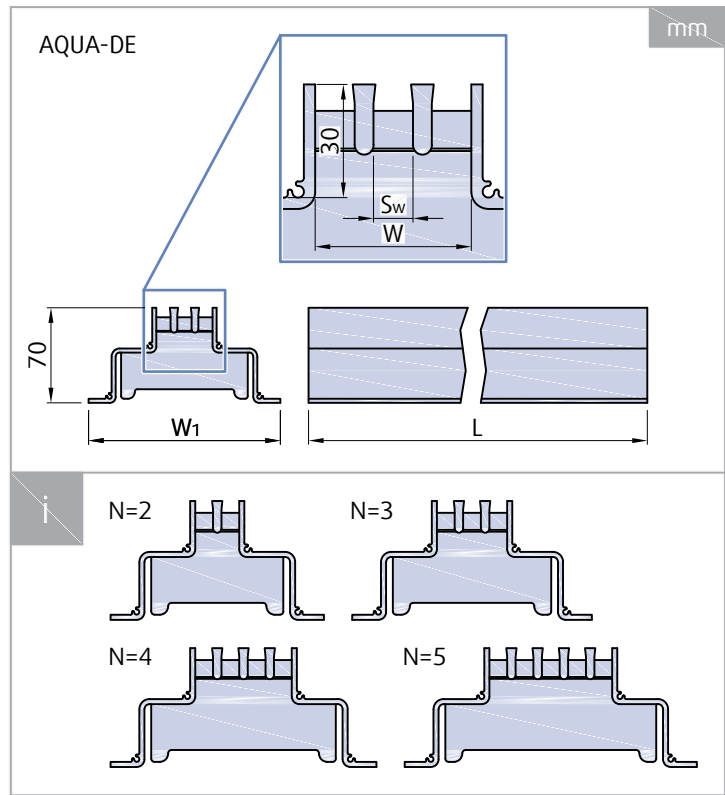
Get In Touch

Call: [0845 6880112](tel:08456880112)
 Email: info@adremit.co.uk

Our Address

Puravent, Adremit Limited, Unit 5a, Commercial Yard,
 Settle, North Yorkshire, BD24 9RH





L	N	S _w	W	W ₁
AQUA-DE 1000	2	8	22	122
		10	26	126
		12	30	130
	3	8	36	136
		10	42	142
		12	48	148
	4	8	49	149
		10	57	157
		12	65	165
	5	8	63	163
		10	73	173
		12	83	183

L	N	m
AQUA-DE 1000	1	1,7
	2	1,9
	3	2,1
	4	2,2
	5	2,3



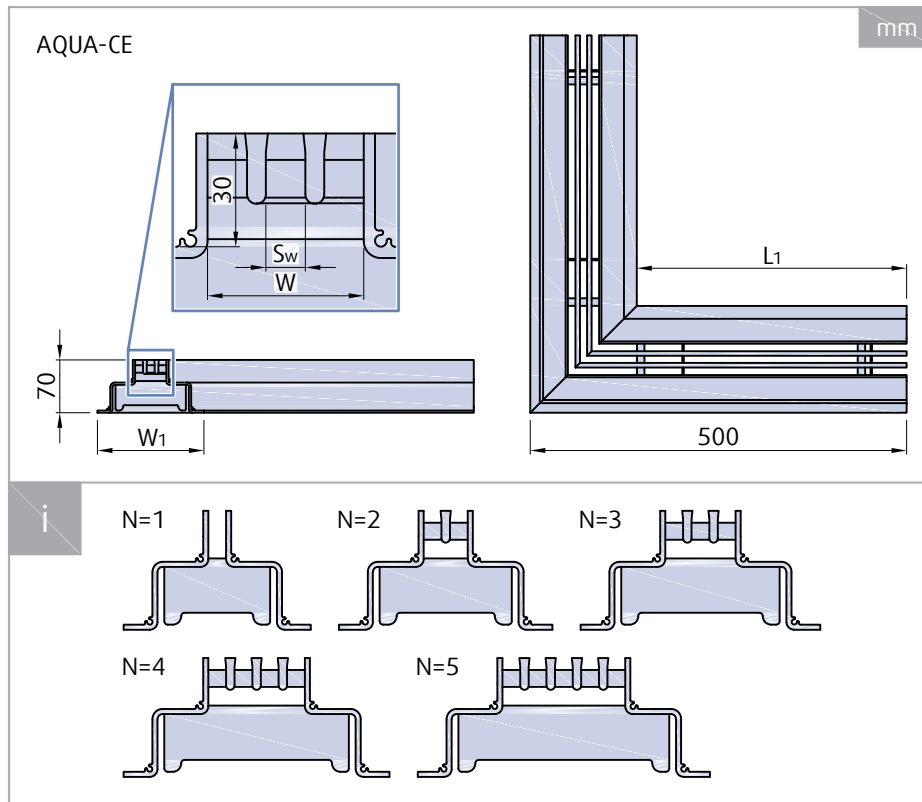
Get In Touch

Call: 0845 6880112
 Email: info@adremit.co.uk

Our Address

Puravent, Adremit Limited, Unit 5a, Commercial Yard,
 Settle, North Yorkshire, BD24 9RH





N	S_w	W	W_1	L_1
	mm			
1	-	8	109	391
	-	10	111	389
	-	12	113	387
2	8	22	122	378
	10	26	126	374
	12	30	130	370
3	8	36	136	364
	10	42	142	358
	12	48	148	352
4	8	49	149	351
	10	57	157	343
	12	65	165	335
5	8	63	163	337
	10	73	173	327
	12	83	183	317

N	m
	kg
1	2
2	2,2
3	2,3
4	2,4
5	2,5



Get In Touch

Call: [0845 6880112](tel:08456880112)
 Email: info@adremit.co.uk

Our Address

Puravent, Adremit Limited, Unit 5a, Commercial Yard,
 Settle, North Yorkshire, BD24 9RH



Ordering Codes

NOTE: 4 pieces of connection pins CP-HELLA are attached to each piece of products AQUA, AQUA-DE and AQUA-CE. They can be used if the diffuser elements shall be part of multiple elements array.

AQUA

Swimming Pool Slot Diffuser

Number of slots (N)

- 1
- 2
- 3
- 4
- 5

Slot Width (mm)

- 8
- 10
- 12

Length (mm)

- 500
- 1000
- 1500
- 2000**

Example of the Ordering Code

AQUA-4-10-1500

4-Slot diffuser with 10 mm slot width, 1500 mm length.



Get In Touch

 Call: [0845 6880112](tel:08456880112)
 Email: info@adremit.co.uk

Our Address

Puravent, Adremit Limited, Unit 5a, Commercial Yard,
Settle, North Yorkshire, BD24 9RH



AQUA-DE

Swimming Pool Slot Diffuser with Detachable Front Slot Dividing Profiles

Number of slots (N)

2

3

4

5

Slot Width (mm)

8

10

12

NOTE: Only 2/3/4/5-slot elements with 1000 mm length are available.

Example of the Ordering Code

AQUA-DE-3-10

Diffuser with detachable front slot dividing profiles, 1000 mm long, with 3 slots of 10 mm width.



Get In Touch



Call: [0845 6880112](tel:08456880112)



Email: info@adremit.co.uk

Our Address

Puravent, Adremit Limited, Unit 5a, Commercial Yard,
Settle, North Yorkshire, BD24 9RH

AQUA-CE

90° Corner Element

Number of slots (N)

1

2

3

4

5

Slot Width (mm)

8

10

12

Example of the Ordering Code

AQUA-CE-3-10

Corner element AQUA with 3 slots of 10 mm width.



Get In Touch

 **Call:** [0845 6880112](tel:08456880112)
 **Email:** info@adremit.co.uk

Our Address

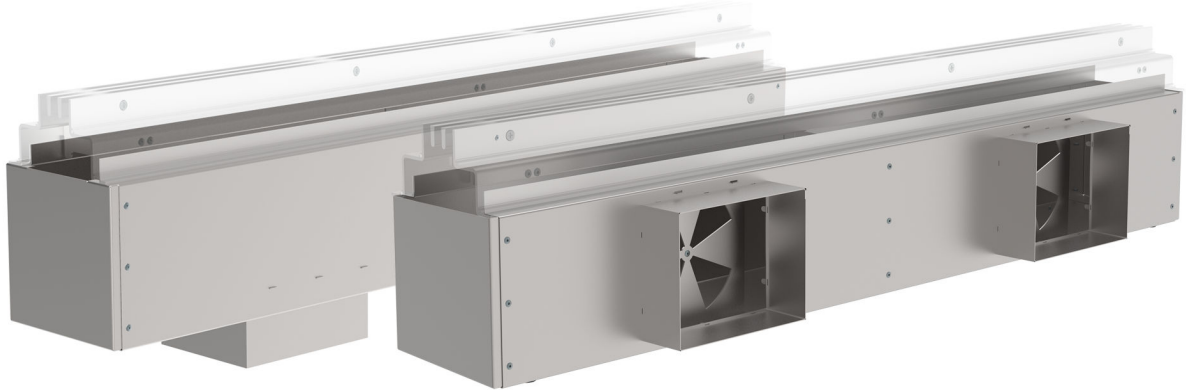
Puravent, Adremit Limited, Unit 5a, Commercial Yard,
Settle, North Yorkshire, BD24 9RH



Accessories

PB-AQUA-B & PB-AQUA-S

Plenum Boxes



Description

PB-AQUA is a plenum box installed with slot diffuser AQUA of corresponding dimension to achieve optimal air distribution and discharge over the whole length of the diffuser.

The box is available in two versions:

- PB-AQUA-S with horizontal duct connection on the side.
- PB-AQUA-B with vertical duct connection on the bottom.

Design

The rectangular plenum box PB-AQUA is made from stainless steel A316L sheet. The air duct connections on the side of the box have circular or rectangular shape according to the diffuser capacity. The connections on the box are localized in regular distances, the first one 250 mm from the edge of the box and the next ones in 500 mm from each other. The connections are flat without gasket. The duct connections are equipped by dampers. The box with side connection has sloped bottom and drainage holes sealed by detachable plugs. drainage nipple is available for use when plugged into the hole.



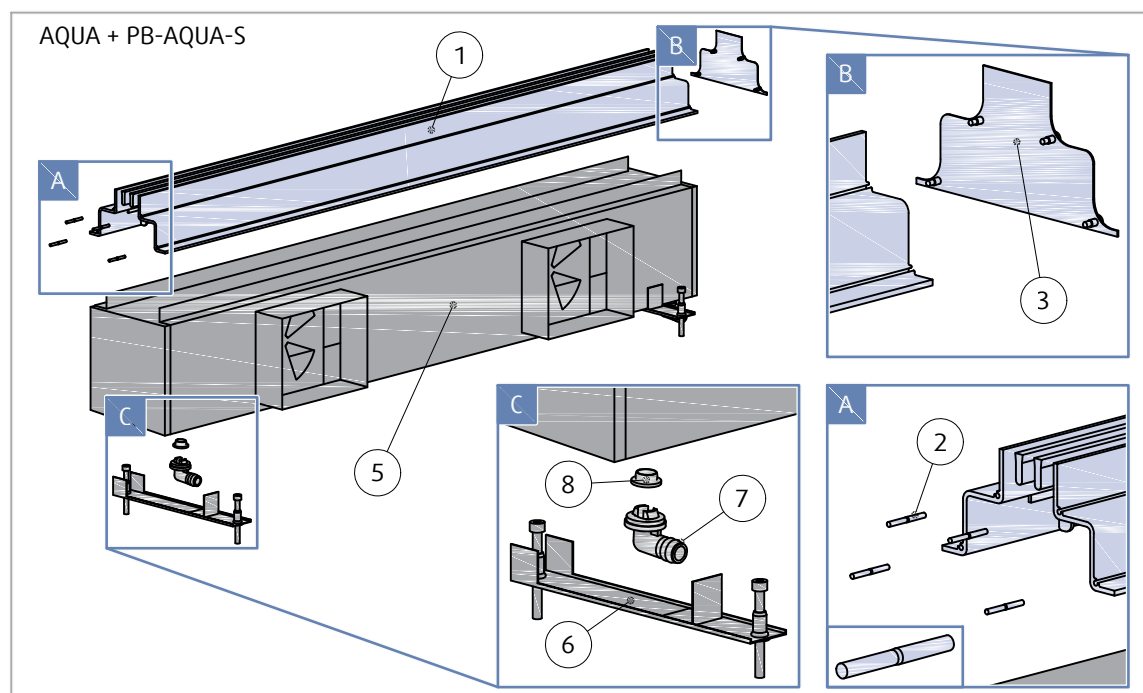
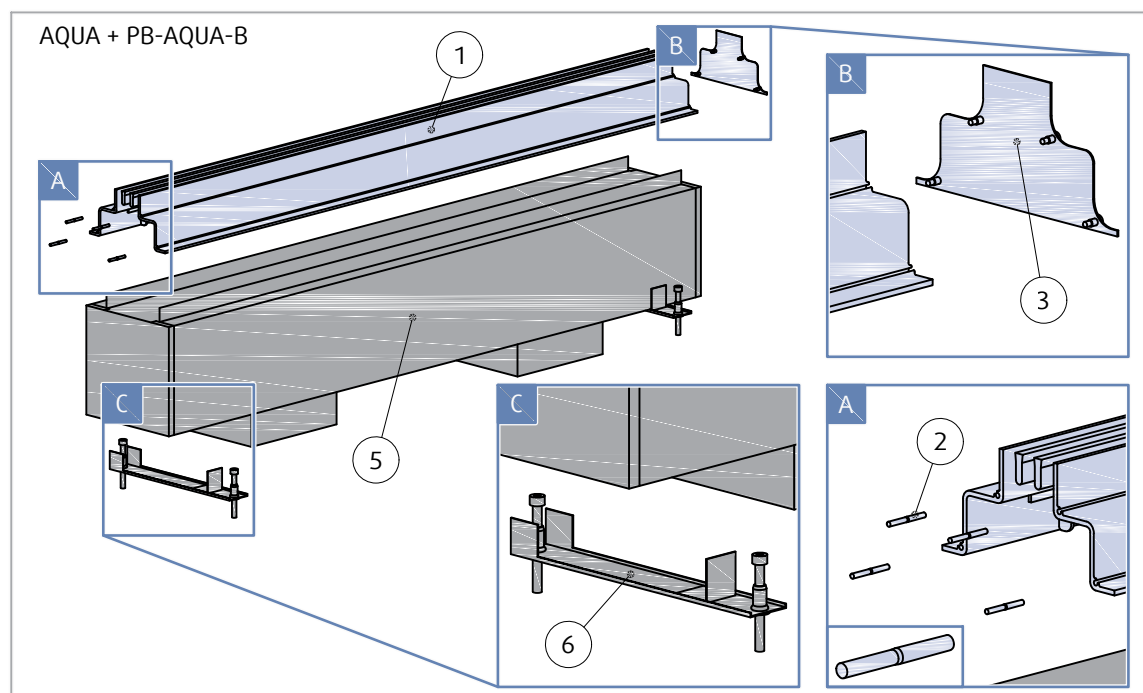
Get In Touch

Call: [0845 6880112](tel:08456880112)
 Email: info@adremit.co.uk

Our Address

Puravent, Adremit Limited, Unit 5a, Commercial Yard,
 Settle, North Yorkshire, BD24 9RH

Product Parts



Legend

- 1 Console
- 2 CP-HELLA connection pins (accessory)
- 3 EC-AQUA end cap (accessory)
- 5 PB-AQUA plenum box (accessory)
- 6 LB-AQUA levelling bridge (accessory)
- 7 DN-AQUA drainage nipple (accessory)
- 8 DP-AQUA drainage plug (accessory)



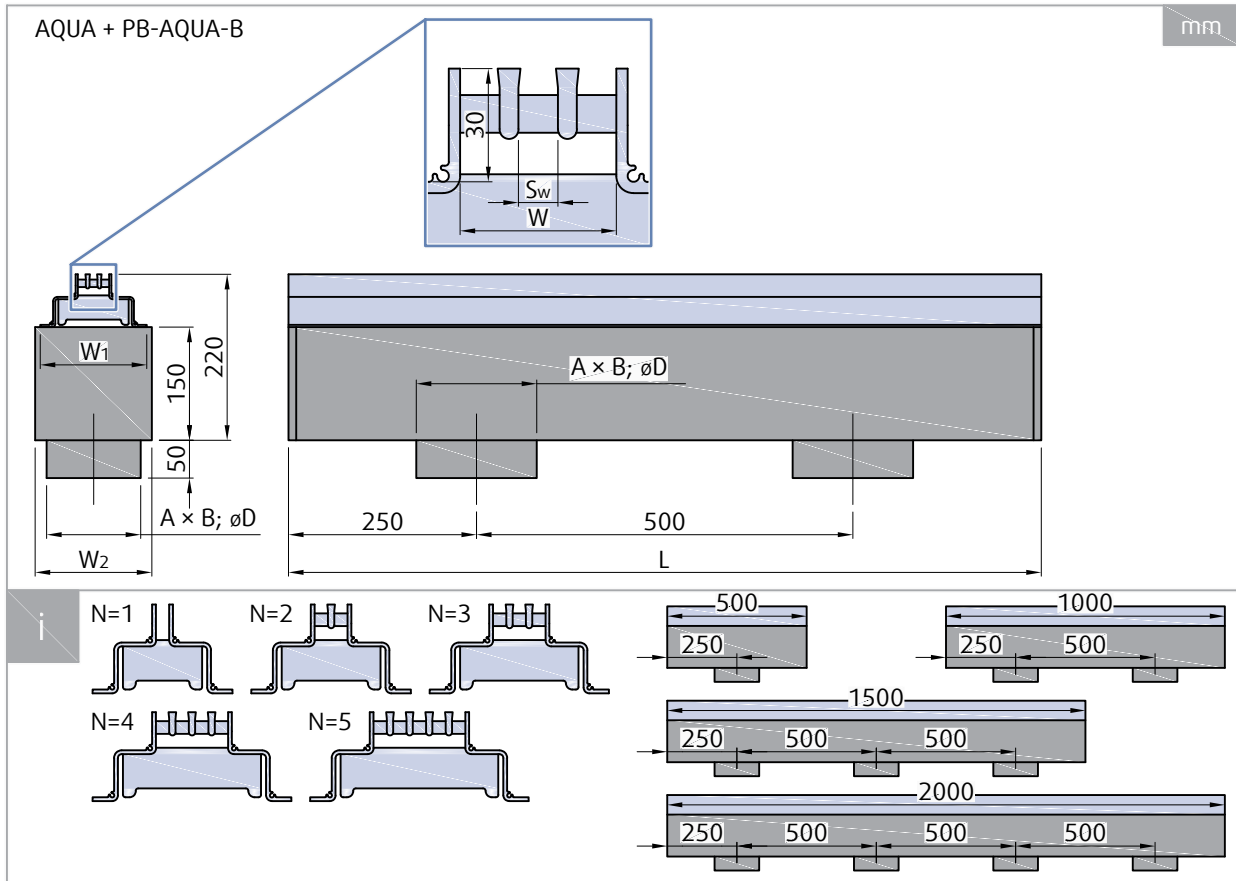
Get In Touch

Call: 0845 6880112
 Email: info@adremit.co.uk

Our Address

Puravent, Adremit Limited, Unit 5a, Commercial Yard,
 Settle, North Yorkshire, BD24 9RH

Dimensions



L mm	N	S _w	W	W ₁	W ₂	A	B	øD
		mm						
500/1000/1500/2000	1	-	8	109	155	-	-	98
		-	10	111				
		-	12	113				
	2	8	22	122	155	-	-	123
		10	26	126				
		12	30	130				
	3	8	36	136	155	-	-	-
		10	42	142				
		12	48	148				
	4	8	49	149	155	160	125	-
		10	57	157				
		12	65	165				
	5	8	63	163	163	-	-	-
		10	73	173				
		12	83	183				

L mm	N	m	
		kg	
500	1	2,5	
	2	2,4	
	3	2,3	
	4	2,3	
	5	2,4	
1000	1	4,9	
	2	4,8	
	3	4,7	
	4	4,3	
	5	4,5	
1500	1	7,3	
	2	7	
	3	6,8	
	4	6,4	
	5	6,6	
2000	1	9,6	
	2	9,1	
	3	8,6	
	4	8,5	
	5	8,8	



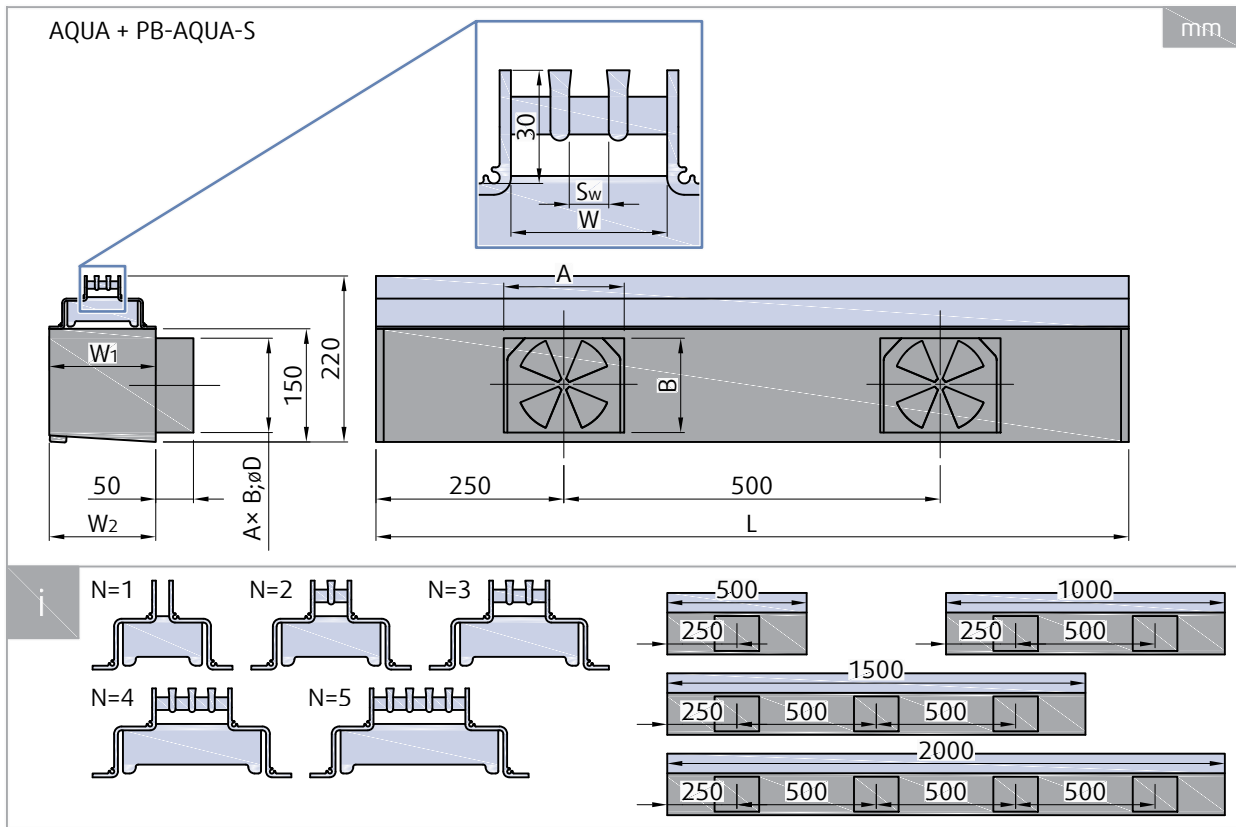
Get In Touch

Call: 0845 6880112
 Email: info@adremit.co.uk

Our Address

Puravent, Adremit Limited, Unit 5a, Commercial Yard, Settle, North Yorkshire, BD24 9RH





L mm	N	S _w	W	W ₁	W ₂	A	B	∅D		
		mm								
500/1000/1500/2000	1	-	8	109	109	-	-	98		
		-	10	111	111					
		-	12	113	113					
	2	8	22	122	122			123		
		10	26	126	126					
		12	30	130	130					
	3	8	36	136	136			160	125	-
		10	42	142	142					
		12	48	148	148					
	4	8	49	149	149					
		10	57	157	157					
		12	65	165	165					
	5	8	63	163	163					
		10	73	173	173					
		12	83	183	183					

L mm	N	m
		kg
500	1	2
	2	2,1
	3	2,2
	4	2,3
	5	2,4
1000	1	3,9
	2	4
	3	4,2
	4	4,3
	5	4,5
1500	1	5,8
	2	6
	3	6,2
	4	6,4
	5	6,6
2000	1	7,6
	2	7,9
	3	8,2
	4	8,5
	5	8,8



Get In Touch

Call: 0845 6880112
 Email: info@adremit.co.uk

Our Address

Puravent, Adremit Limited, Unit 5a, Commercial Yard,
 Settle, North Yorkshire, BD24 9RH



Ordering Codes

PB-AQUA

Duct connection orientation

- B** Vertical, from bottom
- S** Horizontal, from the side

Number of slots on corresponding diffuser (N)

- 1
- 2
- 3
- 4
- 5

Slot Width (mm)

- 8
- 10
- 12

Length (mm)

- 500
- 1000
- 1500
- 2000

NOTE:

Plenum boxes PB-AQUA have for each 500 mm of their length one connection (horizontal or vertical). The connection shape and dimension is adapted to the number of diffuser slots.

Example of the Ordering Code

PB-AQUA-S-4-10-1500

Plenum box for 4-slot diffuser with 10 mm slot width, 1500 mm length with horizontal side connection.



Get In Touch

- Call: [0845 6880112](tel:08456880112)
- Email: info@adremit.co.uk

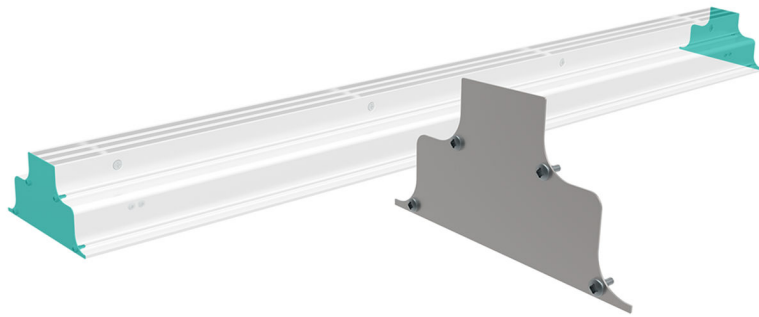
Our Address

Puravent, Adremit Limited, Unit 5a, Commercial Yard,
Settle, North Yorkshire, BD24 9RH



EC-AQUA

End Cap



Description

The end caps for AQUA diffusers are optional part of the frame that covers the ends of the console of a sole diffuser or both outermost ends of the multiple diffusers array. They avoid the fluid building materials (concrete, mortar...) from intruding into the diffuser console during installation and floor finishing.

Design

EC-AQUA is made from anodized aluminium sheet. The end cap can be attached to the diffuser by screws, that are included in the package of EC-AQUA.

Get In Touch



Call: [0845 6880112](tel:08456880112)



Email: info@adremit.co.uk

Our Address

Puravent, Adremit Limited, Unit 5a, Commercial Yard,
Settle, North Yorkshire, BD24 9RH

Ordering Codes

EC-AQUA

Number of slots (N)

1

2

3

4

5

Slot Width (mm)

8

10

12

Example of the Ordering Code

EC-AQUA-2-10

End cap for the AQUA diffuser with 2 slots of 10 mm width.



Get In Touch



Call: [0845 6880112](tel:08456880112)



Email: info@adremit.co.uk

Our Address

Puravent, Adremit Limited, Unit 5a, Commercial Yard,
Settle, North Yorkshire, BD24 9RH

CP-HELLA

Connection Pin

**Description**

CP-HELLA is a connecting pin for joining neighbouring diffusers AQUA in an array.

Design

Circular profile pin from stainless steel. The pins are applied in the holes at the ends of the longitudinal frame profiles of the diffuser AQUA.

Ordering, Calculation

The quantity of CP-HELLA required to join multiple diffusers in an array: $p = 4 \cdot (n - 1)$

p = required quantity of CP-HELLA pins

n = number of AQUA diffusers in the array

The CP-HELLA connection pins can be ordered in the package unit of 50 pieces by the Item Number 141358.

LB-AQUA

Leveling bridge for diffuser AQUA and plenum box PB-AQUA

Article No. 247218

**Get In Touch**

Call: [0845 6880112](tel:08456880112)
Email: info@adremit.co.uk

Our Address

Puravent, Adremit Limited, Unit 5a, Commercial Yard,
Settle, North Yorkshire, BD24 9RH

DN-AQUA

Drainage nipple for plenum box PB-AQUA, size $\varnothing 1/2''$

Article No. 247220



DP-AQUA

Drainage plug for plenum box PB-AQUA. Part of the delivery of PB-AQUA-S.

Article No. 247219



Quick Selection

Air flow volume q_v at different A-weighted sound power levels L_{WA}

Item	35 dB(A)		40 dB(A)		45 dB(A)	
	m ³ /h	l/s	m ³ /h	l/s	m ³ /h	l/s
AQUA-1-8-500	148	41	175	49	207	57
AQUA-1-8-500 + PB-AQUA-S-1-8-500 / PB-AQUA-B-1-8-500	101	28	119	33	141	39
AQUA-1-8-1000	295	82	350	97	413	115
AQUA-1-8-1000 + PB-AQUA-S-1-8-1000 / PB-AQUA-B-1-8-1000	200	55	237	66	280	78
AQUA-1-8-1500	443	123	525	146	620	172
AQUA-1-8-1500 + PB-AQUA-S-1-8-1500 / PB-AQUA-B-1-8-1500	302	84	359	100	422	117
AQUA-1-8-2000	590	164	701	195	827	230
AQUA-1-8-2000 + PB-AQUA-S-1-8-2000 / PB-AQUA-B-1-8-2000	401	111	476	132	561	156
AQUA-1-10-500	173	48	205	57	242	67
AQUA-1-10-500 + PB-AQUA-S-1-10-500 / PB-AQUA-B-1-10-500	117	33	140	39	164	46
AQUA-1-10-1000	345	96	410	114	484	134
AQUA-1-10-1000 + PB-AQUA-S-1-10-1000 / PB-AQUA-B-1-10-1000	235	65	279	78	330	92
AQUA-1-10-1500	517	144	615	171	725	202
AQUA-1-10-1500 + PB-AQUA-S-1-10-1500 / PB-AQUA-B-1-10-1500	354	98	419	116	492	137
AQUA-1-10-2000	690	192	820	228	967	269
AQUA-1-10-2000 + PB-AQUA-S-1-10-2000 / PB-AQUA-B-1-10-2000	469	130	558	155	658	183
AQUA-1-12-500	199	55	235	65	277	77
AQUA-1-12-500 + PB-AQUA-S-1-12-500 / PB-AQUA-B-1-12-500	135	38	161	45	189	52
AQUA-1-12-1000	397	110	470	131	553	154
AQUA-1-12-1000 + PB-AQUA-S-1-12-1000 / PB-AQUA-B-1-12-1000	270	75	320	89	375	104
AQUA-1-12-1500	595	165	706	196	829	230
AQUA-1-12-1500 + PB-AQUA-S-1-12-1500 / PB-AQUA-B-1-12-1500	403	112	478	133	563	156
AQUA-1-12-2000	794	220	941	261	1106	307
AQUA-1-12-2000 + PB-AQUA-S-1-12-2000 / PB-AQUA-B-1-12-2000	538	149	638	177	752	209
AQUA-2-8-500	207	58	249	69	297	83
AQUA-2-8-500 + PB-AQUA-S-2-8-500 / PB-AQUA-B-2-8-500	141	39	170	47	203	56
AQUA-2-8-1000	415	115	499	139	594	165
AQUA-2-8-1000 + PB-AQUA-S-2-8-1000 / PB-AQUA-B-2-8-1000	282	78	339	94	404	112
AQUA-2-8-1500	622	173	749	208	891	248
AQUA-2-8-1500 + PB-AQUA-S-2-8-1500 / PB-AQUA-B-2-8-1500	423	117	509	141	606	168
AQUA-2-8-2000	830	230	998	277	1188	330
AQUA-2-8-2000 + PB-AQUA-S-2-8-2000 / PB-AQUA-B-2-8-2000	564	157	679	189	810	225
AQUA-2-10-500	246	68	296	82	352	98
AQUA-2-10-500 + PB-AQUA-S-2-10-500 / PB-AQUA-B-2-10-500	167	47	201	56	239	66
AQUA-2-10-1000	493	137	593	165	704	195
AQUA-2-10-1000 + PB-AQUA-S-2-10-1000 / PB-AQUA-B-2-10-1000	335	93	402	112	477	132
AQUA-2-10-1500	739	205	889	247	1055	293



Get In Touch

Call: [0845 6880112](tel:08456880112)
 Email: info@adremit.co.uk


Our Address

Puravent, Adremit Limited, Unit 5a, Commercial Yard,
 Settle, North Yorkshire, BD24 9RH

AQUA-2-10-1500 + PB-AQUA-S-2-10-1500 / PB-AQUA-B-2-10-1500	502	139	603	168	716	199
AQUA-2-10-2000	986	274	1185	329	1407	391
AQUA-2-10-2000 + PB-AQUA-S-2-10-2000 / PB-AQUA-B-2-10-2000	670	186	806	224	958	266
AQUA-2-12-500	290	81	348	97	412	114
AQUA-2-12-500 + PB-AQUA-S-2-12-500 / PB-AQUA-B-2-12-500	198	55	237	66	280	78
AQUA-2-12-1000	581	161	697	194	824	229
AQUA-2-12-1000 + PB-AQUA-S-2-12-1000 / PB-AQUA-B-2-12-1000	395	110	473	132	561	156
AQUA-2-12-1500	872	242	1045	290	1236	343
AQUA-2-12-1500 + PB-AQUA-S-2-12-1500 / PB-AQUA-B-2-12-1500	594	165	712	198	842	234
AQUA-2-12-2000	1163	323	1393	387	1648	458
AQUA-2-12-2000 + PB-AQUA-S-2-12-2000 / PB-AQUA-B-2-12-2000	791	220	947	263	1118	311
AQUA-3-8-500	285	79	333	93	384	107
AQUA-3-8-500 + PB-AQUA-S-3-8-500 / PB-AQUA-B-3-8-500	162	45	189	53	218	61
AQUA-3-8-1000	571	158	667	185	768	213
AQUA-3-8-1000 + PB-AQUA-S-3-8-1000 / PB-AQUA-B-3-8-1000	324	90	379	105	437	121
AQUA-3-8-1500	856	238	1001	278	1152	320
AQUA-3-8-1500 + PB-AQUA-S-3-8-1500 / PB-AQUA-B-3-8-1500	488	136	571	159	658	183
AQUA-3-8-2000	1141	317	1334	371	1537	427
AQUA-3-8-2000 + PB-AQUA-S-3-8-2000 / PB-AQUA-B-3-8-2000	652	181	763	212	878	244
AQUA-3-10-500	342	95	406	113	475	132
AQUA-3-10-500 + PB-AQUA-S-3-10-500 / PB-AQUA-B-3-10-500	194	54	231	64	270	75
AQUA-3-10-1000	684	190	813	226	950	264
AQUA-3-10-1000 + PB-AQUA-S-3-10-1000 / PB-AQUA-B-3-10-1000	390	108	463	129	542	150
AQUA-3-10-1500	1026	285	1218	338	1424	396
AQUA-3-10-1500 + PB-AQUA-S-3-10-1500 / PB-AQUA-B-3-10-1500	586	163	695	193	813	226
AQUA-3-10-2000	1368	380	1624	451	1899	527
AQUA-3-10-2000 + PB-AQUA-S-3-10-2000 / PB-AQUA-B-3-10-2000	781	217	928	258	1084	301
AQUA-3-12-500	413	115	500	139	593	165
AQUA-3-12-500 + PB-AQUA-S-3-12-500 / PB-AQUA-B-3-12-500	236	66	285	79	338	94
AQUA-3-12-1000	826	230	1001	278	1187	330
AQUA-3-12-1000 + PB-AQUA-S-3-12-1000 / PB-AQUA-B-3-12-1000	472	131	572	159	679	189
AQUA-3-12-1500	1239	344	1501	417	1781	495
AQUA-3-12-1500 + PB-AQUA-S-3-12-1500 / PB-AQUA-B-3-12-1500	706	196	856	238	1017	283
AQUA-3-12-2000	1653	459	2001	556	2374	659
AQUA-3-12-2000 + PB-AQUA-S-3-12-2000 / PB-AQUA-B-3-12-2000	942	262	1142	317	1354	376
AQUA-4-8-500	367	102	434	120	504	140
AQUA-4-8-500 + PB-AQUA-S-4-8-500 / PB-AQUA-B-4-8-500	197	55	235	65	275	76
AQUA-4-8-1000	734	204	868	241	1008	280
AQUA-4-8-1000 + PB-AQUA-S-4-8-1000 / PB-AQUA-B-4-8-1000	393	109	469	130	549	152
AQUA-4-8-1500	1102	306	1302	362	1512	420
AQUA-4-8-1500 + PB-AQUA-S-4-8-1500 / PB-AQUA-B-4-8-1500	591	164	703	195	822	228



Get In Touch


 Call: [0845 6880112](tel:08456880112)
 Email: info@adremit.co.uk

Our Address

Puravent, Adremit Limited, Unit 5a, Commercial Yard,
Settle, North Yorkshire, BD24 9RH

AQUA-4-8-2000	1469	408	1735	482	2016	560
AQUA-4-8-2000 + PB-AQUA-S-4-8-2000 / PB-AQUA-B-4-8-2000	789	219	940	261	1098	305
AQUA-4-10-500	449	125	532	148	621	172
AQUA-4-10-500 + PB-AQUA-S-4-10-500 / PB-AQUA-B-4-10-500	238	66	282	78	328	91
AQUA-4-10-1000	897	249	1063	295	1242	345
AQUA-4-10-1000 + PB-AQUA-S-4-10-1000 / PB-AQUA-B-4-10-1000	475	132	562	156	655	182
AQUA-4-10-1500	1346	374	1595	443	1862	517
AQUA-4-10-1500 + PB-AQUA-S-4-10-1500 / PB-AQUA-B-4-10-1500	713	198	844	234	985	274
AQUA-4-10-2000	1795	499	2127	591	2484	690
AQUA-4-10-2000 + PB-AQUA-S-4-10-2000 / PB-AQUA-B-4-10-2000	947	263	1123	312	1310	364
AQUA-4-12-500	541	150	645	179	757	210
AQUA-4-12-500 + PB-AQUA-S-4-12-500 / PB-AQUA-B-4-12-500	278	77	329	91	383	106
AQUA-4-12-1000	1081	300	1290	358	1514	421
AQUA-4-12-1000 + PB-AQUA-S-4-12-1000 / PB-AQUA-B-4-12-1000	557	155	658	183	766	213
AQUA-4-12-1500	1622	451	1935	538	2271	631
AQUA-4-12-1500 + PB-AQUA-S-4-12-1500 / PB-AQUA-B-4-12-1500	833	232	986	274	1149	319
AQUA-4-12-2000	2162	601	2579	717	3028	841
AQUA-4-12-2000 + PB-AQUA-S-4-12-2000 / PB-AQUA-B-4-12-2000	1114	310	1317	366	1534	426
AQUA-5-8-500	477	132	568	158	664	184
AQUA-5-8-500 + PB-AQUA-S-5-8-500 / PB-AQUA-B-5-8-500	209	58	247	69	287	80
AQUA-5-8-1000	954	265	1136	316	1327	369
AQUA-5-8-1000 + PB-AQUA-S-5-8-1000 / PB-AQUA-B-5-8-1000	418	116	494	137	575	160
AQUA-5-8-1500	1430	397	1704	473	1991	553
AQUA-5-8-1500 + PB-AQUA-S-5-8-1500 / PB-AQUA-B-5-8-1500	626	174	739	205	859	239
AQUA-5-8-2000	1908	530	2272	631	2655	737
AQUA-5-8-2000 + PB-AQUA-S-5-8-2000 / PB-AQUA-B-5-8-2000	838	233	991	275	1151	320
AQUA-5-10-500	575	160	681	189	794	220
AQUA-5-10-500 + PB-AQUA-S-5-10-500 / PB-AQUA-B-5-10-500	255	71	303	84	354	98
AQUA-5-10-1000	1151	320	1362	378	1587	441
AQUA-5-10-1000 + PB-AQUA-S-5-10-1000 / PB-AQUA-B-5-10-1000	513	143	608	169	710	197
AQUA-5-10-1500	1726	479	2043	567	2382	662
AQUA-5-10-1500 + PB-AQUA-S-5-10-1500 / PB-AQUA-B-5-10-1500	767	213	910	253	1062	295
AQUA-5-10-2000	2301	639	2724	757	3176	882
AQUA-5-10-2000 + PB-AQUA-S-5-10-2000 / PB-AQUA-B-5-10-2000	1024	284	1213	337	1418	394
AQUA-5-12-500	673	187	796	221	926	257
AQUA-5-12-500 + PB-AQUA-S-5-12-500 / PB-AQUA-B-5-12-500	310	86	369	102	433	120
AQUA-5-12-1000	1346	374	1590	442	1853	515
AQUA-5-12-1000 + PB-AQUA-S-5-12-1000 / PB-AQUA-B-5-12-1000	619	172	737	205	864	240
AQUA-5-12-1500	2019	561	2386	663	2779	772
AQUA-5-12-1500 + PB-AQUA-S-5-12-1500 / PB-AQUA-B-5-12-1500	925	257	1104	307	1296	360
AQUA-5-12-2000	2691	748	3181	884	3706	1029

Get In Touch

 Call: [0845 6880112](tel:08456880112)
 Email: info@adremit.co.uk

Our Address

Puravent, Adremit Limited, Unit 5a, Commercial Yard,
Settle, North Yorkshire, BD24 9RH





AQUA-5-12-2000 + PB-AQUA-S-5-12-2000 / PB-AQUA-B-5-12-2000	1231	342	1468	408	1724	479
--	------	-----	------	-----	------	-----

NOTE: The working points were measured with open adjustment damper.



Get In Touch

 Call: [0845 6880112](tel:08456880112)
 Email: info@adremit.co.uk

Our Address



Puravent, Adremit Limited, Unit 5a, Commercial Yard,
Settle, North Yorkshire, BD24 9RH



Air flow volume q_v at different A-weighted sound pressure levels L_{pA} with 10m² absorbtion area

Item	30 dB(A)		35 dB(A)		40 dB(A)	
	m ³ /h	l/s	m ³ /h	l/s	m ³ /h	l/s
AQUA-1-8-500	142	40	170	47	200	56
AQUA-1-8-500 + PB-AQUA-S-1-8-500 / PB-AQUA-B-1-8-500	97	27	116	32	137	38
AQUA-1-8-1000	285	79	339	94	400	111
AQUA-1-8-1000 + PB-AQUA-S-1-8-1000 / PB-AQUA-B-1-8-1000	193	54	229	64	271	75
AQUA-1-8-1500	427	119	508	141	600	167
AQUA-1-8-1500 + PB-AQUA-S-1-8-1500 / PB-AQUA-B-1-8-1500	291	81	346	96	409	114
AQUA-1-8-2000	569	158	677	188	800	222
AQUA-1-8-2000 + PB-AQUA-S-1-8-2000 / PB-AQUA-B-1-8-2000	387	107	460	128	543	151
AQUA-1-10-500	167	46	198	55	234	65
AQUA-1-10-500 + PB-AQUA-S-1-10-500 / PB-AQUA-B-1-10-500	113	31	135	38	159	44
AQUA-1-10-1000	333	92	396	110	468	130
AQUA-1-10-1000 + PB-AQUA-S-1-10-1000 / PB-AQUA-B-1-10-1000	227	63	270	75	319	89
AQUA-1-10-1500	499	139	594	165	702	195
AQUA-1-10-1500 + PB-AQUA-S-1-10-1500 / PB-AQUA-B-1-10-1500	341	95	405	112	477	132
AQUA-1-10-2000	666	185	792	220	936	260
AQUA-1-10-2000 + PB-AQUA-S-1-10-2000 / PB-AQUA-B-1-10-2000	453	126	539	150	637	177
AQUA-1-12-500	191	53	227	63	268	74
AQUA-1-12-500 + PB-AQUA-S-1-12-500 / PB-AQUA-B-1-12-500	131	36	155	43	183	51
AQUA-1-12-1000	383	106	455	126	536	149
AQUA-1-12-1000 + PB-AQUA-S-1-12-1000 / PB-AQUA-B-1-12-1000	261	72	309	86	364	101
AQUA-1-12-1500	575	160	683	190	804	223
AQUA-1-12-1500 + PB-AQUA-S-1-12-1500 / PB-AQUA-B-1-12-1500	389	108	462	128	545	151
AQUA-1-12-2000	766	213	911	253	1072	298
AQUA-1-12-2000 + PB-AQUA-S-1-12-2000 / PB-AQUA-B-1-12-2000	518	144	617	171	729	202
AQUA-2-8-500	200	55	241	67	287	80
AQUA-2-8-500 + PB-AQUA-S-2-8-500 / PB-AQUA-B-2-8-500	136	38	164	46	196	54
AQUA-2-8-1000	399	111	481	134	575	160
AQUA-2-8-1000 + PB-AQUA-S-2-8-1000 / PB-AQUA-B-2-8-1000	271	75	327	91	390	108
AQUA-2-8-1500	598	166	722	201	862	239
AQUA-2-8-1500 + PB-AQUA-S-2-8-1500 / PB-AQUA-B-2-8-1500	407	113	491	136	585	163
AQUA-2-8-2000	798	222	963	267	1148	319
AQUA-2-8-2000 + PB-AQUA-S-2-8-2000 / PB-AQUA-B-2-8-2000	542	151	655	182	783	217
AQUA-2-10-500	237	66	286	79	340	95
AQUA-2-10-500 + PB-AQUA-S-2-10-500 / PB-AQUA-B-2-10-500	161	45	194	54	231	64
AQUA-2-10-1000	474	132	572	159	681	189
AQUA-2-10-1000 + PB-AQUA-S-2-10-1000 / PB-AQUA-B-2-10-1000	322	89	388	108	461	128
AQUA-2-10-1500	711	197	857	238	1020	283
AQUA-2-10-1500 + PB-AQUA-S-2-10-1500 / PB-AQUA-B-2-10-1500	483	134	582	162	692	192
AQUA-2-10-2000	948	263	1144	318	1361	378

Get In Touch

 Call: 0845 6880112
 Email: info@adremit.co.uk



Our Address

Puravent, Adremit Limited, Unit 5a, Commercial Yard,
Settle, North Yorkshire, BD24 9RH

AQUA-2-10-2000 + PB-AQUA-S-2-10-2000 / PB-AQUA-B-2-10-2000	645	179	778	216	927	257
AQUA-2-12-500	279	78	337	93	399	111
AQUA-2-12-500 + PB-AQUA-S-2-12-500 / PB-AQUA-B-2-12-500	190	53	229	64	270	75
AQUA-2-12-1000	559	155	673	187	797	221
AQUA-2-12-1000 + PB-AQUA-S-2-12-1000 / PB-AQUA-B-2-12-1000	380	105	457	127	542	151
AQUA-2-12-1500	839	233	1009	280	1196	332
AQUA-2-12-1500 + PB-AQUA-S-2-12-1500 / PB-AQUA-B-2-12-1500	571	159	687	191	815	226
AQUA-2-12-2000	1119	311	1346	374	1595	443
AQUA-2-12-2000 + PB-AQUA-S-2-12-2000 / PB-AQUA-B-2-12-2000	761	211	915	254	1083	301
AQUA-3-8-500	276	77	324	90	373	104
AQUA-3-8-500 + PB-AQUA-S-3-8-500 / PB-AQUA-B-3-8-500	157	44	184	51	213	59
AQUA-3-8-1000	551	153	648	180	747	208
AQUA-3-8-1000 + PB-AQUA-S-3-8-1000 / PB-AQUA-B-3-8-1000	313	87	368	102	425	118
AQUA-3-8-1500	827	230	971	270	1121	311
AQUA-3-8-1500 + PB-AQUA-S-3-8-1500 / PB-AQUA-B-3-8-1500	472	131	555	154	640	178
AQUA-3-8-2000	1102	306	1295	360	1495	415
AQUA-3-8-2000 + PB-AQUA-S-3-8-2000 / PB-AQUA-B-3-8-2000	630	175	740	206	854	237
AQUA-3-10-500	329	91	393	109	460	128
AQUA-3-10-500 + PB-AQUA-S-3-10-500 / PB-AQUA-B-3-10-500	187	52	223	62	262	73
AQUA-3-10-1000	659	183	786	218	921	256
AQUA-3-10-1000 + PB-AQUA-S-3-10-1000 / PB-AQUA-B-3-10-1000	376	104	448	125	526	146
AQUA-3-10-1500	988	275	1179	327	1382	384
AQUA-3-10-1500 + PB-AQUA-S-3-10-1500 / PB-AQUA-B-3-10-1500	564	157	673	187	789	219
AQUA-3-10-2000	1318	366	1572	437	1842	512
AQUA-3-10-2000 + PB-AQUA-S-3-10-2000 / PB-AQUA-B-3-10-2000	753	209	897	249	1052	292
AQUA-3-12-500	396	110	483	134	574	160
AQUA-3-12-500 + PB-AQUA-S-3-12-500 / PB-AQUA-B-3-12-500	226	63	275	76	327	91
AQUA-3-12-1000	792	220	965	268	1149	319
AQUA-3-12-1000 + PB-AQUA-S-3-12-1000 / PB-AQUA-B-3-12-1000	453	126	552	153	657	182
AQUA-3-12-1500	1189	330	1448	402	1723	479
AQUA-3-12-1500 + PB-AQUA-S-3-12-1500 / PB-AQUA-B-3-12-1500	677	188	826	229	984	273
AQUA-3-12-2000	1584	440	1930	536	2297	638
AQUA-3-12-2000 + PB-AQUA-S-3-12-2000 / PB-AQUA-B-3-12-2000	903	251	1101	306	1310	364
AQUA-4-8-500	354	98	421	117	489	136
AQUA-4-8-500 + PB-AQUA-S-4-8-500 / PB-AQUA-B-4-8-500	189	53	227	63	266	74
AQUA-4-8-1000	708	197	841	234	979	272
AQUA-4-8-1000 + PB-AQUA-S-4-8-1000 / PB-AQUA-B-4-8-1000	379	105	454	126	532	148
AQUA-4-8-1500	1062	295	1261	350	1468	408
AQUA-4-8-1500 + PB-AQUA-S-4-8-1500 / PB-AQUA-B-4-8-1500	569	158	681	189	797	221
AQUA-4-8-2000	1416	393	1682	467	1958	544
AQUA-4-8-2000 + PB-AQUA-S-4-8-2000 / PB-AQUA-B-4-8-2000	759	211	910	253	1066	296



Get In Touch

 Call: [0845 6880112](tel:08456880112)
 Email: info@adremit.co.uk



Our Address

Puravent, Adremit Limited, Unit 5a, Commercial Yard,
Settle, North Yorkshire, BD24 9RH

AQUA-4-10-500	433	120	515	143	603	167
AQUA-4-10-500 + PB-AQUA-S-4-10-500 / PB-AQUA-B-4-10-500	229	64	273	76	318	88
AQUA-4-10-1000	865	240	1030	286	1205	335
AQUA-4-10-1000 + PB-AQUA-S-4-10-1000 / PB-AQUA-B-4-10-1000	457	127	544	151	635	177
AQUA-4-10-1500	1298	360	1544	429	1808	502
AQUA-4-10-1500 + PB-AQUA-S-4-10-1500 / PB-AQUA-B-4-10-1500	688	191	818	227	956	266
AQUA-4-10-2000	1730	481	2059	572	2409	669
AQUA-4-10-2000 + PB-AQUA-S-4-10-2000 / PB-AQUA-B-4-10-2000	913	254	1087	302	1272	353
AQUA-4-12-500	520	145	623	173	734	204
AQUA-4-12-500 + PB-AQUA-S-4-12-500 / PB-AQUA-B-4-12-500	267	74	318	88	371	103
AQUA-4-12-1000	1041	289	1247	346	1468	408
AQUA-4-12-1000 + PB-AQUA-S-4-12-1000 / PB-AQUA-B-4-12-1000	538	149	638	177	744	207
AQUA-4-12-1500	1561	433	1871	520	2201	611
AQUA-4-12-1500 + PB-AQUA-S-4-12-1500 / PB-AQUA-B-4-12-1500	804	223	954	265	1115	310
AQUA-4-12-2000	2081	578	2494	693	2935	815
AQUA-4-12-2000 + PB-AQUA-S-4-12-2000 / PB-AQUA-B-4-12-2000	1075	299	1276	354	1489	414
AQUA-5-8-500	459	128	549	153	644	179
AQUA-5-8-500 + PB-AQUA-S-5-8-500 / PB-AQUA-B-5-8-500	202	56	239	66	279	77
AQUA-5-8-1000	918	255	1099	305	1288	358
AQUA-5-8-1000 + PB-AQUA-S-5-8-1000 / PB-AQUA-B-5-8-1000	403	112	479	133	558	155
AQUA-5-8-1500	1376	382	1649	458	1933	537
AQUA-5-8-1500 + PB-AQUA-S-5-8-1500 / PB-AQUA-B-5-8-1500	603	167	716	199	835	232
AQUA-5-8-2000	1835	510	2199	611	2576	716
AQUA-5-8-2000 + PB-AQUA-S-5-8-2000 / PB-AQUA-B-5-8-2000	808	224	960	267	1118	311
AQUA-5-10-500	555	154	660	183	771	214
AQUA-5-10-500 + PB-AQUA-S-5-10-500 / PB-AQUA-B-5-10-500	246	68	293	81	343	95
AQUA-5-10-1000	1109	308	1319	366	1541	428
AQUA-5-10-1000 + PB-AQUA-S-5-10-1000 / PB-AQUA-B-5-10-1000	494	137	588	163	689	191
AQUA-5-10-1500	1664	462	1978	550	2312	642
AQUA-5-10-1500 + PB-AQUA-S-5-10-1500 / PB-AQUA-B-5-10-1500	740	205	880	245	1031	286
AQUA-5-10-2000	2218	616	2638	733	3082	856
AQUA-5-10-2000 + PB-AQUA-S-5-10-2000 / PB-AQUA-B-5-10-2000	986	274	1175	326	1375	382
AQUA-5-12-500	649	180	771	214	900	250
AQUA-5-12-500 + PB-AQUA-S-5-12-500 / PB-AQUA-B-5-12-500	298	83	357	99	420	117
AQUA-5-12-1000	1298	361	1540	428	1799	500
AQUA-5-12-1000 + PB-AQUA-S-5-12-1000 / PB-AQUA-B-5-12-1000	596	165	713	198	839	233
AQUA-5-12-1500	1947	541	2311	642	2698	749
AQUA-5-12-1500 + PB-AQUA-S-5-12-1500 / PB-AQUA-B-5-12-1500	891	247	1068	297	1256	349
AQUA-5-12-2000	2596	721	3081	856	3597	999
AQUA-5-12-2000 + PB-AQUA-S-5-12-2000 / PB-AQUA-B-5-12-2000	1184	329	1419	394	1671	464



Get In Touch

 Call: [0845 6880112](tel:08456880112)
 Email: info@adremit.co.uk

Our Address

Puravent, Adremit Limited, Unit 5a, Commercial Yard,
Settle, North Yorkshire, BD24 9RH

NOTE: The working points were measured with open adjustment damper.

Technical Parameters

Diagrams and technical parameters are available at design.systemair.com



Get In Touch

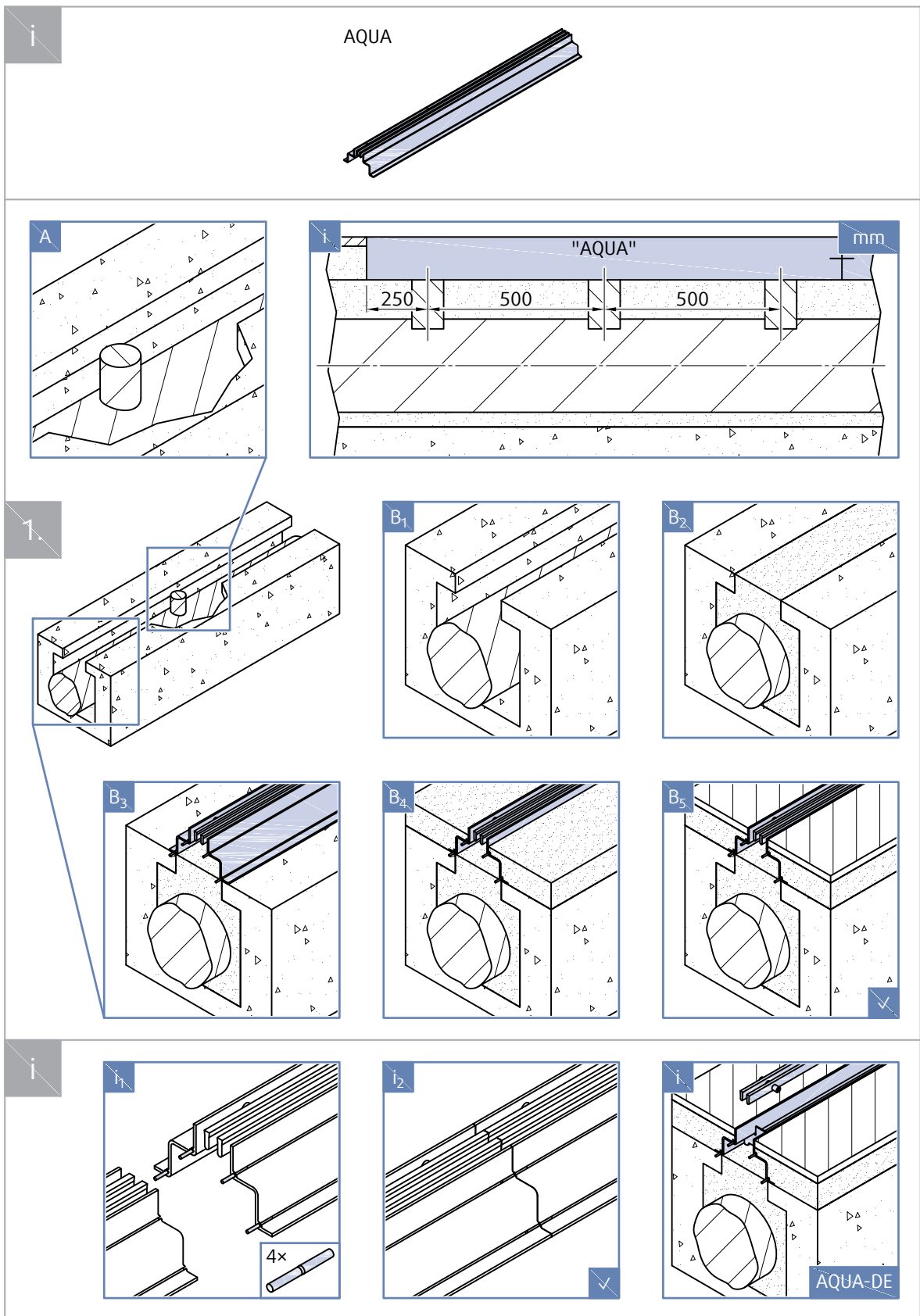
 **Call:** [0845 6880112](tel:08456880112)
 **Email:** info@adremit.co.uk

Our Address

Puravent, Adremit Limited, Unit 5a, Commercial Yard,
Settle, North Yorkshire, BD24 9RH



Installation



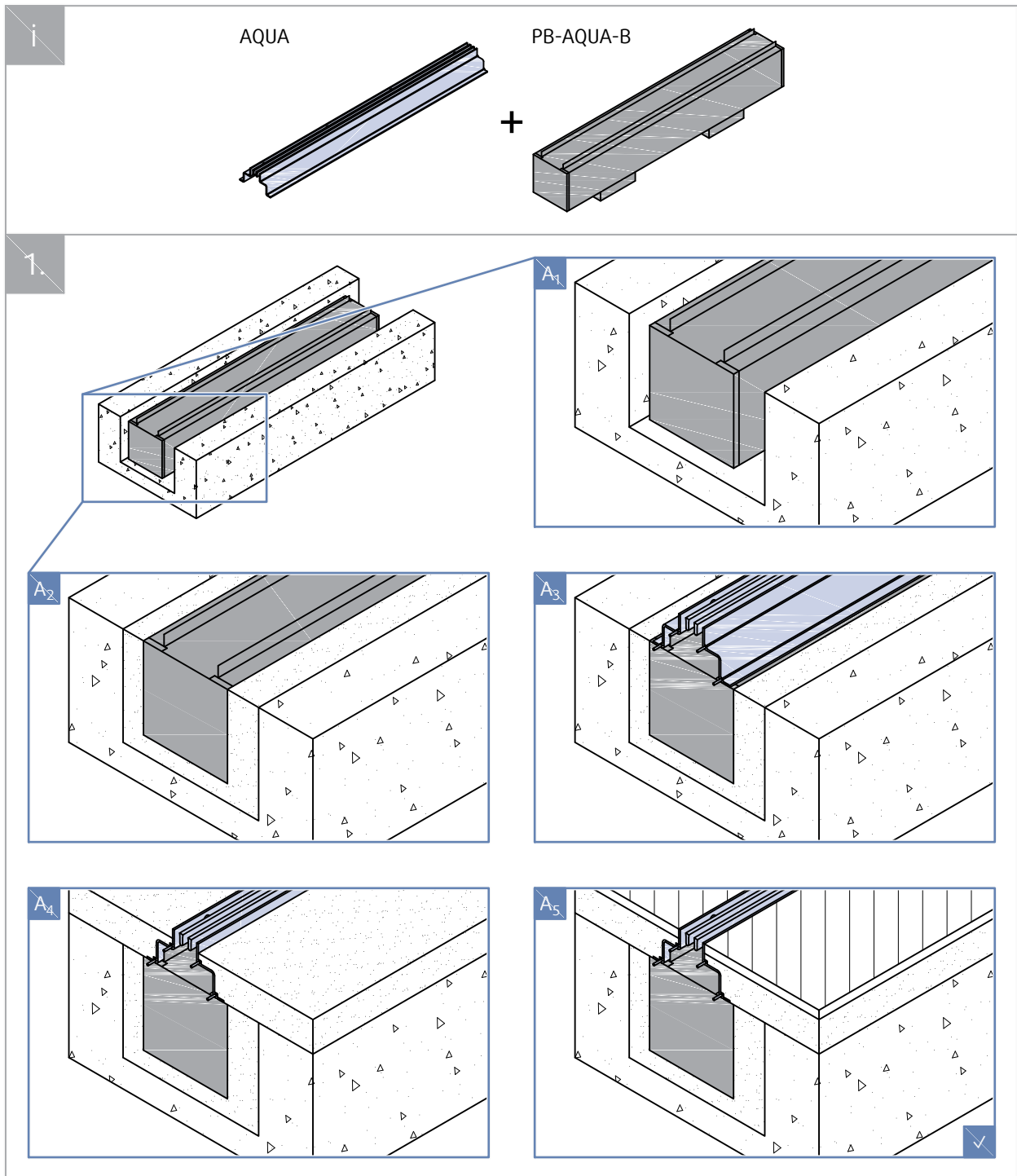
Get In Touch

Call: 0845 6880112
Email: info@adremit.co.uk

Our Address

Puravent, Adremit Limited, Unit 5a, Commercial Yard,
Settle, North Yorkshire, BD24 9RH





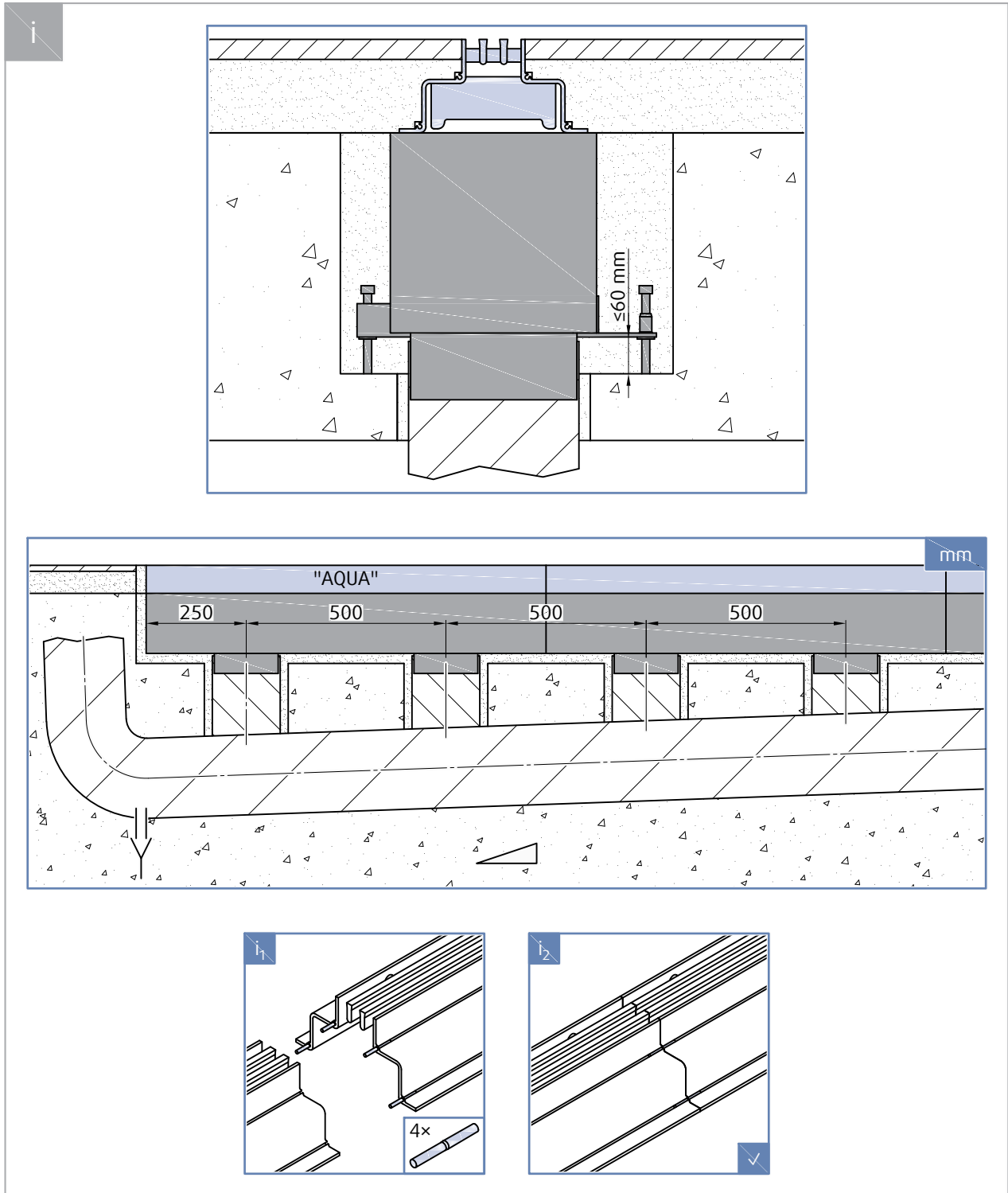
Get In Touch

Call: 0845 6880112
Email: info@adremit.co.uk

Our Address

Puravent, Adremit Limited, Unit 5a, Commercial Yard,
Settle, North Yorkshire, BD24 9RH





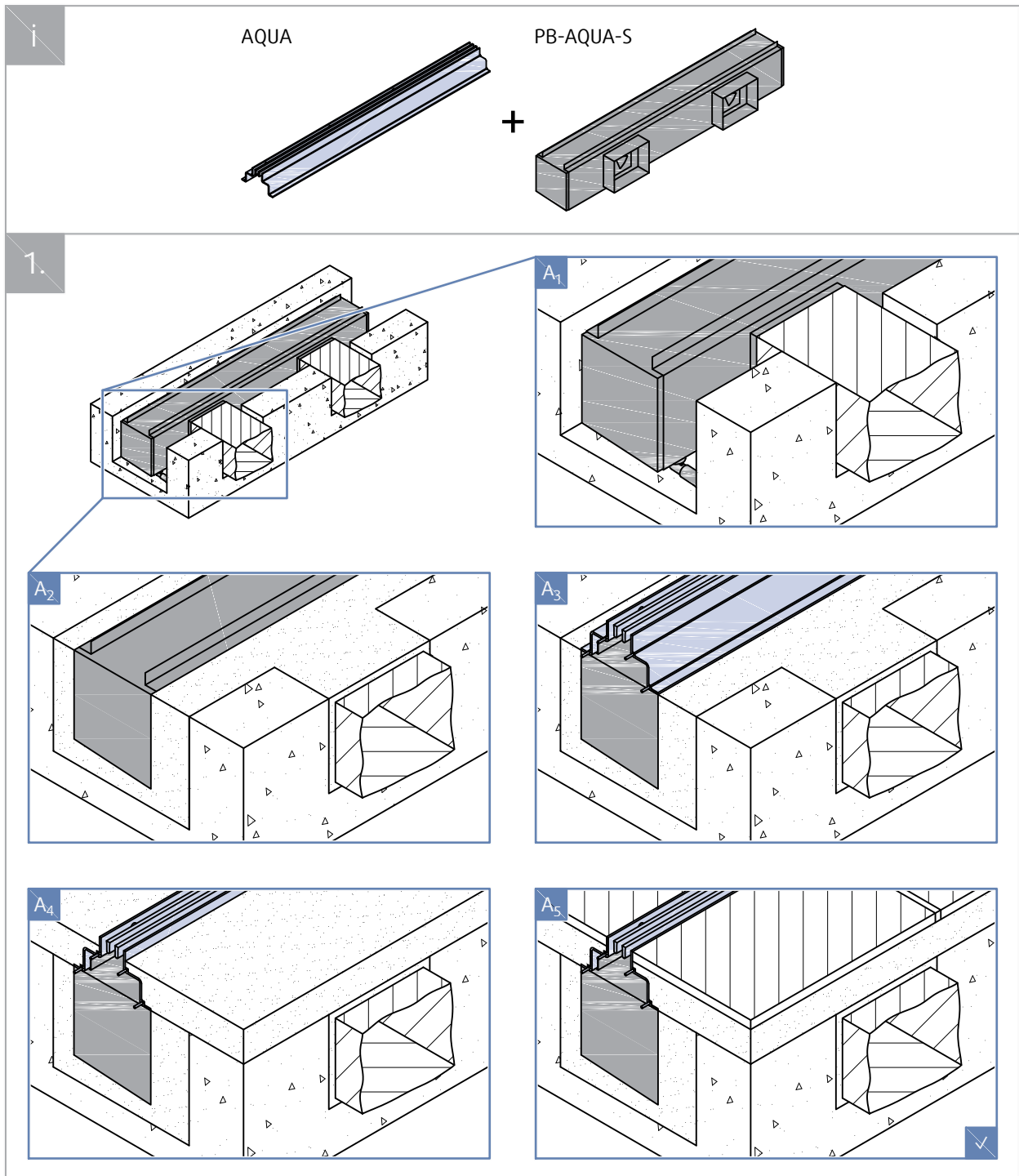
Get In Touch

Call: 0845 6880112
Email: info@adremit.co.uk

Our Address

Puravent, Adremit Limited, Unit 5a, Commercial Yard,
Settle, North Yorkshire, BD24 9RH





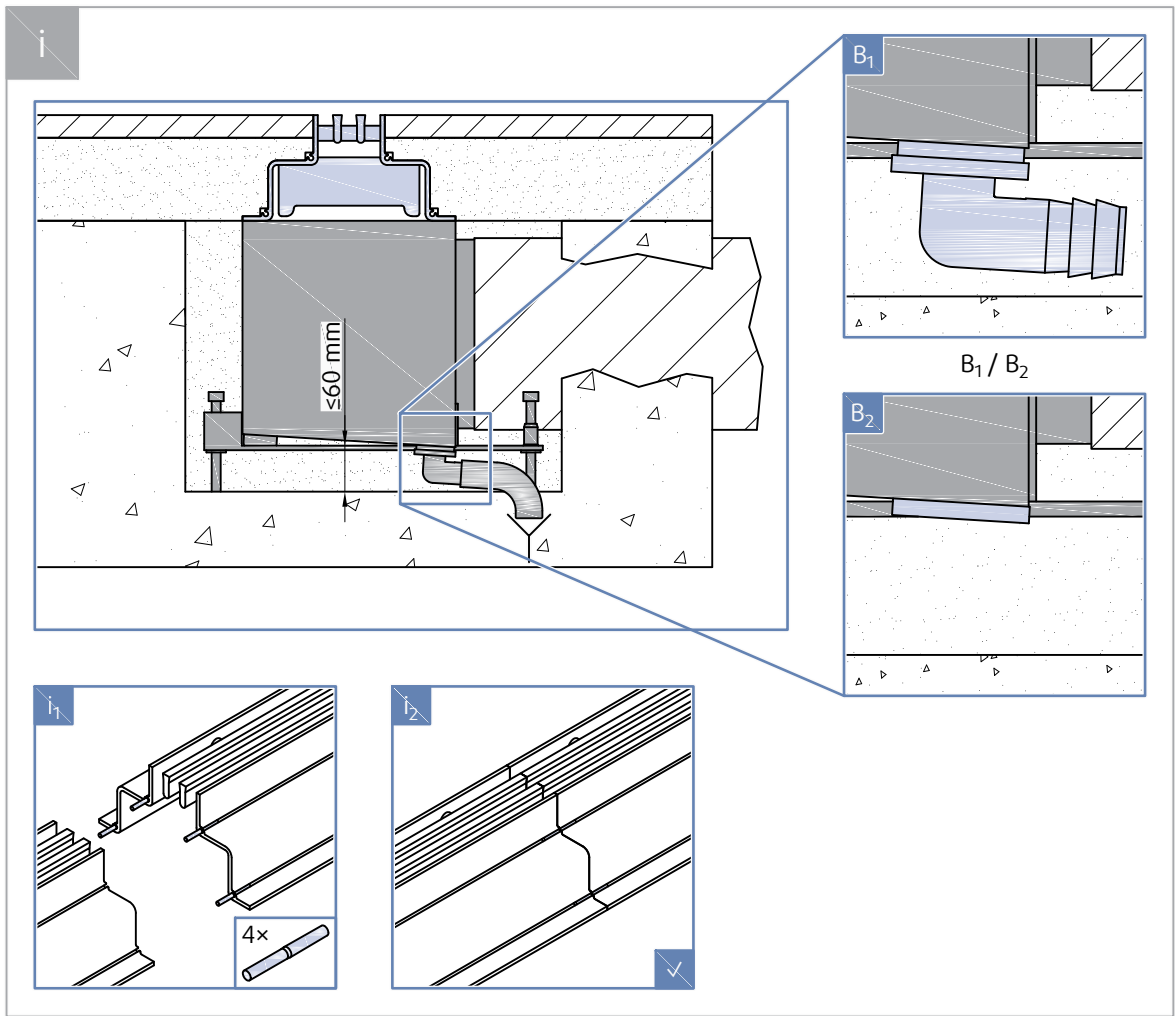
Get In Touch

Call: 0845 6880112
Email: info@adremit.co.uk



Our Address

Puravent, Adremit Limited, Unit 5a, Commercial Yard,
Settle, North Yorkshire, BD24 9RH





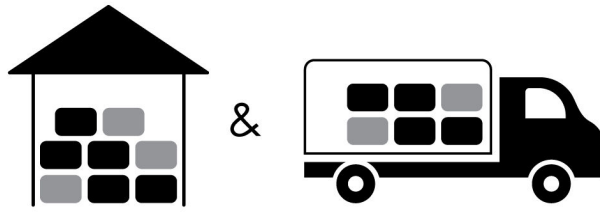
Get In Touch

 Call: [0845 6880112](tel:08456880112)
 Email: info@adremit.co.uk


Our Address

Puravent, Adremit Limited, Unit 5a, Commercial Yard,
Settle, North Yorkshire, BD24 9RH

Transport, Storage and Operation




 °C -40°C ... +50°C

 % ≤ 95%



 °C -20°C ... +70°C

 % ≤ 95%

Get In Touch

 Call: [0845 6880112](tel:08456880112)
 Email: info@adremit.co.uk

Our Address

Puravent, Adremit Limited, Unit 5a, Commercial Yard,
Settle, North Yorkshire, BD24 9RH

Supplement

Any deviations from the technical specifications contained herein and the terms should be discussed with the manufacturer. We reserve the right to make any changes to the product without prior notice, provided that these changes do not affect the quality of the product and the required parameters.

Current information on all products is available on design.systemair.com.



Get In Touch

 **Call:** [0845 6880112](tel:08456880112)
 **Email:** info@adremit.co.uk

Our Address

Puravent, Adremit Limited, Unit 5a, Commercial Yard,
Settle, North Yorkshire, BD24 9RH







Systemair DESIGN • 2021-03-10 • HandBook_AQUA_en-GB • 9A988D8E-06EA-4593-BEE1-8B0A4C0DFE1A



Get In Touch

 **Call:** [0845 6880112](tel:08456880112)
 **Email:** info@adremit.co.uk

Our Address

Puravent, Adremit Limited, Unit 5a, Commercial Yard,
Settle, North Yorkshire, BD24 9RH

