



APPLICATIONS

High level heaters are designed for general space heating applications, where a high level mounting heater is required.

The fully adjustable bracket allows the adjustment of the direction of the airflow for optimum heat distribution. The TB range has an integral thermostat, which gives energy saving temperature control at low installation cost.

Typical applications include shops, workshops and warehouses.

FEATURES

- 3kW 230V output
- Adjustable bracket for wall or ceiling mounting
- Alternative keyhole fixing for secure installation
- Integral switches for heat selection and fan only
- Pre-connected cable for ease of installation
- Over temperature cut-out with power off reset
- TB version with integral thermostat

OPTIONS

- Light grey textured powder coating finish (RAL7035)
- Brushed stainless steel (HLH-SS)
- Copper bronze textured powder coating (HLH-BR)



Get In Touch

-  Call: [0845 6880112](tel:08456880112)
 Email: info@adremit.co.uk

Our Address

Puravent, Adremit Limited, Unit 5a, Commercial Yard,
Settle, North Yorkshire, BD24 9RH

CONTROL

Control is via 3 rocker switches next to the outlet grille. The front switch marked I/O is for fan only. The switches marked red give 1.5kW each and together the full 3kW.

Temperature control is by remote thermostat (CRST-16) or on the TB version with the integral thermostat sensing the incoming air temperature.

INSTALLATION

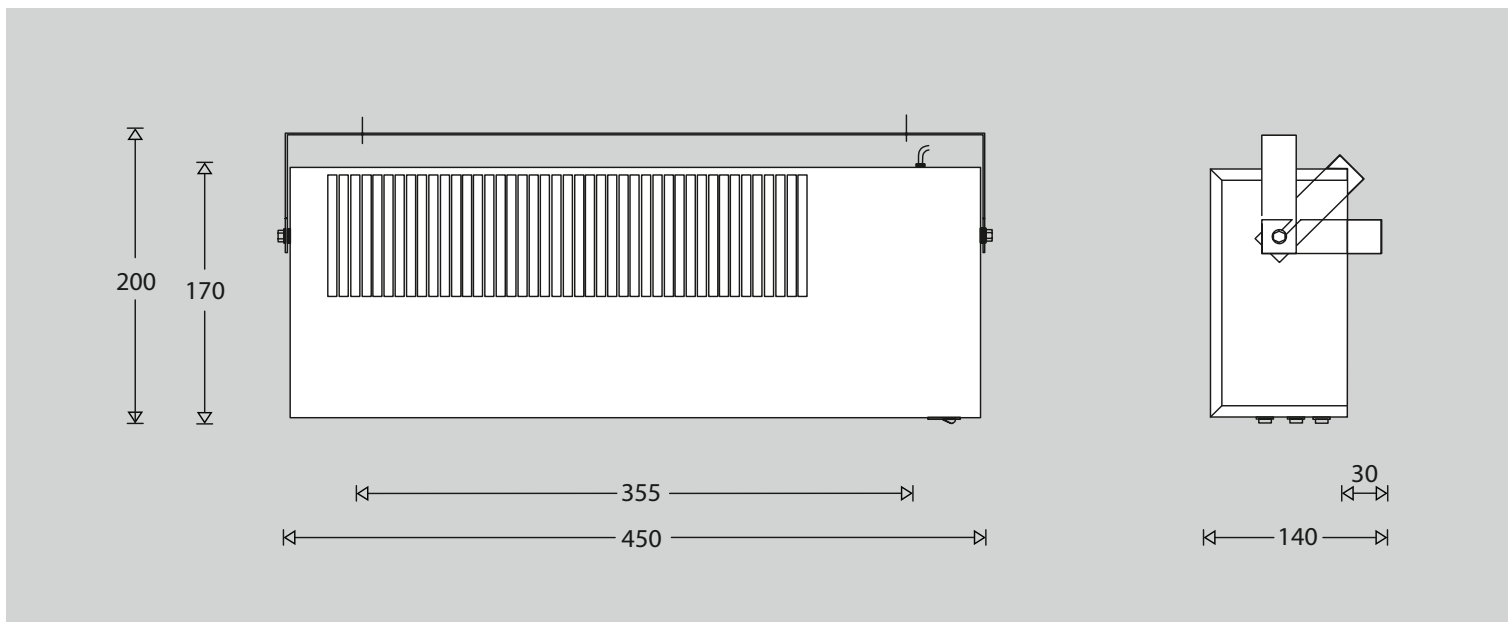
The HLH-3000 is for high level mounting and must be mounted at a minimum height of 1.8m and for optimum effect the maximum recommended mounting height is 2.3m. The heater must be mounted horizontally. For general space heating the unit should be directed at an angle into the area.

The unit should be securely fixed using the adjustable mounting bracket. The mounting bracket allows easy wall or ceiling mounting. Alternatively the unit can be wall mounted using the keyhole slots in the back of the unit.

The HLH-3000 is only suitable for connection to a 230V single phase power supply and is supplied with a pre-connected cable for quick connection.

The 3kW heater should be connected to a suitably fused power supply. Connection should be via a 2 pole switched connection unit having a contact separation of at least 3mm in all poles.

All electrical connections should be made by a suitably qualified person in accordance with the latest edition of the IEE Requirements for Electrical Installation (BS 7671:2008).



CAT No.		Watts	Volts	Length mm	Height mm	Depth mm	Weight kgs	
HLH-3000	Grey texture (RAL7035)	3000	230	450	170	110	4.0	
with Integral Thermostat								
HLH-3000TB	Grey texture (RAL7035)	3000	230	450	170	110	4.0	
ALSO AVAILABLE IN STAINLESS STEEL OR BRONZE (SUPPLEMENT APPLIES PLEASE CONTACT OUR CUSTOMER SERVICES TEAM FOR DETAILS)								

Get In Touch

Call: [0845 6880112](tel:08456880112)
 Email: info@adremit.co.uk

Our Address

Puravent, Adremit Limited, Unit 5a, Commercial Yard, Settle, North Yorkshire, BD24 9RH