



## FRQS-4A V2

Item no. 36231

Document type: **Product card**

Document date: **2019-07-30**

Generated by: **Systemair Online Catalogue**

### Description

#### Speed controller with 0-10V input for 3~ fans equipped with all pole sine filter

The FRQS/FRQ5S frequency inverters have integrated all pole sine filters as standard. Therefore there is no need for shielded cables for the installation. This makes the unit also perfectly suited to retrofit into existing systems. The sine filters enable existing non-shielded cables to be retained. These units also reliably control motors which, due to their design, are not usually considered suitable for frequency inverter operation i.e. external rotor motors.

- Save and trouble free motor operation with integrated, all pole effective sine filter
- Analog input for external speed setup value(0-10 V, 0-20 mA, PWM)
- 10V DC output for external potentiometer
- Potential-free operation notification
- Enable contact section for a stand-by switch or electronic reset
- Motor protection by connecting thermostats "TB" or thermistors "TP"
- Interference emission EN 61000-6-3
- Interference immunity EN 61000-6-2
- Complete range in IP54
- Trouble free parallel operation of motors
- No danger to the motors through voltage peaks, bearing current, etc.
- No limit of motor cable length
- Retrofit in installations with existent wiring(unshielded cables)
- Operation without electromagnetic motor noise
- Wide voltage range 3~ 208V-480V, 50/60Hz



**When operating with Explosion proof fans the FRQ has to be placed outside the EX zone!**

### Technical parameters

Nominal data		
Voltage range	208-480	V
Phase	3	~
Frequency	50/60	Hz
Max. current	4	A
Recommended fuse	10	A
Permitted max. ambient temperature	40	°C
Enclosure class	IP54	
Weight	5,32	kg

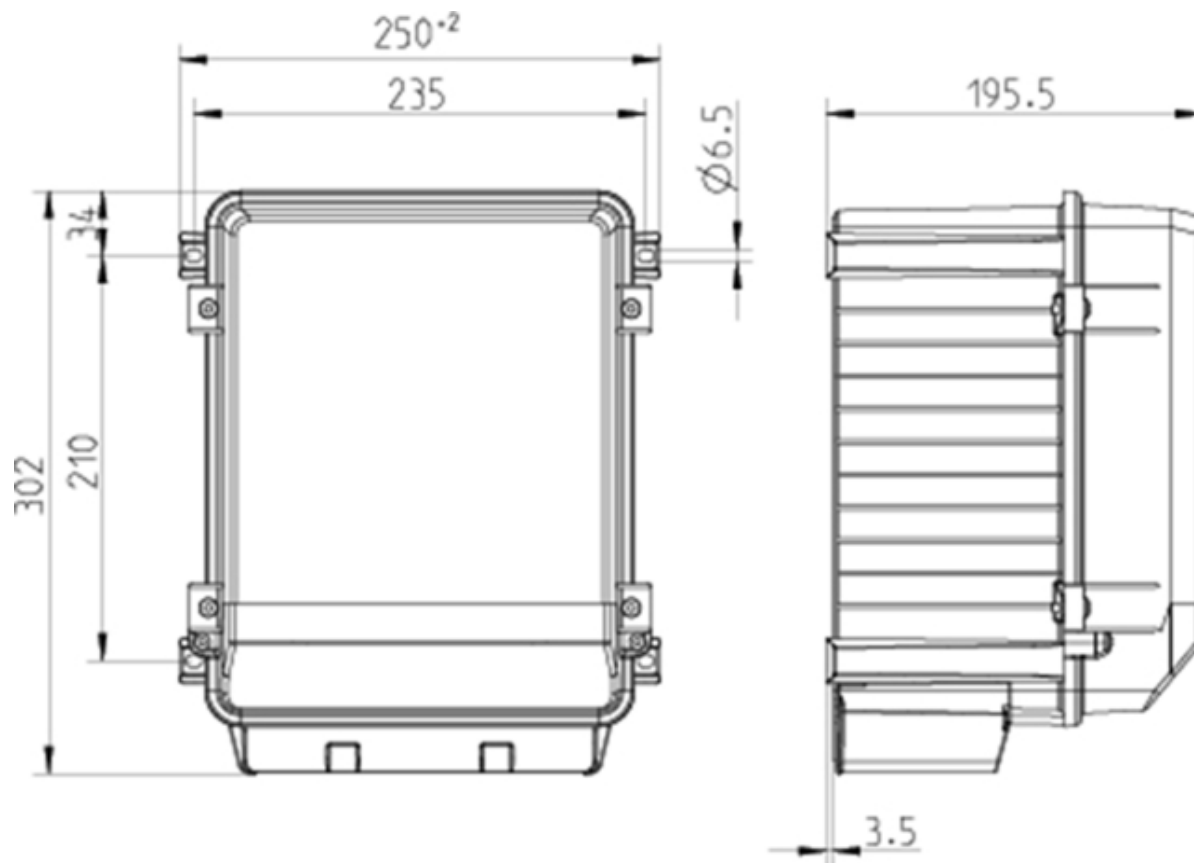
#### Get In Touch

Call: [0845 6880112](tel:08456880112)  
 Email: [info@adremit.co.uk](mailto:info@adremit.co.uk)

#### Our Address

Puravent, Adremit Limited, Unit 5a, Commercial Yard,  
 Settle, North Yorkshire, BD24 9RH

## Dimensions



## Accessories

### Electric accessories

[MTV-1/010 Controller 0..10V+ \(30650\)](#)

[MTP 10, 10K, Speed control \(32731\)](#)

[REV-5POL/05 ON/OFF \(33979\)](#)

[MTP 20, on/off, 3-step \(310220\)](#)

[EC-Selector \(9908\)](#)

[S-5EC/FRQ \(76738\)](#)

## Documentation



IMO FRQS-4A\_10A\_16A V2\_EN.pdf (700,05kB)

## Get In Touch



Call: [0845 6880112](tel:08456880112)

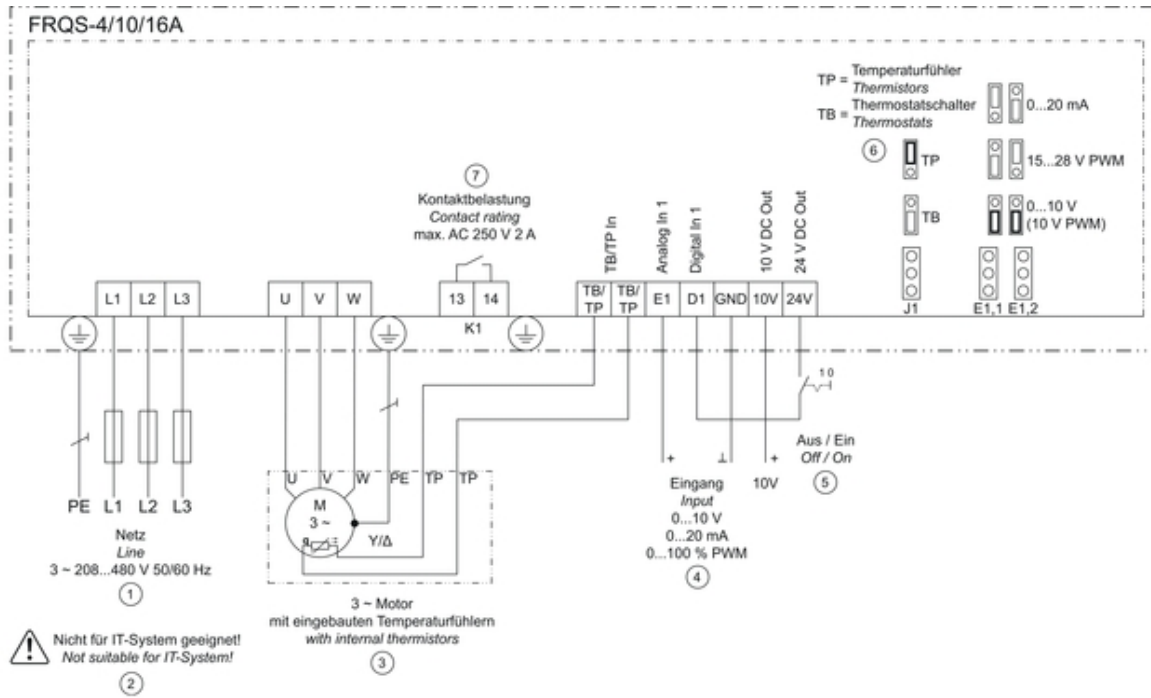


Email: [info@adremit.co.uk](mailto:info@adremit.co.uk)

## Our Address

Puravent, Adremit Limited, Unit 5a, Commercial Yard,  
Settle, North Yorkshire, BD24 9RH

## Wiring



- 1 Line 3 ~ 208 V...480 V, 50/60 Hz
- 2 Not suitable for IT system!
- 3 3 - Motor with internal thermistors
- 4 input: 0...10 V, 0...20 mA, 0...100 % PWM
- 5 Enable Device Off / On
- 6 TP = thermistors, TB = thermostats
- 7 Contact rating max. 2 A / 250 V AC

### Get In Touch

Call: [0845 6880112](tel:08456880112)  
Email: [info@adremit.co.uk](mailto:info@adremit.co.uk)

### Our Address

Puravent, Adremit Limited, Unit 5a, Commercial Yard,  
Settle, North Yorkshire, BD24 9RH