



## FRQ5S-E-6A

Item no. 37421

Document type: **Product card**

Document date: **2019-07-30**

Generated by: **Systemair Online Catalogue**

### Description

#### Speed controller with 5-step switch for 1~ fan with all pole sine filter

The FRQ5S-E frequency inverters have integrated all pole sine filters as standard. Therefore there is no need for shielded cables for the installation. This makes the unit also perfectly suited to retrofit into existing systems. The sine filters enable existing non-shielded cables to be retained. This units also reliably control motors which, due to their design, are not usually considered suitable for frequency inverter operation i.e. external rotor motors.

- Save and trouble free motor operation with integrated, all pole effective sine filter
- Integrated 5-Step switch Step0=0Hz; Step1=10Hz; Step2=20Hz; Step3=30Hz; Step4=40Hz; Step5=50Hz
- Potential-free operation notification
- Enable contact section for a stand-by switch or electronic reset
- Motor protection by connecting thermostats "TB" or thermistors "TP"
- Interference emission EN 61000-6-3
- Interference immunity EN 61000-6-2
- Complete range in IP54
- Trouble free parallel operation of motors
- No danger to the motors through voltage peaks, bearing current, etc.
- No limit of motor cable length
- Retrofit in installations with existing wiring(unshielded cables)
- Operation without electromagnetic motor noise
- Wide voltage range 1~ 208V-277V, 50/60Hz



**When operating with Explosion proof fans the FRQ has to be placed outside the EX zone!**

### Technical parameters

Nominal data		
Voltage range	208-277	V
Phase	1	~
Frequency	50/60	Hz
Max. current	6	A
Recommended fuse	10	A
Permitted max. ambient temperature	55	°C
Permitted relative humidity, non condensating	0-85	%RH
Enclosure class	IP54	
Weight	5,7	kg

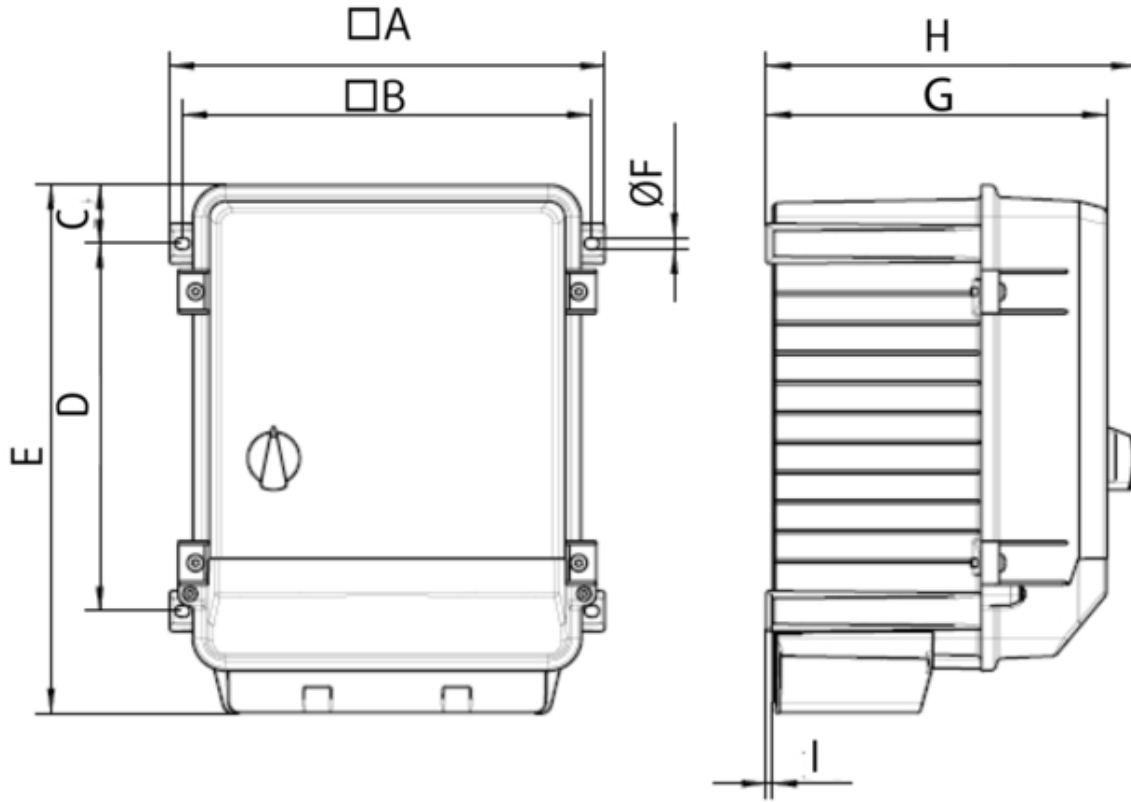
#### Get In Touch

Call: [0845 6880112](tel:08456880112)  
 Email: [info@adremit.co.uk](mailto:info@adremit.co.uk)

#### Our Address

Puravent, Adremit Limited, Unit 5a, Commercial Yard,  
 Settle, North Yorkshire, BD24 9RH


## Dimensions




	□A	□B	C	D	E	ØF	G	I
FRQ5S-E-6A	250	235	34	210	302	6,5	212	3,5



## Accessories

## Documentation

 IMO FRQ5S-E 6A+10A\_EN.pdf (891,28kB)

 EG-Declaration of conformity FRQ\_DE-EN.pdf (425,04kB)

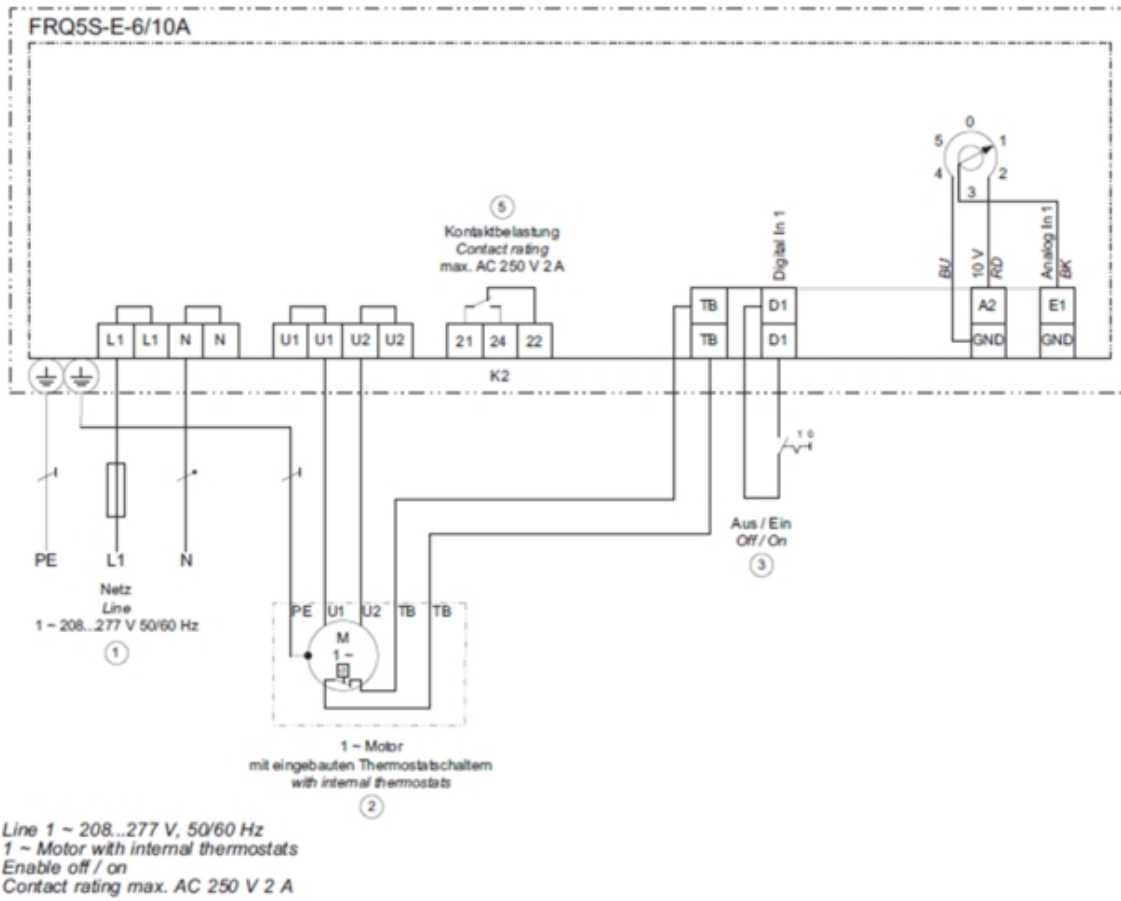
## Get In Touch

 Call: [0845 6880112](tel:08456880112)  
 Email: [info@adremit.co.uk](mailto:info@adremit.co.uk)

## Our Address

Puravent, Adremit Limited, Unit 5a, Commercial Yard,  
Settle, North Yorkshire, BD24 9RH

## Wiring



## Specification text

Name: **FRQ5S-E-6A** | Item no.: **37421**

Document type: **Product card** | Document date: **2019-07-30** | Generated by: **Online catalogue**

3 / 3

### Get In Touch

Call: [0845 6880112](tel:08456880112)  
Email: [info@adremit.co.uk](mailto:info@adremit.co.uk)

### Our Address

Puravent, Adremit Limited, Unit 5a, Commercial Yard,  
Settle, North Yorkshire, BD24 9RH