



FRQ5-10A+LED V2

Item no. 36230

Document type: **Product card**

Document date: **2019-07-30**

Generated by: **Systemair Online Catalogue**

Description

Speed controller with 5-step switch for 3~ fan

- Optimized frequency inverters for the control of one fan motor for frequency converter suitable isolation system and bearings e.g. IE2
- Integrated 5-Step switch
- Step0=0Hz; Step1=10Hz; Step2=20Hz; Step3=30Hz; Step4=40Hz; Step5=50Hz
- Potential-free operation notification
- Enable contact section
- Motor protection by connecting thermostats "TB" or thermistors "TP"
- Interference emission EN 61000-6-3
- Interference immunity EN 61000-6-2
- Parallel operation of several motors is not allowed
- Max. length of controller(poti) cable 100m
- Max. length of motor cable 10m (screened)
- Please note: Not suitable for external rotor motors

When operating with Explosion proof fans the FRQ has to be placed outside the EX zone!



Technical parameters

Default group		
Frequency	50/60	Hz
Phase	3	~
Recommended fuse	16	A
Permitted max. ambient temperature	40	°C
Enclosure class	IP54	
Max. current	10	A
Dimension		
Weight	5,1	kg

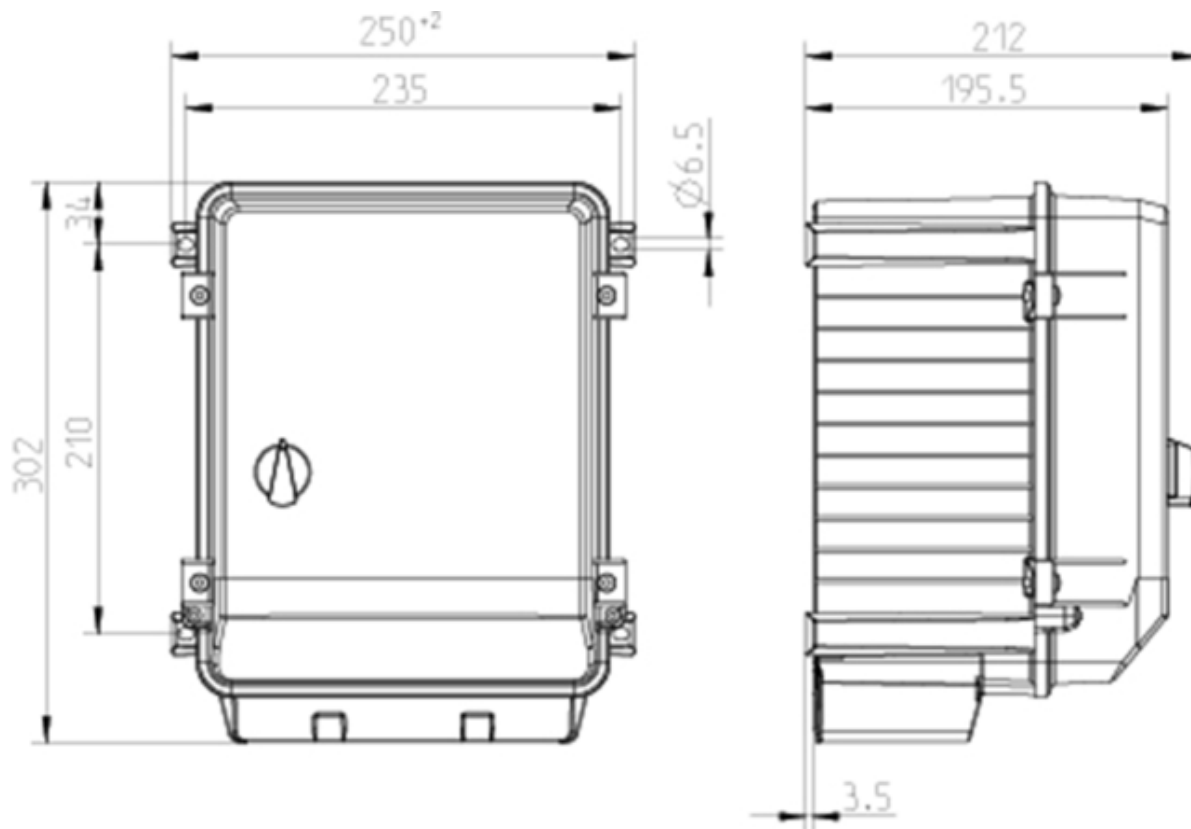
Get In Touch

Call: [0845 6880112](tel:08456880112)
 Email: info@adremit.co.uk

Our Address

Puravent, Adremit Limited, Unit 5a, Commercial Yard,
 Settle, North Yorkshire, BD24 9RH

Dimensions





Accessories

Electric accessories

[REV-5POL/05 incl. EMC KIT \(34549\)](#)

Documentation

 [IMO FRQ5-4A_10A_16A V2_EN.pdf \(707,91kB\)](#)

 [EG-Konformitaetserklaerung FRQ_DE-EN.pdf \(466,37kB\)](#)

Name: **FRQ5-10A+LED V2** | Item no.: **36230**

Document type: **Product card** | Document date: **2019-07-30** | Generated by: **Online catalogue**

2 / 3

Get In Touch



Call: [0845 6880112](tel:08456880112)



Email: info@adremit.co.uk

Our Address

Puravent, Adremit Limited, Unit 5a, Commercial Yard,
Settle, North Yorkshire, BD24 9RH

