



## FRQ-4A V2

Item no. 36227

Document type: **Product card**  
 Document date: **2019-07-30**  
 Generated by: **Systemair Online Catalogue**

### Description

#### Speed controller with 0-10V Input for 3~ fan

- Optimized frequency inverters for the control of one fan motor for frequency converter suitable isolation system and bearings e.g. IE2
- Analog input for external speed setting(0-10 V, 0-20 mA, PWM)
- 10V DC output for external potentiometer
- Potential-free operation notification
- Enable contact section
- Motor protection by connecting thermostats "TB" or thermistors "TP"
- Interference emission EN 61000-6-3
- Interference immunity EN 61000-6-2
- Parallel operation of several motors is not allowed
- Max. length of controller(poti) cable 100m
- Max. length of motor cable 10m (screened)
- Please note: Not suitable for external rotor motors

**When operating with Explosion proof fans the FRQ has to be placed outside the EX zone!**



### Technical parameters

Other		
Weight	2,4	kg
Default group		
Phase	3	~
Frequency	50/60	Hz
Max. current	4	A
Recommended fuse	10	A
Permitted max. ambient temperature	40	°C
Enclosure class	IP54	

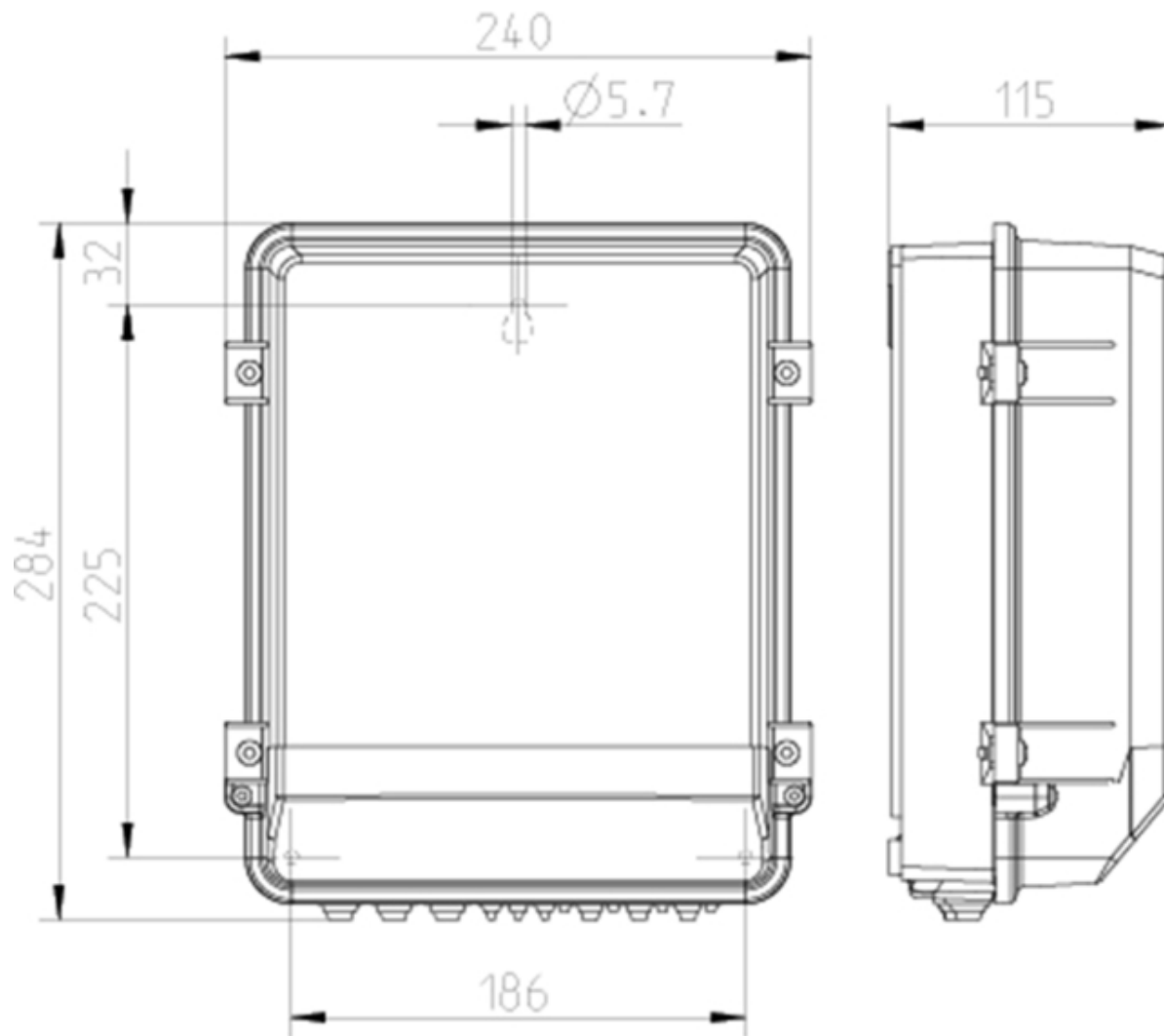
#### Get In Touch

Call: [0845 6880112](tel:08456880112)  
 Email: [info@adremit.co.uk](mailto:info@adremit.co.uk)

#### Our Address

Puravent, Adremit Limited, Unit 5a, Commercial Yard,  
 Settle, North Yorkshire, BD24 9RH

## Dimensions



## Accessories

### Electric accessories

[MTV-1/010 Controller 0..10V+ \(30650\)](#)

[MTP 10, 10K, Speed control \(32731\)](#)

[MTP 20, on/off, 3-step \(310220\)](#)

[REV-5POL/05 incl. EMC KIT \(34549\)](#)

[EC-Selector \(9908\)](#)

[S-5EC/FRQ \(76738\)](#)

## Documentation



IMO FRQ-4A\_10A\_16A V2\_EN.pdf (589,97kB)

Name: **FRQ-4A V2** | Item no.: **36227**

Document type: **Product card** | Document date: **2019-07-30** | Generated by: **Online catalogue**

2 / 3

## Get In Touch



Call: [0845 6880112](tel:08456880112)

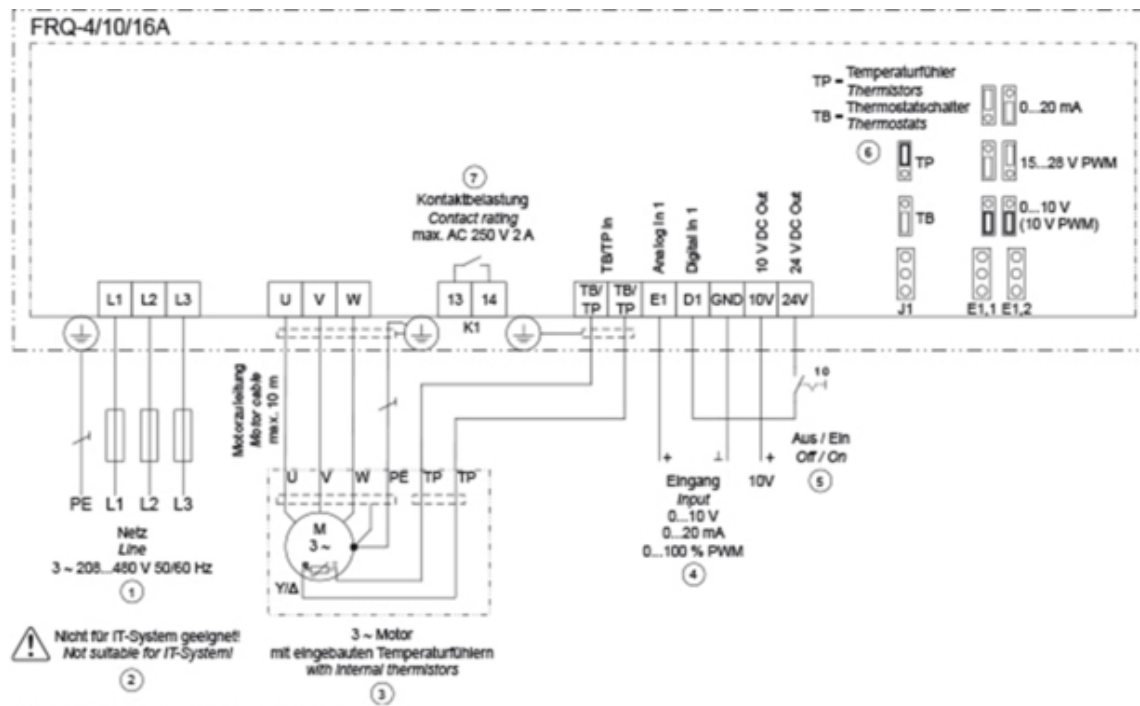


Email: [info@adremit.co.uk](mailto:info@adremit.co.uk)

## Our Address

Puravent, Adremit Limited, Unit 5a, Commercial Yard,  
Settle, North Yorkshire, BD24 9RH

## Wiring



Name: **FRQ-4A V2** | Item no.: **36227**

Document type: **Product card** | Document date: **2019-07-30** | Generated by: **Online catalogue**

3 / 3

### Get In Touch

Call: [0845 6880112](tel:08456880112)  
 Email: [info@adremit.co.uk](mailto:info@adremit.co.uk)

### Our Address

Puravent, Adremit Limited, Unit 5a, Commercial Yard,  
 Settle, North Yorkshire, BD24 9RH