



FRQ-16A V2

Item no. 37273

Document type: **Product card**

Document date: **2019-07-30**

Generated by: **Systemair Online Catalogue**

Description

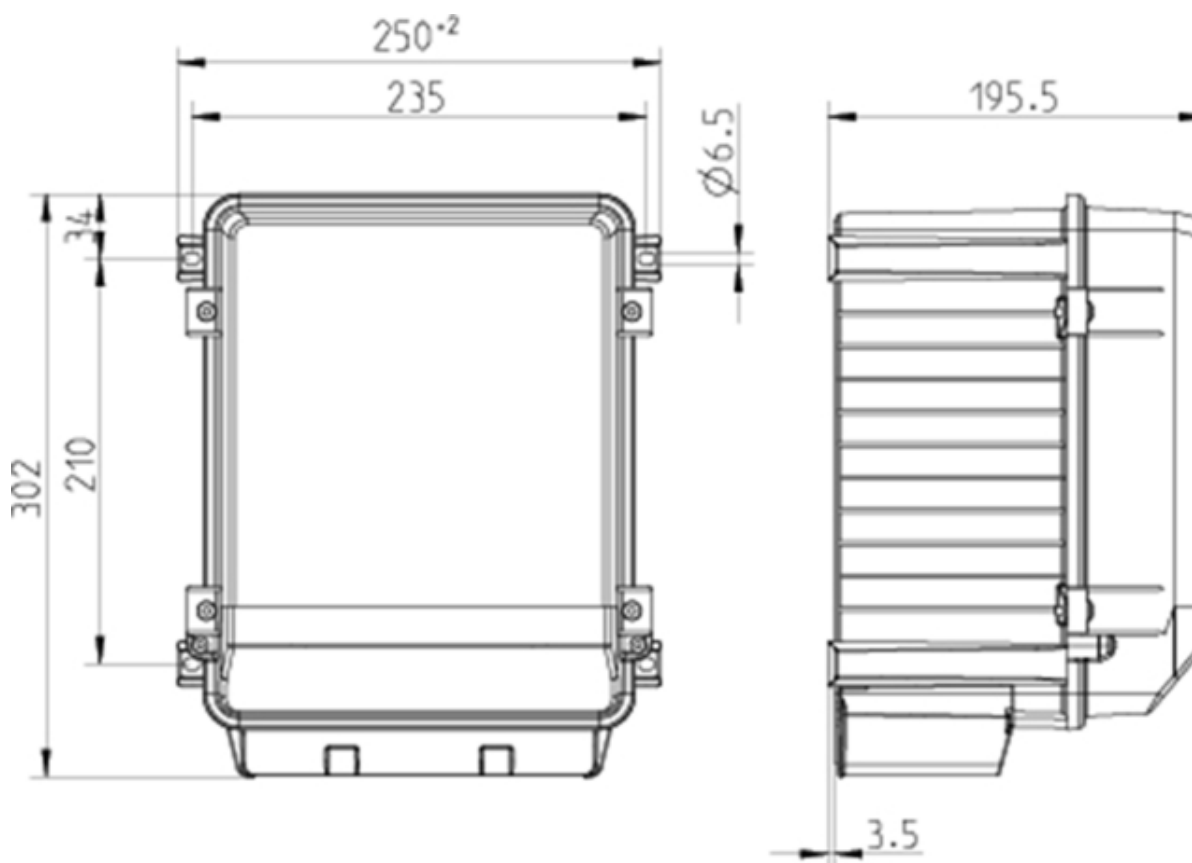
Speed controller with 0-10V Input for 3~ fan

- Optimized frequency inverters for the control of one fan motor for frequency converter suitable isolation system and bearings e.g. IE2
- Analog input for external speed setting(0-10 V, 0-20 mA, PWM)
- 10V DC output for external potentiometer
- Potential-free operation notification
- Enable contact section
- Motor protection by connecting thermostats "TB" or thermistors "TP"
- Interference emission EN 61000-6-3
- Interference immunity EN 61000-6-2
- Parallel operation of several motors is not allowed
- Max. length of controller(poti) cable 100m
- Max. length of motor cable 10m (screened)
- Please note: Not suitable for external rotor motors


When operating with Explosion proof fans the FRQ has to be placed outside the EX zone!



Dimensions



Documentation

 IMO FRQ-4A_10A_16A V2_EN.pdf (589,97kB)

Get In Touch

 Call: [0845 6880112](tel:08456880112)
 Email: info@adremit.co.uk

Our Address

Puravent, Adremit Limited, Unit 5a, Commercial Yard,
 Settle, North Yorkshire, BD24 9RH

Technical parameters

Other		
Weight	5,9	kg
Default group		
Phase	3	~
Frequency	50/60	Hz
Max. current	16	A
Recommended fuse	20	A
Permitted max. ambient temperature	55	°C
Permitted max. ambient humidity, non condensating	85	%RH
Enclosure class	IP54	

Accessories

Electric accessories

[MTV-1/010 Controller 0..10V+ \(30650\)](#)

[MTP 10..10K, Speed control \(32731\)](#)

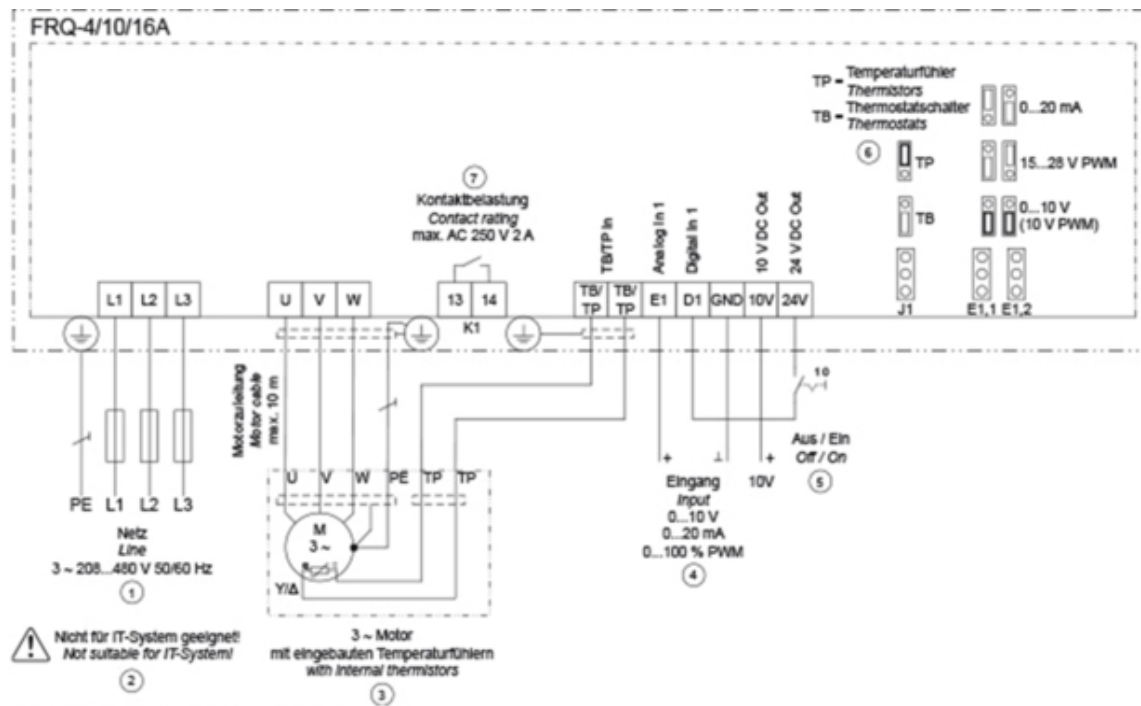
[MTP 20, on/off, 3-step \(310220\)](#)

[REV-5POL/05 incl. EMC KIT \(34549\)](#)

[EC-Selector \(9908\)](#)

[S-5EC/FRQ \(76738\)](#)

Wiring



- 1 Line 3 ~ 208 V...480 V, 50/60 Hz
- 2 Not suitable for IT system!
- 3 3 ~ Motor with internal thermistors
- 4 input: 0...10 V, 0...20 mA, 0...100 % PWM
- 5 Enable Device Off / On
- 6 TP = thermistors, TB = thermostats
- 7 Contact rating max. 2 A / 250 V AC

Name: **FRQ-16A V2** | Item no.: **37273**

Document type: **Product card** | Document date: **2019-07-30** | Generated by: **Online catalogue**

2 / 2

Get In Touch

Call: [0845 6880112](tel:08456880112)
Email: info@adremit.co.uk

Our Address

Puravent, Adremit Limited, Unit 5a, Commercial Yard,
Settle, North Yorkshire, BD24 9RH