



Powerful fan heater for technical heating

Panther T is a range of efficient fan heaters designed for drying and heating installations of a more technical nature. Panther T is suitable in, for example, service areas, utility rooms and drying rooms. The fan heater has a classic clean design in white powder coated steel panels. Panther comes with a wall bracket that makes it possible to direct the air flow downwards and to the side.

Protects your equipment

Panther T is an efficient fan heater for stationary use that provides fast and effective heating for your technical environments. The investment in Panther T is minor compared to potentially high damage costs caused by frost or humidity.

Compact and robust

Panther T is a powerful and robust fan heater with a long service life. The fan heater is easy to install and requires a minimum of maintenance, which reduces costs and the risk of errors.

External control

Panther T must be supplemented with an external control panel PP. It provides easy operation and can control multiple units simultaneously. Thermostat controls are available as accessories.

PNT20, PNT30

PNT135, PNT15

Product specifications

- Supplied with a versatile wall bracket that makes it possible to direct the airflow where it's needed, downwards and to the side.
- Heat output 13,5-30 kW.
- Panther T must be supplemented with a control panel PP. Up to 6 units can be controlled by one control panel. PNT135 requires one PP15N per unit.
- The fan heater should be installed with an external thermostat.

Design and specifications are subject to change without notice.

2023-07-07

Get In Touch

Call: [0845 6880112](tel:08456880112)
 Email: info@adremit.co.uk

Our Address

Puravent, Adremit Limited, Unit 5a, Commercial Yard,
 Settle, North Yorkshire, BD24 9RH



Panther T

Technical specifications

Panther T (IP44)

Item no	Type	Output steps [kW]	Airflow [m³/h]	Sound power*1 [dB(A)]	Sound pressure*2 [dB(A)]	Δt*3 [°C]	Motor [W]	Voltage [V]	Amperage [A]	WxHxD [mm]	Weight [kg]
334023	PNT15	0/7,5/15	900/1300	61	39/47	50/35	70	400V3N~	21,7	450x520x510	22
334024	PNT20	0/10/20	2300	71	55	26	120	400V3N~	29,5	478x576x545	25
334025	PNT30	0/10/20/30	2300	71	55	39	120	400V3N~	43,9	478x576x545	28
334030	PNT135	0/5/10	900/1300	61	39/47	45/31	70	440V3~*4	13,4	450x520x510	24
		500V3~						15,6			
334034	PNT305	0/7,5/15/23	2300	71	55	39	120	440V3~*4	30,8	478x576x545	33
		500V3~						35,1			

*1) Sound power (L_{w}) measurements according to ISO 27327-2: 2014, Installation type E.

*2) Sound pressure (L_{p}). Conditions: Distance to the unit 3 metres. Directional factor: 2. Equivalent absorption area: 200 m². At lowest/highest airflow (where applicable).

*3) Δt = temperature rise of passing air at maximum heat output. At lowest/highest airflow (where applicable).

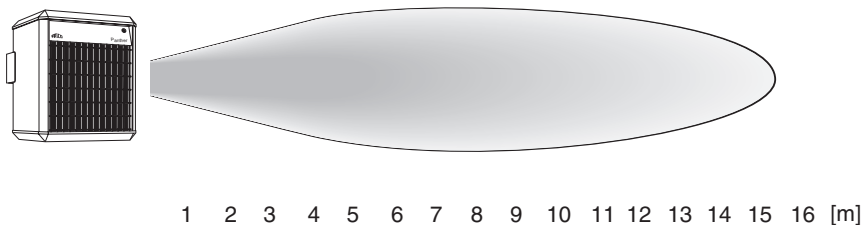
*4) Can be connected to 440V3~ and 500V3~.

Approved for 380V/3ph/60Hz. Product performance for 380V/3ph/60Hz will differ from stated data.

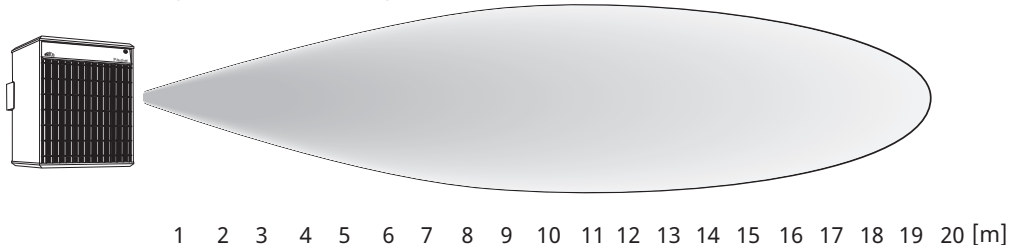
Manufactured in Sweden with a corrosion proof housing made of hot zinc-plate and powder coated steel panels. Colour: white, RAL 9016.

Air throw

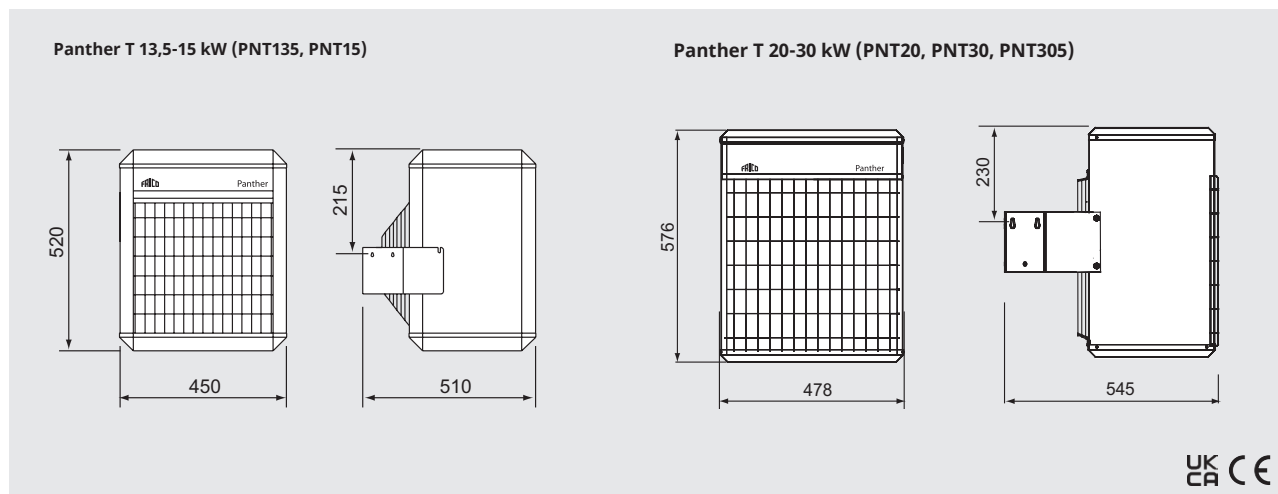
Panther T 13,5-15 kW (PNT135, PNT15)



Panther T 20-30 kW (PNT20, PNT30, PNT305)



Dimensions



Get In Touch

Call: [0845 6880112](tel:08456880112)
 Email: info@adremit.co.uk

Our Address

Puravent, Adremit Limited, Unit 5a, Commercial Yard, Settle, North Yorkshire, BD24 9RH



Panther T

Mounting

Mounting and connection

Mounting

The Panther fan heater is mounted on the wall with the supplied bracket. The bracket allows the fan heater to be angled downwards and to the side (30° left or right).

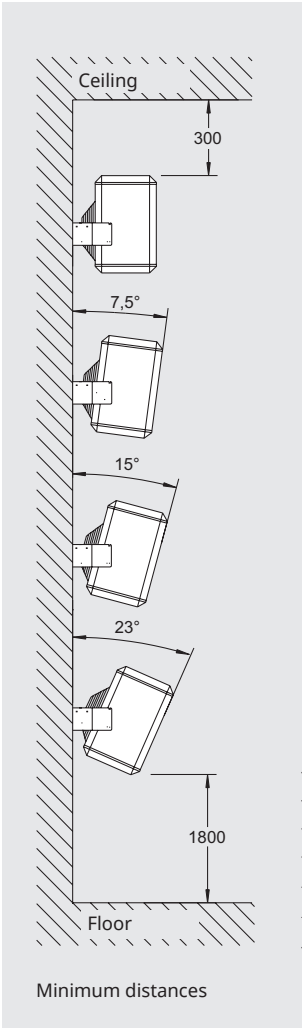
Connection

The Panther fan heater is intended for permanent installation. Power supply (400V3N~) and controls are connected via grommets on the back of the unit. PNT135 and PNT305 can be connected to both 440V3~ and 500V3~.

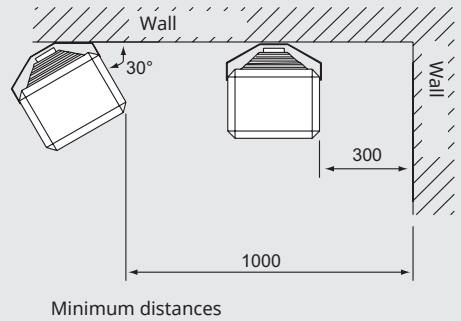
Panther T must be supplemented with a control panel PP. Up to 6 units can be controlled by one control panel. PNT135 requires one PP15N per unit.

The output and fan speed are set on the control panel. An external thermostat or temperature control is highly recommended to regulate the heat.

For wiring diagrams and other technical information, please see the manual and www.frico.net.



	0°	7,5°	15°	23°
PNT135	x	x	x	
PNT15	x	x	x	
PNT20	x	x	x	x
PNT30	x	x	x	x
PNT305	x	x	x	x



Accessories



PLR15/30, air director

The air director directs the airflow vertically (PLR15/30) or laterally (PLR15). PLR is snapped on the front of the heater. Turning angle 0–35°.

Item number	Type	Used for	Dimensions
10274	PLR15	PNT135, PNT15	355x355x60 mm
10275	PLR30	PNT20, PNT30, PNT305	415x445x60 mm

Get In Touch

Call: 0845 6880112
 Email: info@adremit.co.uk

Our Address

Puravent, Adremit Limited, Unit 5a, Commercial Yard, Settle, North Yorkshire, BD24 9RH





Panther T

Control options



Fan speed and thermostat control

The fan heater should be installed with an external thermostat. Selection of the operating mode is done using the external control panel. Delay relays between the output groups prevent simultaneous connection.

- RTI2, electronic 2-step thermostat, IP44
or
KRT2800, 2-step capillary tube thermostat, IP55
- PP15N/PP21/PP31, control panel, controls up to six units. PNT135 requires one PP15N per unit.

Automatic temperature control

The heat can be decreased according to demand, for example at night or weekends. Switches between day and night mode. The output and fan speed are set on the control panel.

- PTA01, automatic temperature control
- PP15N/PP21/PP31, control panel, controls up to six units. PNT135 requires one PP15N per unit.

Controls



PP15N/PP21/PP31, control box

The desired output and fan speed can be set on the control box. Up to 6 units can be controlled by one control box. PNT135 requires one PP15N per unit.

- PP15N: 3 fan steps, 2 output steps
- PP21: fan on/off, 2 output steps
- PP31: fan on/off, 3 output steps

RTI2, electronic 2-step thermostat

Processor controlled 2-step thermostat with concealed dial. Setting range +5 – +35 °C. Connection voltage 230 V (two potential free contacts). Max. breaking current: 16/10 A (230/400 V). IP44.

KRT2800, 2-step capillary tube thermostat

2-step capillary tube thermostat with concealed dial. Setting range 0 – +40 °C. Max. breaking current: 16/10 A (230/400 V). IP55.

PTA01, automatic temperature control

PTA01 can be used to lower the heat when necessary (1–10°C), for example at night or weekends. The control consists of an electronic timer and thermostat with an external sensor. The timer alternates between day and night mode. Protection class: IP55.

Item number	Type	Used for	Dimensions
94730	PP15N	PNT15, PNT135	160x120x96 mm
449201	PP21	PNT20	160x120x96 mm
449203	PP31	PNT30, PNT305	160x120x96 mm
10231	RTI2		155x83x47 mm
5989	KRT2800		165x57x60 mm
10281	PTA01		215x185x115 mm

Get In Touch

Call: 0845 6880112
 Email: info@adremit.co.uk

Our Address

Puravent, Adremit Limited, Unit 5a, Commercial Yard,
 Settle, North Yorkshire, BD24 9RH

