

# TANNER MDE

Electric air heater with axial fan

Output from 6 to 51 kW.



For more information, downloads and videos, visit the Tanner MDE page on our website

## Get In Touch



Call: [0845 6880112](tel:08456880112)



Email: [info@adremit.co.uk](mailto:info@adremit.co.uk)

## Our Address

Puravent, Adremit Limited, Unit 5a, Commercial Yard, Settle, North Yorkshire, BD24 9RH



### Electric air heater for effective heating

The TANNER MDE is a suspended electric air heater for permanent use. The unit is equipped with horizontally adjustable discharge blades and can be mounted with the optional wall bracket. The unit has a powerful axial fan, which means that the unit has many applications.

The TANNER MDE is designed for use in showrooms, changing rooms, corporate hallways, ships and garages.

The TANNER MDE can be operated with an external selector switch. The switch has the following positions:

- Ventilation
- Heating high
- Heating low

The unit is equipped with a thermostat connection.

#### Product features

- Aluzinc housing
- 400V version
- IP 00B
- Long lifetime
- Low noise level
- Integrated electronic thermal protection
- Post-running thermostat for efficient cooling.



Remote connection possible with the PinTherm Infra Connect!

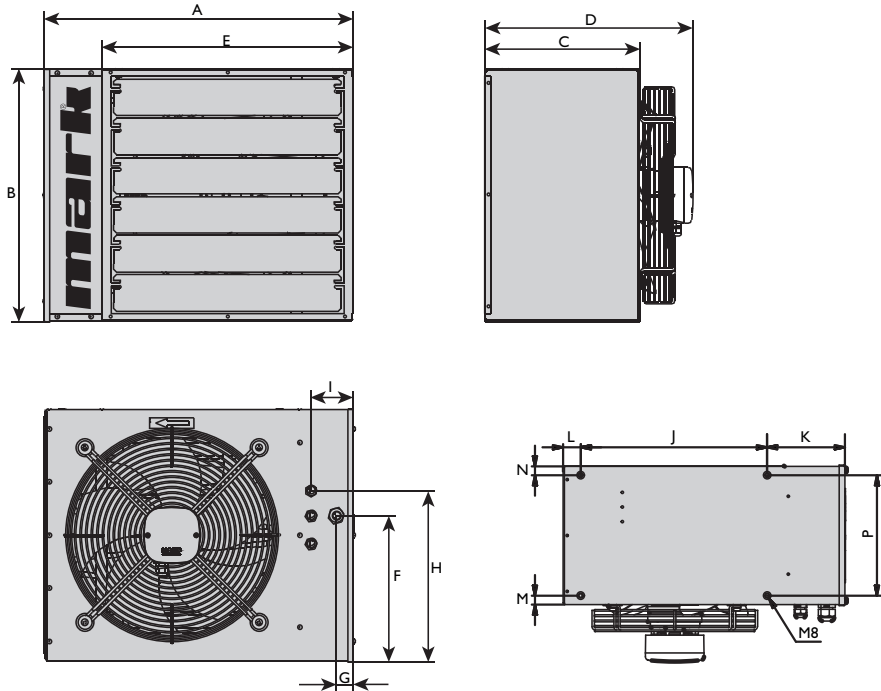
#### Get In Touch

-  Call: [0845 6880112](tel:08456880112)  
 Email: [info@adremit.co.uk](mailto:info@adremit.co.uk)

#### Our Address

Puravent, Adremit Limited, Unit 5a, Commercial Yard,  
Settle, North Yorkshire, BD24 9RH

## Dimensions



Type	A	B	C	D	E	F	G	H	I	J	K	L	M	N	O	P
6	480	380	240	330	380	190	30	235	75	318	133	30	15	15	318	205
9	480	380	240	330	380	190	30	235	75	318	133	30	15	15	318	205
12	550	450	280	370	450	260	30	305	75	390	133	30	35	35	390	205
15	550	450	280	370	450	260	30	305	75	390	133	30	35	35	390	205
24	660	570	300	440	550	290	30	330	75	390	195	78	45	45	390	205
30	660	570	300	440	550	290	30	330	75	390	195	78	45	45	390	205
42	660	570	300	440	550	290	40	330	85	390	195	78	45	45	390	205
51	830	730	350	490	715	450	40	530	85	665	136	29	32	37	665	281

## Technical information

Type	6	9	12	15	24	30	42	51	
Nominal power	kW	6	9	12	15	24	30	42	51
Power steps	kW	3+3	4,5+4,5	6+6	9+6	12+12	15+15	24+18	24+27
Supply voltage (50Hz)	V	3x400V+N+PE							
Consumed current	A	8,7	13,0	17,3	21,7	34,7	43,4	60,7	73,7
Air displacement	m³/h	800	800	1600	1600	2800	2800	4450	6495
Speed	rpm	1400	1400	1000	1000	1000	1000	1400	1000
Delta T (ΔT)	K	22,5	33,8	22,6	28,2	25,7	32,1	28,3	23,6
Weight	kg	13	14	19	20	30	32	36	53
Noise at 5 m	dB(A)	38	38	48	48	50	50	50	52
Throw	m	8	8	12	12	17	17	20	25
Protection class	IP	00B	00B	00B	00B	00B	00B	00B	00B

### Get In Touch

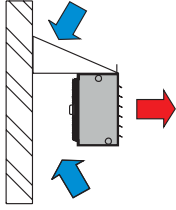
Call: [0845 6880112](tel:08456880112)  
 Email: [info@adremit.co.uk](mailto:info@adremit.co.uk)

### Our Address

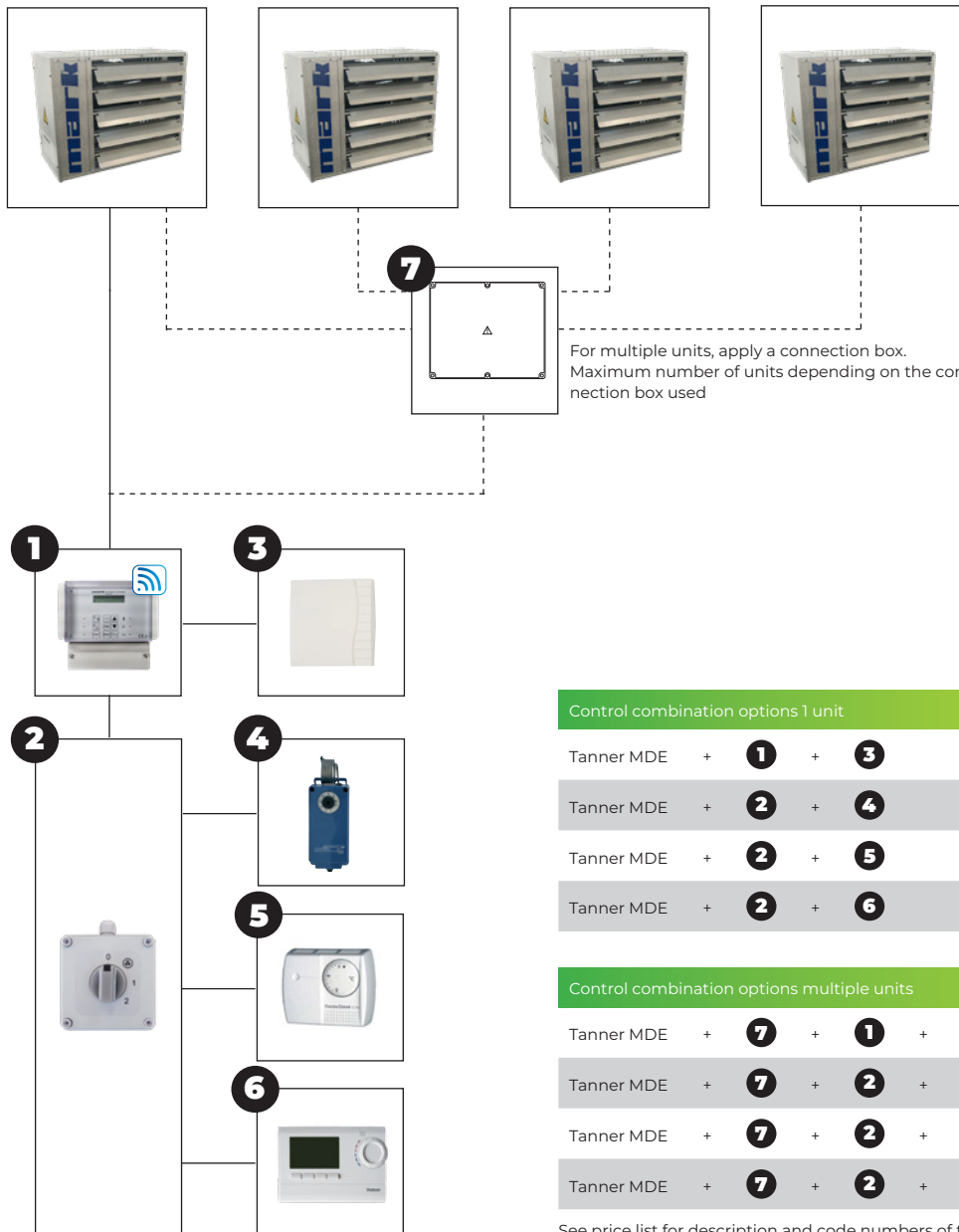
Puravent, Adremit Limited, Unit 5a, Commercial Yard, Settle, North Yorkshire, BD24 9RH



### Assembly/location suggestions



### Controls



#### Control combination options 1 unit

- Tanner MDE + **1** + **3**
- Tanner MDE + **2** + **4**
- Tanner MDE + **2** + **5**
- Tanner MDE + **2** + **6**

#### Control combination options multiple units

- Tanner MDE + **7** + **1** + **3**
- Tanner MDE + **7** + **2** + **4**
- Tanner MDE + **7** + **2** + **5**
- Tanner MDE + **7** + **2** + **6**

See price list for description and code numbers of the relevant items

#### Get In Touch

Call: 0845 6880112  
 Email: [info@adremit.co.uk](mailto:info@adremit.co.uk)

#### Our Address

Puravent, Adremit Limited, Unit 5a, Commercial Yard,  
 Settle, North Yorkshire, BD24 9RH

