

TANNER CLA

Water-supplied air heater for recessed ceiling system

Water-supplied air heater for system ceiling with a RAL9010 coating, suitable for heating and cooling.



For more information, downloads and videos, visit the Tanner CLA page on our website

Get In Touch



Call: [0845 6880112](tel:08456880112)



Email: info@adremit.co.uk

Our Address

Puravent, Adremit Limited, Unit 5a, Commercial Yard, Settle, North Yorkshire, BD24 9RH



Ceiling cassette unit for heating and cooling

The Mark TANNER CLA is a water-supplied air heater intended for installation in a suspended ceiling. The cassette unit is equipped with an EC motor.

The CLA has the same appearance as the internal part of a split air conditioning unit. The unit can also be fitted with a design plate in color that is suitable for placement in rooms where high-quality requirements are imposed on interior architecture.

The CLA is applicable in, for example, showrooms, offices, changing rooms and shops.



Product features

- Modern design
- Low maintenance
- Powerful energy-efficient EC motor
- Quiet
- Built-in protected condensate pump
- Available with one or two water circuits

Get In Touch



Call: [0845 6880112](tel:08456880112)



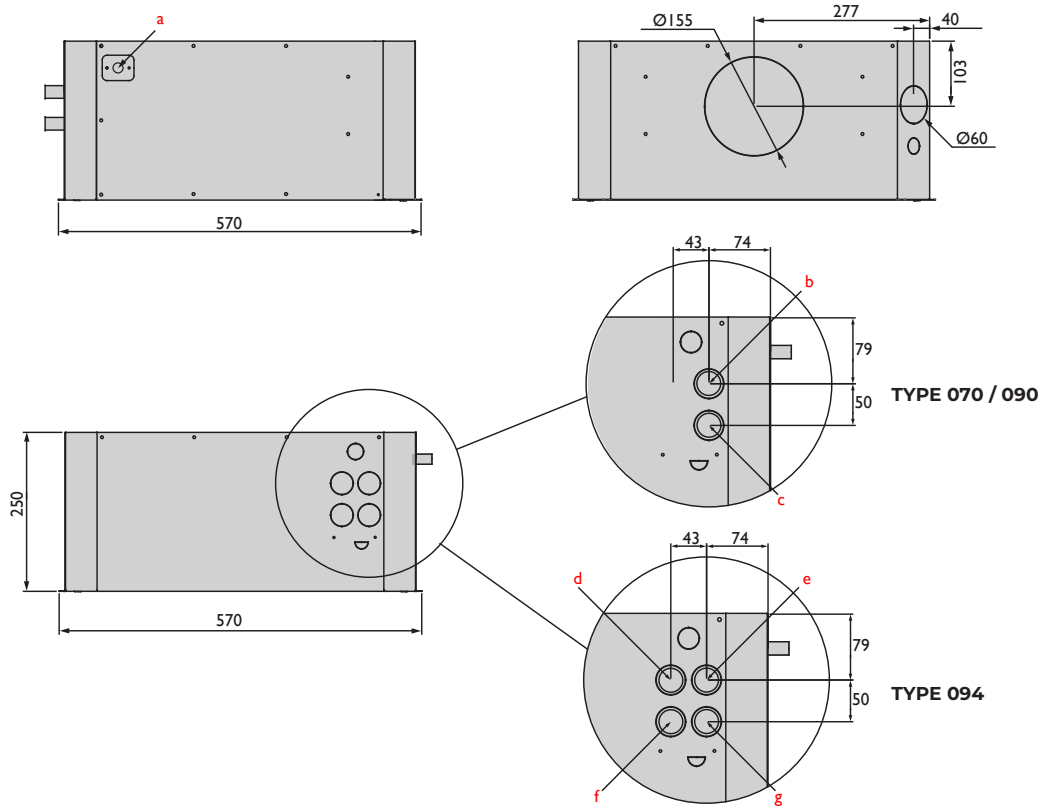
Email: info@adremit.co.uk

Our Address

Puravent, Adremit Limited, Unit 5a, Commercial Yard,
Settle, North Yorkshire, BD24 9RH

Dimensions

TYPE 070/090/094



a = Condensate drain Ø16

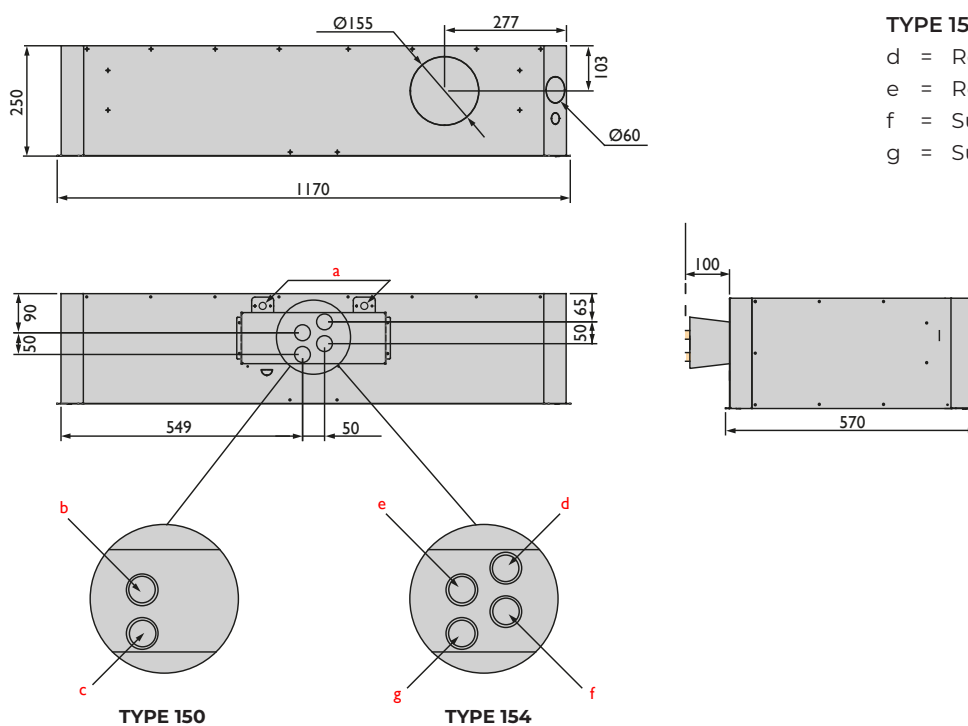
TYPE 070 / 090 / 150 (2-pipe)

- b = Return
- c = Supply

TYPE 150 / 094 (4-pipe)

- d = Return heating
- e = Return cooling
- f = Supply heating
- g = Supply cooling

TYPE 150/154



Get In Touch

Call: 0845 6880112
 Email: info@adremitt.co.uk

Our Address

Puravent, Adremitt Limited, Unit 5a, Commercial Yard,
 Settle, North Yorkshire, BD24 9RH



Technical information

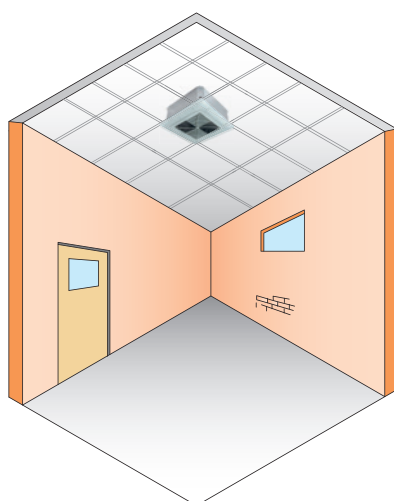
Type		070*	090*	094**	150*	154**
Total cooling capacity 7/12°C, T=27, rv=50	H - kW (10V)	4,32	7,29	6,39	13,49	11,20
	M - kW (6V)	2,88	4,74	4,26	11,60	9,75
	L - kW (2V)	1,27	2,17	2,05	7,44	6,43
Sensible cooling capacity 7/12°C, T=27, rv=50	H - kW (10V)	2,99	4,86	4,11	8,56	7,15
	M - kW (6V)	2,06	3,14	2,76	7,38	6,23
	L - kW (2V)	1,04	1,40	1,35	4,73	4,14
Water flow	l/h (10V)	742	1251	1096	2314	1923
Pressure drop	kPa	3,5	5,0	34,3	36,6	31,8
Heating capacity 60/40°C, T=20	H - kW (10V)	5,89	11,48	4,51	19,75	7,43
	M - kW (6V)	3,93	6,92	3,23	15,25	6,48
	L - kW (2V)	1,95	3,17	1,77	9,79	4,66
Water flow	l/h (10V)	259	501	210	763	295
Pressure drop	kPa	3,1	4,5	2,8	34,4	5,0
Heating capacity 50/43°C, T=20	H - kW (10V)	5,85	8,60	7,19	14,8	21,54
	M - kW (6V)	3,96	5,46	5,08	12,63	11,12
	L - kW (2V)	1,94	2,43	2,73	7,88	7,80
Water flow	l/h (10V)	742	1251	632	2314	1101
Pressure drop	kPa	3,1	4,6	22,1	34,6	43,4
Air amount	H - m³/h (10V)	980	980	980	1620	1620
	M - m³/h (6V)	590	590	590	1360	1360
	L - m³/hs (2V)	250	250	250	820	820
Sound level	dB(A) (10V)	48	48	48	51	51
Supply voltage	V/Ph/Hz	210-230/1/50-60				
Power consumption	W (10V)	41	45	45	85	85
Current consumption	A (10V)	0,36	0,42	0,42	0,55	0,55
Water connections	Nr. x "	2 x 3/4"F	2 x 3/4"F	4 x 3/4"F	2 x 3/4"F	4 x 3/4"F
Weight	kg	18	19	19,5	38	39

H = high speed, M = medium speed, L = low speed

* For heating or cooling (one coil)



** For heating and cooling (two coils)

Assembly/location suggestions



Throw = 3,5M

Get In Touch

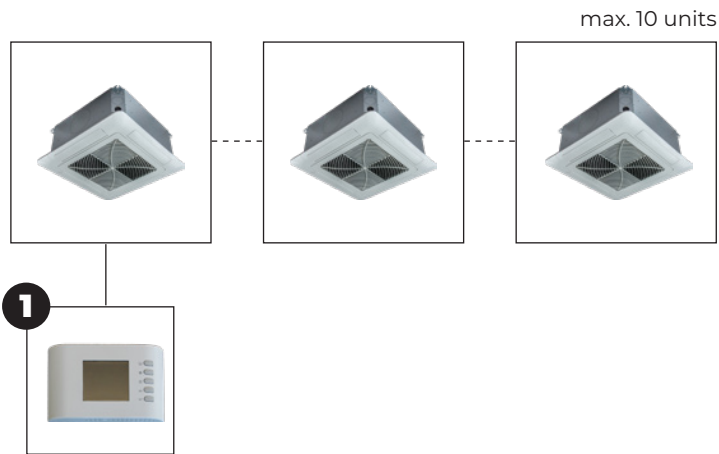
 Call: [0845 6880112](tel:08456880112)
 Email: info@adremit.co.uk

Our Address

Puravent, Adremit Limited, Unit 5a, Commercial Yard, Settle, North Yorkshire, BD24 9RH



Controls





Control combination options

Tanner CLA + **1**

See price list for description and code numbers of the relevant items

Get In Touch

 Call: [0845 6880112](tel:08456880112)
 Email: info@adremit.co.uk

Our Address

Puravent, Adremit Limited, Unit 5a, Commercial Yard,
Settle, North Yorkshire, BD24 9RH