



GSX

Gas-fired air heater with axial fan

Air heater with premix burner for unrestricted outlet into the room.
Output from 13,7 to 84,6 kW.



For more information, downloads and videos, visit the GSX page on our website

Get In Touch



Call: [0845 6880112](tel:08456880112)



Email: info@adremit.co.uk

Our Address

Puravent, Adremit Limited, Unit 5a, Commercial Yard,
Settle, North Yorkshire, BD24 9RH



Product features

- Long lifespan
- Low operating costs
- Robust
- Reliable
- Uniform temperature distribution through high air displacement
- Small ΔT
- Small difference between supply air and room temperature
- Control up to 8 units possible via a 2-wire bus system
- Zone heating possible via 1 control (up to 8 zones)

Economical heating with the GSX

With the Mark GSX heat is generated via a premix-burner and blown out by means of an axial fan. The robust air heater is particularly suitable for industrial use and is very economical thanks to its low gas consumption, low maintenance and long lifespan.

The Mark GSX series fully complies to the new Ecodesign 2021 and has a capacity range of 13,7 to 84,6 kW.

The GSX is suitable to heat garages, warehouses, workshops, distribution centers, showrooms and more.

Standard equipment:

- Stainless steel heat exchanger
- Closed combustion circuit
- Premix burner
- Electronic ignition
- Aluzinc coating
- Powerful axial fan(s)
- Downflow hood with horizontal louvers
- CE-approval
- No condensation pipe required



The GSX is standard equipped with a speed-regulated, low-noise EC fan. Advantages:

- The highest efficiency in case of speed control
- Up to 50% energy saving in case of partial load
- Almost completely linearly adjustable
- Long lifetime
- Low noise level
- Integrated electronic thermal protection



The GSX is operated using an Optitherm+ clock thermostat or an Interface+ module that allows a connection with the BMS (building management system) via Modbus. The Optitherm+ also makes it possible to control the GSX units remotely with an app for mobile phone and tablet.

Get In Touch

-  Call: [0845 6880112](tel:08456880112)
 Email: info@adremit.co.uk

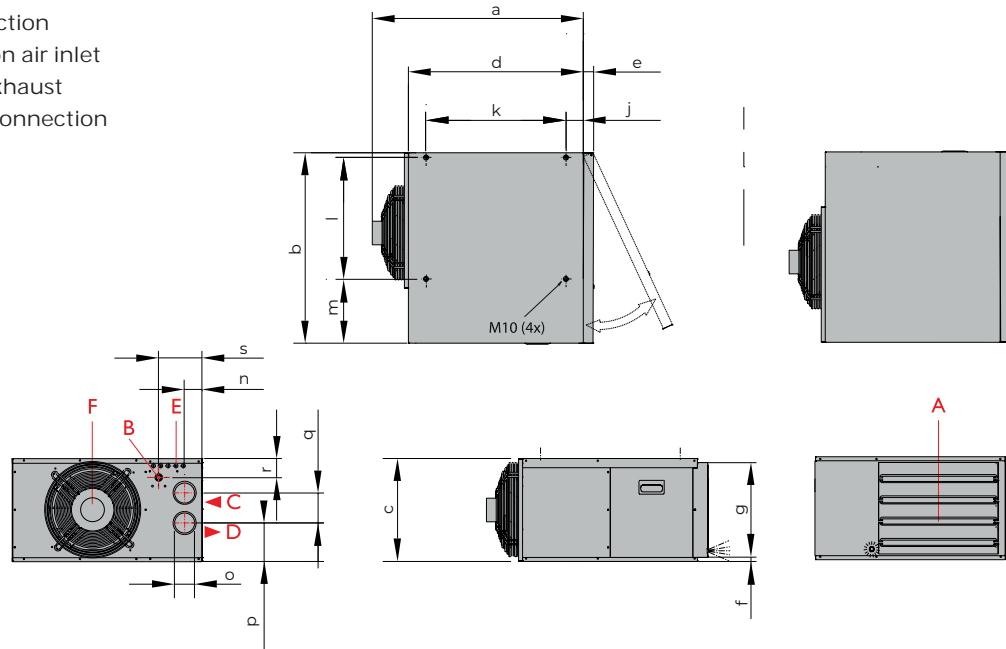
Our Address

Puravent, Adremit Limited, Unit 5a, Commercial Yard, Settle, North Yorkshire, BD24 9RH

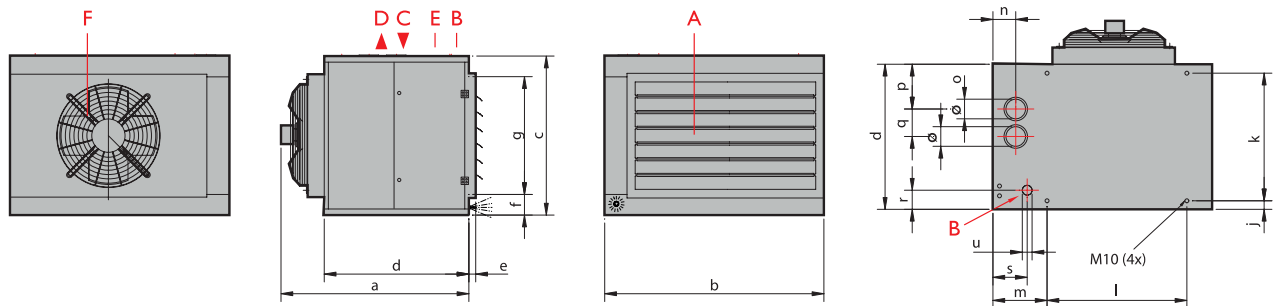


Dimensions

- A = Horizontal louvres
- B = Gas connection
- C = Combustion air inlet
- D = Flue gas exhaust
- E = Electrical connection
- F = Axial fan



TYPE	a	b	c	d	e	f	g	h	i	j	k	l	m	n	o	p	q	r	s	u
20	790	760	410	700	40	15	380	210	60	70	560	485	255	70	80	150	120	80	175	1/2" (M)



TYPE	a	b	c	d	e	f	g	h	i	j	k	l	m	n	o	p	q	r	s	u
35	969	875	810	739	35	105	600	165	110	90	560	470	275	120	80	240	120	97	135	3/4" (M)
55	969	1120	810	739	35	105	600	165	110	90	560	715	275	120	100	230	140	97	135	3/4" (M)
75	969	1305	810	739	35	105	600	165	110	90	560	890	275	120	100	230	140	97	135	1" (M)
90	979	1595	810	739	35	105	600	165	110	90	560	1180	275	120	100	230	140	97	135	1" (M)

Get In Touch

Call: [0845 6880112](tel:08456880112)
 Email: info@adremit.co.uk

Our Address

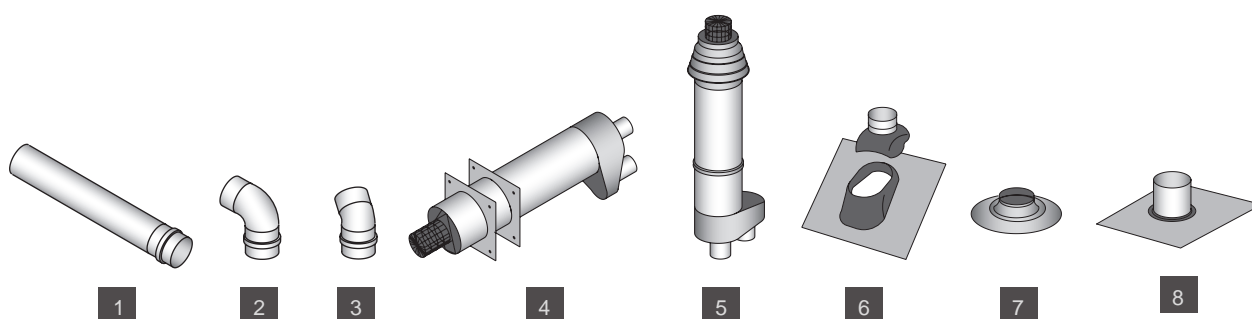
Puravent, Adremit Limited, Unit 5a, Commercial Yard,
 Settle, North Yorkshire, BD24 9RH



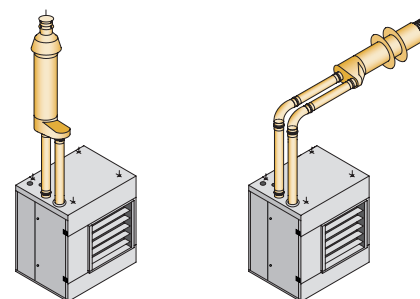
Technical information

Type		20	35	55	75	90
Nominal load (lower value)	kW	14,5 - 10,2	34,9 - 24,2	51,3 - 35,9	72,0 - 50,4	90 - 63
Nominal load (upper value)	kW	16,1 - 11,3	38,8 - 26,9	57,0 - 39,9	80,0 - 56,0	100 - 70
Nominal power	kW	13,7 - 9,8	32,6 - 23,1	48,0 - 34,3	68,2 - 48,4	84,4 - 60,1
Flue efficiency max (lower value)	%	94,5	93,4	93,6	94,7	93,8
Flue efficiency min (lower value)	%	96,1	95,5	95,5	96,0	95,4
Gas consumption G25 (15 °C)	m ³ /h	1,8 - 1,2	4,2 - 2,9	6,19 - 4,33	8,69 - 6,1	10,86 - 7,6
Gas consumption G20 (15 °C)	m ³ /h	1,5 - 1,1	3,7 - 2,6	5,43 - 3,8	7,62 - 5,3	9,52 - 6,7
Gas consumption G31 (15 °C)	kg/h	1,13 - 0,79	2,72 - 1,89	3,99 - 2,79	5,59 - 3,91	6,99 - 4,89
Gas consumption G30 (15 °C)	kg/h	1,14 - 0,79	2,75 - 1,93	4,05 - 2,84	5,67 - 3,97	7,10 - 4,97
Air displacement (20 °C)	m ³ /h	2400-1800	5900-4800	9300-6300	14000-9200	16500-11800
Delta T (T)	K	17,1-16,3	16,6-14,3	15,6-16,4	14,6-15,8	15,4-15,3
Throw	m	14	28	26	32	36
Weight	kg	50	89	101	123	139
Noise level (5 m, side)	dB(A)	52-48	59-53	60-48	66-53	62-53
Electrical power at 230V	W	200	410	650	1490	1050
Consumed current	A	0,9	1,9	2,9	6,8	4,8

Accessories – flue gas exhaust



- | | |
|------------------------------|---|
| 1 Extension set | 5 Single flue set vertical |
| 2 90° elbow | 6 Roof flashing for pitched roof |
| 3 45° elbow | 7 Adhesive plate |
| 4 Single flue set horizontal | 8 Flexible roof flashing for cladded roof |



Get In Touch

 Call: [0845 6880112](tel:08456880112)
 Email: info@adremitt.co.uk

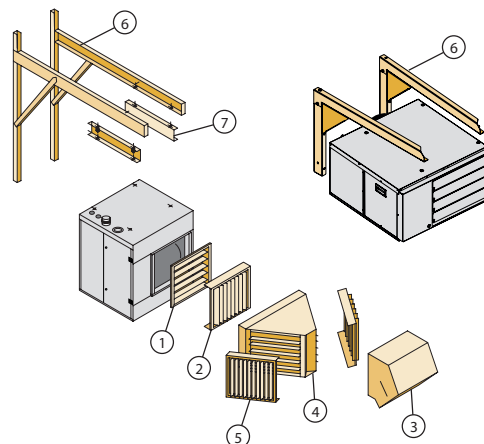
Our Address

Puravent, Adremitt Limited, Unit 5a, Commercial Yard,
Settle, North Yorkshire, BD24 9RH

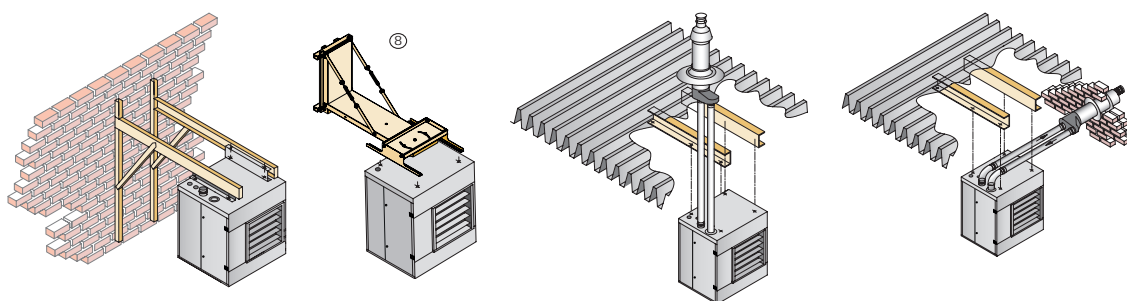


Accessories – additional sections

- 1 = Horizontal louvers (standard)
- 2 = Vertical louvres
- 3 = Downflow hood 45°
- 4 = Diffuser (2 x 45°) and horizontal louvres
- 5 = Vertical louvres for diffuser
- 6 = Set of wall mounting brackets
- 7 = Shock absorbers set
- 8 = Reversible wall bracket (types 20 - 55)



Assembly/location suggestions



Get In Touch

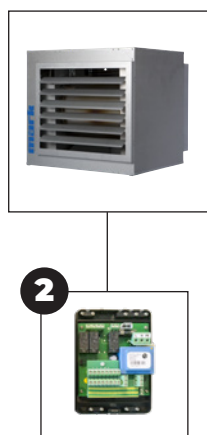
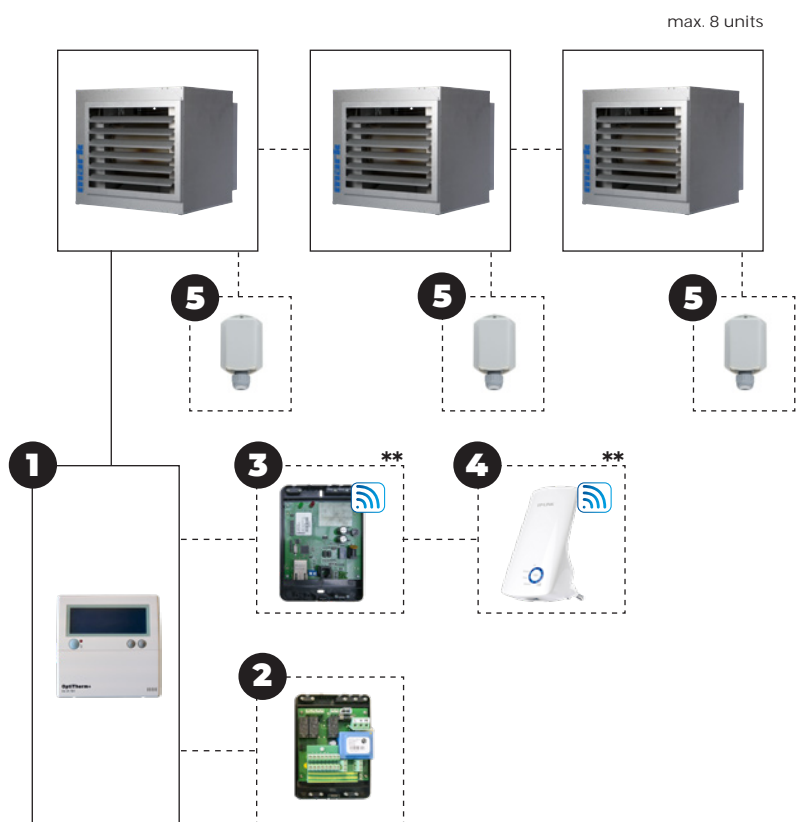
 Call: [0845 6880112](tel:08456880112)
 Email: info@adremit.co.uk

Our Address

Puravent, Adremit Limited, Unit 5a, Commercial Yard,
 Settle, North Yorkshire, BD24 9RH



Controls



Control combination options

- Room temperature control**
- GSX + **1**
 - GSX + **1** + **5**

Room temperature control in combination with remote control*

A remote connection with the mobile phone app is only possible when using a Web module. A WiFi bridge can be added to create a wireless connection.

- GSX + **1** + **3**
- GSX + **1** + **3** + **4**
- GSX + **1** + **5** + **3**
- GSX + **1** + **5** + **3** + **4**

Room temperature control in combination with Modbus

Allows you to read the status and change the settings of the Optitherm+.

- GSX + **1** + **2** + **5**
- GSX + **1** + **2**

Capacity control with external 0-10V signal or Modbus Heating / Continuous ventilation / reset contacts / Modbus communication

- GSX + **2**

* You need a separate Optitherm+ and Web module for each unit that you want to read out via the app. When using one Web module, only the fault messages and history of the first unit can be read via the app. It is possible to control multiple unit with one Web module via the app.

** Temporarily unavailable

See price list GS+ for description and code numbers of the relevant items

Get In Touch

Call: 0845 6880112
Email: info@adremit.co.uk

Our Address

Puravent, Adremit Limited, Unit 5a, Commercial Yard, Settle, North Yorkshire, BD24 9RH

