



Technical data

Voltage	U	230	V
Phase		1	~
Frequency		50	Hz
Speed		1395	RPM
Power consumption	P _e	250	W
Nominal current	I	1.3	A
Maximum current	I	1.7	A
Capacitor		06/400	µF
Ambient temperature	T _{amb min/max}	-25...40	°C
Insulation Class		CL.F	
IP Class Fan		IP55	
Weight		13.9	kg
Packing dimensions		550x550x480	mm

Fan details

Impeller blades		6
Impeller type		3
Impeller system		C
Impeller material		PP

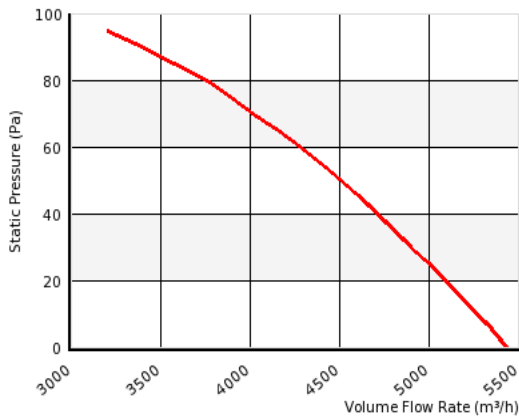
Control options

Triac controller	Yes
Transformer	Yes
Frequency drive	No
Intelligent Fan Drive	Yes

* All control options including single phase control frequency are available. Please contact Vostermans Ventilation Sales for more information

Characteristics

0 Pa 5450 m³/h
50 Pa 4500 m³/h



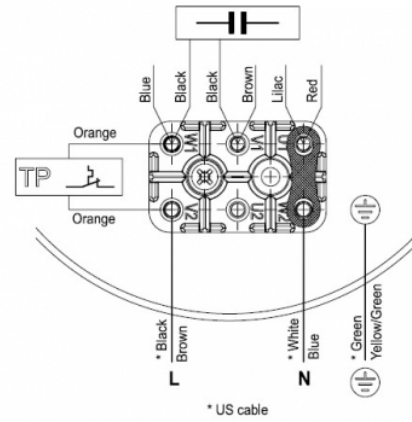
Please note: Picture may deviate from original product

Approval(s)

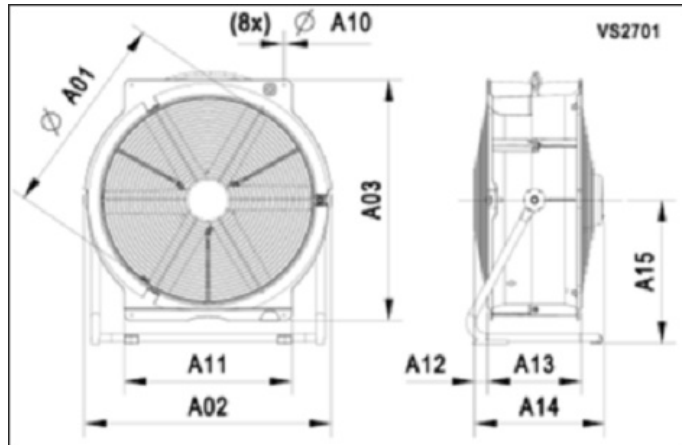


Wiring diagram - Fan

AA01 - 1 Phase - Standard - CCW



Dimensions



- A01: 420 mm
- A02: 515 mm
- A03: 520 mm
- A10: 7 mm
- A11: 365 mm
- A12: 37 mm
- A13: 216 mm
- A14: 320 mm
- A15: 304 mm



Vostermans Ventilation B.V.
Venlo - The Netherlands
+31 (0)77 389 32 32
ventilation@vostermans.com
www.vostermans.com

Vostermans Ventilation Inc.
Bloomington, IL - U.S.A.
+1 309 827 9798
ventilation@vostermansusa.com
www.vostermansusa.com

Vostermans Ventilation Ltd. Co.
Shanghai - China
+86 21 5290 2889/2899
ventilation@vostermanschina.com
www.vostermans.com

Vostermans Ventilation Sdn. Bhd.
Tmn Klang Jaya - Malaysia
+60 (0)33324 3638
ventilation@vostermansasia.com
www.vostermansasia.com

Version 2.3.07Apr2021

Get In Touch

Call: 0845 6880112
Email: info@adremit.co.uk

Our Address

Puravent, Adremit Limited, Unit 5a, Commercial Yard, Settle, North Yorkshire, BD24 9RH

