



**Technical data**

Voltage	U	200-230V	V
Phase		1	~
Frequency		50/60	Hz
Speed		415	RPM
Power consumption	P <sub>e</sub>	650	W
Nominal current	I	4.6	A
Maximum current	I	4.8	A
Capacitor		-	µF
Ambient temperature	T <sub>amb min/max</sub>	-25...40	°C
Insulation Class		CL.F	
IP Class Fan		IP55	
Sound pressure level at 2 m	L <sub>p</sub>	60	dB(A)
Weight		115.8	kg

**Fan details**

Impeller blades		3
Impeller type		10
Impeller system		N
Impeller material		PG

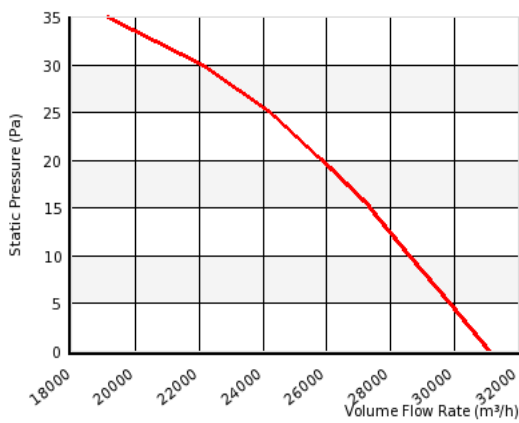
**Control options**

Triac controller	No
Transformer	No
Frequency drive	No
Intelligent Fan Drive	No

\* All control options including single phase control frequency are available. Please contact Vostermans Ventilation Sales for more information

**Characteristics**

0 Pa	31100 m <sup>3</sup> /h
30 Pa	22100 m <sup>3</sup> /h



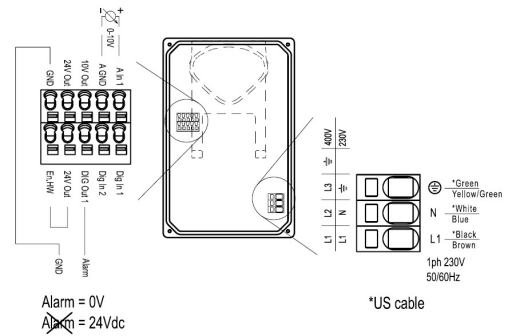
Please note: Picture may vary from original product

Approval(s)

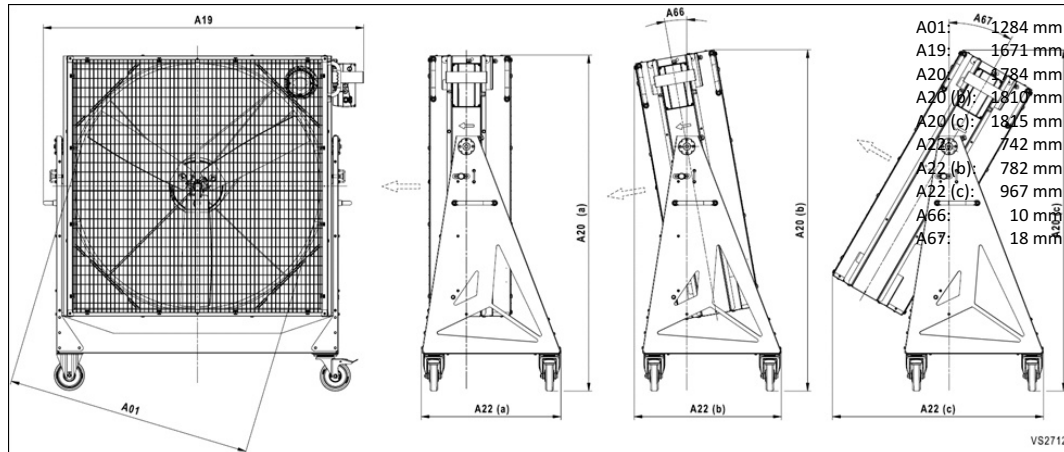


**Wiring diagram - Fan**

AQ01 - 1 Phase ECplus controller --



**Dimensions**



Vostermans Ventilation B.V.  
 Venlo - The Netherlands  
 +31 (0)77 389 32 32  
 ventilation@vostermans.com  
 www.vostermans.com

Vostermans Ventilation Inc.  
 Bloomington, IL - U.S.A.  
 +1 309 827 9798  
 ventilation@vostermansusa.com  
 www.vostermansusa.com

Vostermans Ventilation Ltd. Co.  
 Shanghai - China  
 +86 21 5290 2889/2899  
 ventilation@vostermanschina.com  
 www.vostermans.com

Vostermans Ventilation Sdn. Bhd.  
 Tmn Klang Jaya - Malaysia  
 +60 (0)33324 3638  
 ventilation@vostermansasia.com  
 www.vostermansasia.com

**Get In Touch**

Call: 0845 6880112  
 Email: [info@adremit.co.uk](mailto:info@adremit.co.uk)

**Our Address**

Puravent, Adremit Limited, Unit 5a, Commercial Yard,  
 Settle, North Yorkshire, BD24 9RH

