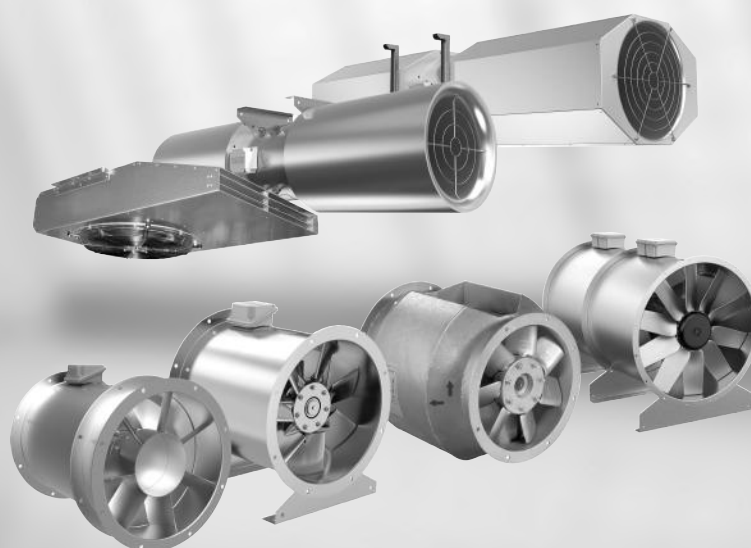


Axial Fans/Jet fans AXC, AXCBF, AXR, AXS, AXCP, AXCPV, AJR, AJ8, IV

Installation and Operating Instructions

GB

Document in original language | - 007



Get In Touch

 Call: [0845 6880112](tel:08456880112)
 Email: info@adremit.co.uk

Our Address

Puravent, Adremit Limited, Unit 5a, Commercial Yard,
Settle, North Yorkshire, BD24 9RH



© Copyright Systemair AB
All rights reserved
E&OE

Systemair AB reserves the rights to alter their products without notice.
This also applies to products already ordered, as long as it does not affect the previously agreed specifications.



Get In Touch



Call: [0845 6880112](tel:08456880112)



Email: info@adremit.co.uk

Our Address


Puravent, Adremit Limited, Unit 5a, Commercial Yard,
Settle, North Yorkshire, BD24 9RH



Contents

1	General information	1	7.7	Vibration dampers	16
1.1	Notice symbols	1	7.7.1	Sylodyn vibration kit (if used)	16
1.1.1	Instruction symbols	1	7.8	Lifting and positioning	17
2	Important safety information	1	7.9	Installation positions	18
2.1	Personnel	1	7.9.1	Installation of the ventilation system	18
2.2	Personal protective equipment	2	7.9.2	Distance from the wall/ceiling	19
2.3	5 rules of electrical safety	2	7.9.3	Installation of flexible connections	19
3	Warranty	2	7.9.4	Installation silencer	20
4	Delivery, transport, storage	2	7.9.5	Special points of installation	20
4.1	Safety information	2	7.9.6	Air gap	21
4.2	Delivery	2	7.10	Installation jet fans AJR, AJ8 and IV	21
4.3	Transport	3	7.10.1	Air gap	21
4.3.1	Safety information	3	7.10.2	Deflector	22
4.4	Storage	3	8	Electrical connection	22
5	Description	4	8.1	Safety information	22
5.1	General	4	8.2	Protecting the motor	22
5.1.1	Fan and motor data	4	8.3	Connection	23
5.1.2	Temperature types	4	8.3.1	Terminal box	23
5.2	Description axial fans (AXC, AXR, AXS, AXCP, AXCPV)	5	8.3.2	Connection diagrams	24
5.2.1	Construction	5	8.4	Frequency converter (if used)	24
5.2.2	Types	5	9	Commissioning	24
5.2.3	Accessories	8	9.1	Safety information	24
5.3	Description Jet fans	9	9.2	Preconditions	24
5.3.1	Description AJR/AJ8	9	9.3	Tests	24
5.3.2	Description IV fan	11	9.4	Commissioning of speed-controlled fans	25
5.4	Description AXCBF	12	9.5	Adjusting the blade angle	25
5.4.1	Construction	12	10	Operation	25
5.5	Intended use	13	10.1	Safety information	25
5.6	Incorrect use	13	10.2	Preconditions	25
6	Name plate and type key	14	10.3	Speed-controlled fan operation	25
7	Installation	15	11	Troubleshooting/maintenance/repair	25
7.1	Safety information	15	11.1	Safety information	25
7.2	Preconditions	15	11.2	Troubleshooting	25
7.3	Tests after long storage time (more than 12 months)	15	11.3	Maintenance	26
7.4	Tightening torques of screw-type connections according to DIN 13	16			
7.5	Mounting feet	16			
7.6	Avoid resonance frequencies	16			

Get In Touch

 **Call:** 0845 6880112
 **Email:** info@adremit.co.uk

Our Address

Puravent, Adremit Limited, Unit 5a, Commercial Yard,
Settle, North Yorkshire, BD24 9RH



Contents

11.4	Variable-speed fans.....	27
11.5	Overhaul/further maintenance.....	28
11.6	Spare parts	28
12	Cleaning.....	28
12.1	Safety information.....	28
12.2	Preconditions	28
13	Deinstallation/dismantling.....	28
14	Disposal	28
15	EU Declaration of conformity.....	29
16	Commissioning Report.....	30

Get In Touch



Call: [0845 6880112](tel:08456880112)



Email: info@adremit.co.uk

Our Address

Puravent, Adremit Limited, Unit 5a, Commercial Yard,
Settle, North Yorkshire, BD24 9RH

1 General information

1.1 Notice symbols



Danger

Direct hazard

Failure to comply with this warning will lead directly to death or to serious injury.



Caution

Hazard with a low risk

Failure to comply with this warning may lead to moderate injuries.



Warning

Potential hazard

Failure to comply with this warning may lead to death or serious injury.

Important

Hazard with risk of damage to objects

Failure to comply with this warning will lead to damage to objects.



Note:

Useful information and instructions

1.1.1 Instruction symbols

Instruction

- ◆ Carry out this action
- ◆ (if applicable, further actions)

Instruction with fixed sequence

1. Carry out this action
2. Carry out this action
3. (if applicable, further actions)

2 Important safety information

Planners, plant builders and operators are responsible for the proper assembly and intended use.

- ◆ Read the operating instructions completely and carefully.
- ◆ Keep the operating instructions and other valid documents, such as the circuit diagram or motor instructions, with the fan. They must always be available at the place of use.
- ◆ Observe and respect local conditions, regulations and laws.
- ◆ Abide by the system-related conditions and requirements of the system manufacturer or plant constructor.
- ◆ Safety elements may not be dismantled, circumvented or deactivated.
- ◆ Only use the fan in operational condition, if in doubt contact Systemair.
- ◆ Provide generally prescribed electrical and mechanical protective devices.
- ◆ During installation, electrical connection, commissioning, troubleshooting, and maintenance, secure the location and premises against unauthorised access.
- ◆ Do not circumvent any safety components or put them out of action.
- ◆ Keep all the warning signs on the fan complete and in a legible condition.
- ◆ The device is not to be used by persons (including children) with reduced physical, sensory or mental capabilities, or lack of experience and knowledge, unless they have been given supervision or instruction.
- ◆ Do not allow children to play with the device.

2.1 Personnel

The fan may only be used by qualified, instructed and trained personnel. The persons must know the relevant safety directives in order to recognise and to avoid risks. The individual activities and qualifications can be found in Table 1 *Qualifications*, page 2.

Get In Touch

- Call: 0845 6880112
- Email: info@adremit.co.uk

Our Address

Puravent, Adremit Limited, Unit 5a, Commercial Yard,
Settle, North Yorkshire, BD24 9RH

Table 1 Qualifications

Activities	Qualifications	
Storage, operation, transport, cleaning, disposal	Trained personnel (see following note)	
Electrical connection, commissioning, electrical disconnection	Electrical expert or matching qualification	
Installation, disassembly	Fitter or matching qualification	
Maintenance	Electrical expert or matching qualification	Fitter or matching qualification
Repair	Electrical expert or matching qualification	Fitter or matching qualification
	Smoke extraction fans and EX fans only by agreement with Systemair.	

**Note:**

The operator is responsible for ensuring that personnel are instructed and have understood the contents of the operating instructions. If something is unclear, please contact Systemair or its representative.

2.2 Personal protective equipment

◆ Wear protective equipment during all work in the vicinity of the fan.

- protective working clothes
- protective working gloves
- goggles
- protective working shoes
- helmet
- hearing protection

2.3 5 rules of electrical safety

1. Disconnect (disconnection of the electrical system from live components at all terminals)
2. Prevent reactivation
3. Test absence of voltage
4. Ground and short-circuit
5. Cover or restrict adjacent live parts

3 Warranty

For the assertion of warranty claims, the products must be correctly connected and operated, and used in accordance with the data sheets. Further prerequisites are a completed maintenance plan with no gaps and a commissioning report. Systemair will require these in the case of a warranty claim. The commissioning report is a component of this document. The maintenance plan must be created by the operator, see section 11.3 *Maintenance*, page 26.

4 Delivery, transport, storage

4.1 Safety information

Warning: Risk from rotating fan blades

◆ Prevent access by unauthorised persons by safety personnel or access protection.

Warning: Suspended loads

- ◆ Wear protective equipment during all work in the vicinity of the fan, details see 2.2 *Personal protective equipment*, page 2.
- ◆ Do not walk under suspended loads.
- ◆ Make sure that there is nobody under a suspended load.

4.2 Delivery

Each fan leaves our plant in an electrically and mechanically proper condition. We recommend transporting the fan to the installation site in the original packaging.

Get In Touch

Call: 0845 6880112
 Email: info@adremit.co.uk

Our Address

Puravent, Adremit Limited, Unit 5a, Commercial Yard,
 Settle, North Yorkshire, BD24 9RH

Checking delivery

- ◆ Check the packaging and the fan for transport damage. Any findings should be noted on the cargo manifest.
- ◆ Check completeness of the delivery.

Unpacking



Warning

When opening the transport packaging, there is a risk of damage from sharp edges, nails, staples, splinters etc.

- ◆ Unpack the fan carefully.
- ◆ Check the fan for obvious transport damage.
- ◆ Only remove the packaging shortly before assembly.
- ◆ Wear protective equipment during all work in the vicinity of the fan, details see 2.2 *Personal protective equipment*, page 2.

4.3 Transport

4.3.1 Safety information

Warning: Electrical or mechanical hazards due to fire, moisture, short circuit or malfunction.

- ◆ Never transport the fan by the connecting wire, terminal box, impeller, protection grille, inlet cone or silencer.
- ◆ In open transport, please make sure that no water can penetrate into the motor or other sensitive parts.
- ◆ We recommend transporting the fan to the installation site in the original packaging.

Caution: If transported without care during loading and unloading, the fan may be damaged.

- ◆ Load and unload the fan carefully.
- ◆ Use hoisting equipment that is suitable for the weight to be hoisted.
- ◆ Observe the transportation arrows on the packaging.
- ◆ Use the fan packaging exclusively as transport protection and not as a lifting aid.

4.4 Storage

Safety information

Warning: Risk of injury and damage to the fan.

- ◆ Do not stack the fans on top of one another.
- ◆ Do not use transport packaging as hoisting aids.
- ◆ Use hoisting equipment that is suitable for the weight to be hoisted.

Preconditions

- ◆ Store the devices in a clean, dry and vibration-free environment.
- ◆ Storage temperature should be between -20°C and 60°C.

Storage more than 3 months

- ◆ Turn the impeller at least 10 revolutions once a month.
- ◆ Please ensure that the impeller is at a different position afterwards.

Storage more than 12 months

- ◆ We recommend an inspection by the after-sales service of Systemair before commissioning.

Get In Touch

- 📞 Call: [0845 6880112](tel:08456880112)
- ✉ Email: info@adremit.co.uk

Our Address

Puravent, Adremit Limited, Unit 5a, Commercial Yard, Settle, North Yorkshire, BD24 9RH

5 Description

5.1 General

- The fan conveys air in an axial direction from the intake side via the electric motor to the outlet side. (except AXCBF).
- The electrical connection is made through a terminal box installed on the outside of the housing (except AXCBF).

Sensors (optional)

Sensors can be connected to the fan to monitor the roller bearings and for vibration monitoring.

Standstill heating (optional)

The standstill heating starts when the motor switches off and vice versa.

5.1.1 Fan and motor data

- The technical data of the fan can be seen on the name plate or the data sheet.
- The motor data can be found on the name plate of the motor or in the technical documents of the motor manufacturer.

5.1.2 Temperature types

Table 2 Types of fans

Type	Diameter [mm]	Long-term operation -20°C...55°C	(K) 250°C/ 120 min.	(B) 300°C/ 120 min.	(F) 400°C/ 120 min.
AXC/AXR/AXS/AXCP/AXCPV	315 – 1600	X			
AXC...(K)/AXR...(K)	315 – 1600	X	X		
AXC...(B)/AXR...(B)/AXCP...(B)/AXCPV...(B)	315 – 1600	X		X	
AXC...(F)AXR...(F)	315 – 1600	X			X
AJR/AJ8	315 – 400	X			
AJR...(K)/AJ8...(K)	315 – 400	X	X		
AJR...(B)AJ8...(B)	315 – 400	X		X	
AJR...(F)/AJ8...(F)	315 – 400	X			X
IV	50, 85, 100	X			
IV...(B)	50, 85, 100	X		X	
IV...(F)	50, 85, 100	X			X

AXCBF- Thermo fans are equipped with an encapsulated motor, permanent operation temperature up to 200°C.

Get In Touch

 **Call:** 0845 6880112
 **Email:** info@adremit.co.uk

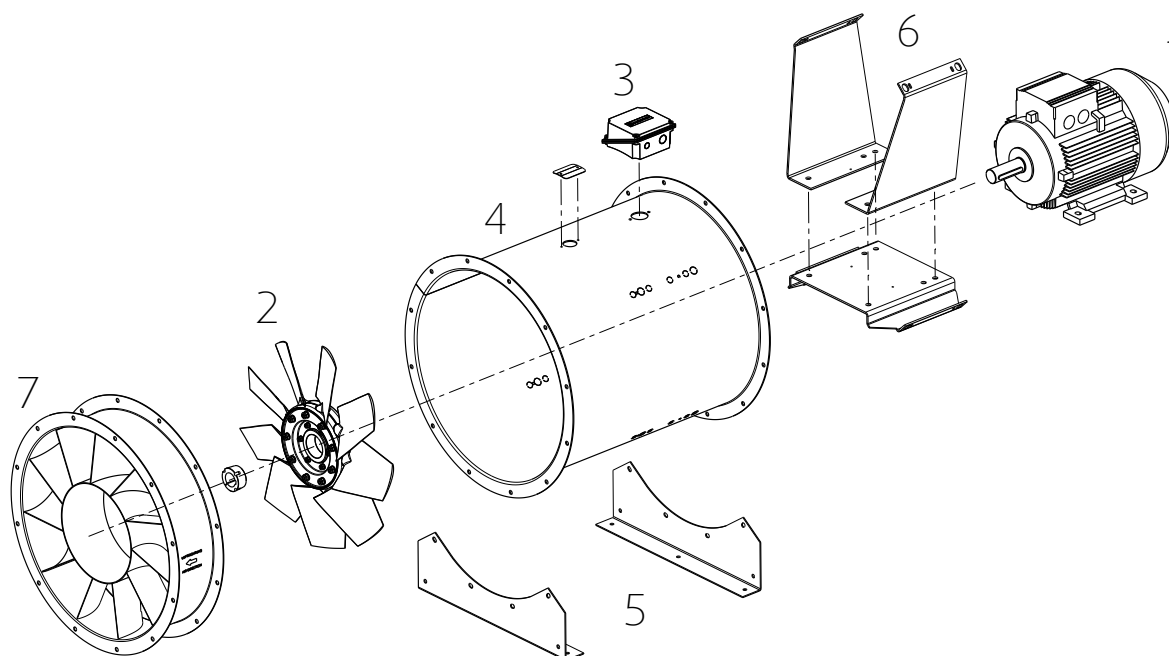
Our Address

Puravent, Adremit Limited, Unit 5a, Commercial Yard, Settle, North Yorkshire, BD24 9RH

5.2 Description axial fans (AXC, AXR, AXS, AXCP, AXCPV)

- In B3 conventional motors, the motor bracket is made from galvanized steel sheet. B30 “pad mounted” motors are fitted in the housing via threaded rods or a welded motor support.
- The motor with impeller is mounted to a sturdy supporting structure made of galvanized steel sheet.

5.2.1 Construction



1	Motor	3	Terminal box	5	Mounting feet
2	Impeller	4	Housing	6	Motor brackets
				7	Guide vane only available at AXCPV

5.2.2 Types

Table 3 Constructive features

Type	Constructive features
AXC/AXCP/AXCPV	As a default, the fans are provided in protection class IP55, ISO F.
AXS	Special fans for marine, oil and gas applications.
AXC...-G/AXCP...-G	Fans constructed as garage version. Arrangement of two fans in series, switched behind one another.
AXR	The conveying direction can be reversed by switching the direction of rotation.
AXC...(K)/AXR...(K)	As a default, the fans are provided in protection class IP54/55, ISO H. The connection wire from the motor to the terminal box is protected via an additional flexible metal hose. The standard motors (400 V type B3) are without motor protection.
AXC...(B)/AXR...(B)/AXCP...(B)/AXCPV...(B)	As a default, the fans are provided in protection class IP54/55, ISO H. The connection wire from the motor to the terminal box is protected via an additional flexible metal hose. The standard motors (400 V type B3) are without motor protection.
AXC...(F)/AXR...(F)	As a default, the fans are provided in protection class IP54/55, ISO H. The connection wire from the motor to the terminal box is protected via an additional flexible metal hose. The standard motors (400 V type B30) are without motor protection.

Table 4 Possible Combinations

AXC...-B/AXCP...-B	Axial fan, inside a sound-insulated box
AXC...-G/AXCP...-G	Axial fan, 2 fans connected in series (2-stage)

| 007

systemair

Get In Touch

Call: 0845 6880112
 Email: info@adremit.co.uk

Our Address

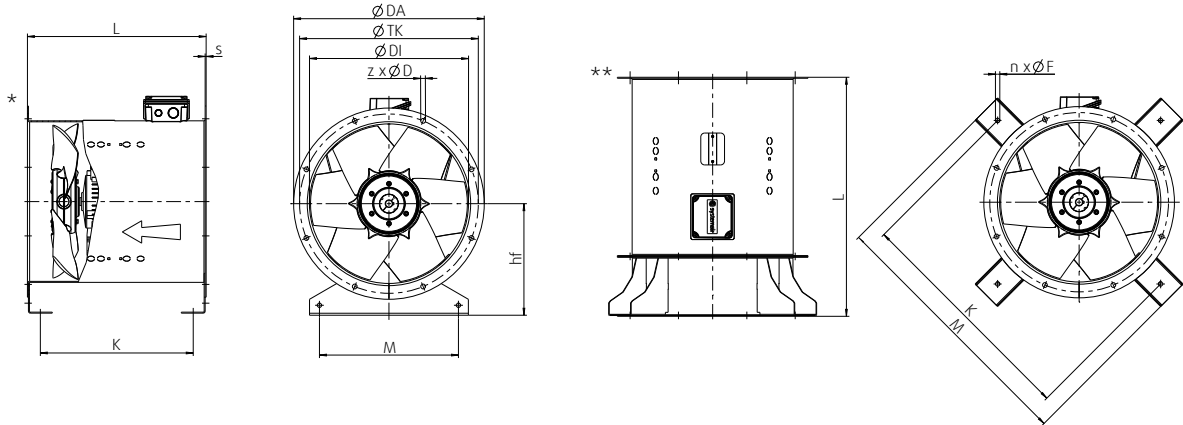
Puravent, Adremit Limited, Unit 5a, Commercial Yard,
 Settle, North Yorkshire, BD24 9RH

Possible Combinations cont'd

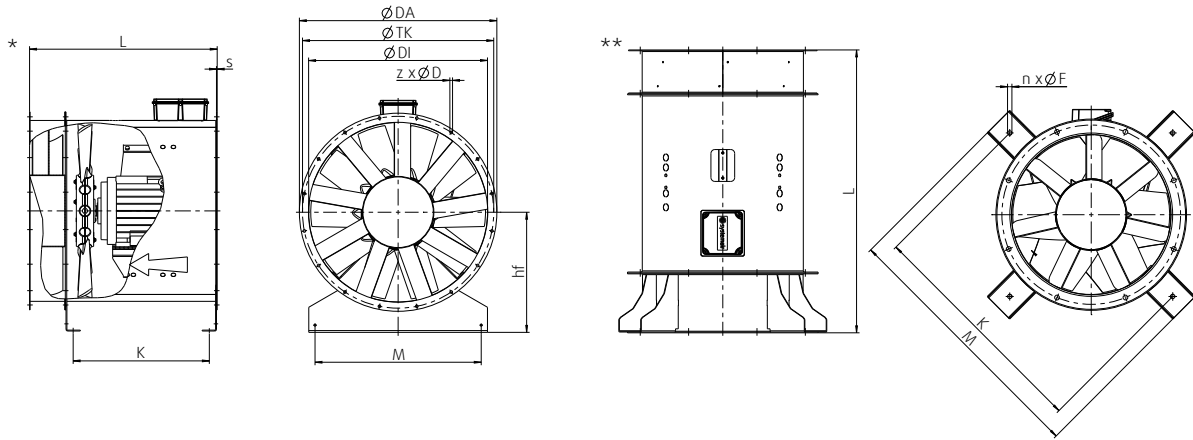
AXC...-G-B/AXCP...-G-B	Axial fan, 2 fans connected in series (2-stage) inside a sound-isolated box
AXC...(B)-B/AXCP...(B)-B/AXC...(F)-B/AXCP...(F)-B	Smoke extraction axial fan in sound-isolated box
AXC...(B)-G/AXCP...(B)-G/AXC...(F)-G/AXCP...(F)-G	Smoke extraction axial fan, 2 fans connected in series (2-stage)
AXC...(B)-G-B/AXCP...(B)-G-B/AXC...(F)-G-B/AXCP...(F)-G-B	Smoke extraction axial fan, 2 fans connected in series (2-stage) inside a sound-isolated box

Table 5 Dimensions AXCP, AXCPV

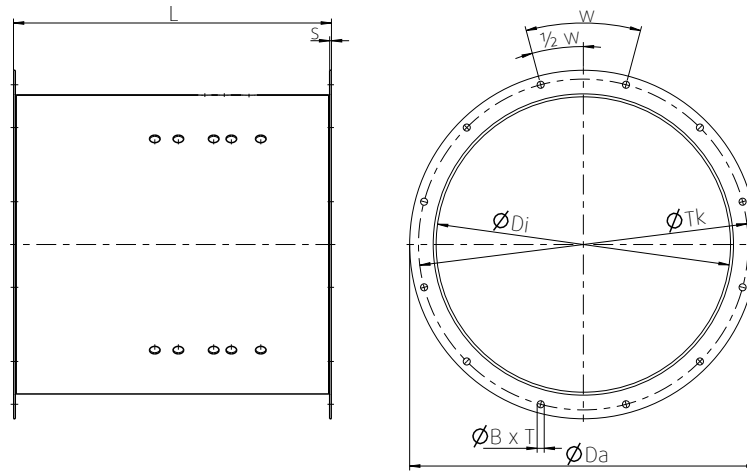
AXCP



AXCPV



[mm]					*Air direction: S					**Air direction: SO/SU			
Size	Ø Da	Ø Di	z x Ød	s	hF	Ø TK	M	L	K	K	M	L	n x Ø dF
AXCPV 315	395	315	8 x 10	2.5	225	355	265	550	360	355	575	700	4 x 11
AXCP 315	395	315	8 x 10	2.5	225	355	265	425	360	355	495	575	4 x 11
AXCPV 355	435	355	8 x 10	2.5	250	395	305	550	360	395	615	700	4 x 11
AXCP 355	435	355	8 x 10	2.5	250	395	305	425	360	395	615	575	4 x 11
AXCPV 400	480	400	8 x 12	2.5	280	450	350	575	385	450	660	725	4 x 11
AXCP 400	480	400	8 x 12	2.5	280	450	350	450	385	450	660	600	4 x 11
AXCPV 450	530	450	8 x 12	2.5	315	500	400	625	360	500	710	774	4 x 11
AXCP 450	530	450	8 x 12	2.5	315	500	400	500	435	500	710	650	4 x 11
AXCPV 500	590	500	12 x 12	3.0	335	560	440	665	464	560	776	815	12 x 12
AXCP 500	590	500	12 x 12	3.0	335	560	440	540	464	560	776	690	4 x 11

Table 6 Dimensions AXC, AXR


Size	Motor size B3/IEC	Motor size B30/IEC	$\text{Ø} D_i$ [mm]	$\text{Ø} D_a$ [mm]	$\text{Ø} T_k$ [mm]	L [mm]	S [mm]	W	$\text{Ø} B$ [mm]	T
315	71/80/90	80/90	315	395	355	375	2.5	45°	10	8
355	71/80/90	80/90	355	435	395	375	2.5	45°	10	8
400	71/80/90/100	80/90/100	400	480	450	450	2.5	45°	12	8
450	71/80/90/100/112	80/90/100/112	450	530	500	500	2.5	45°	12	8
500	71/80/90/100/112/ 132	80/90/100/112/ 132	500	590	560	540	3.0	30°	12	12
560	80/90/100/112	80/90/100/112	560	650	620	500	3.0	30°	12	12
560	132/160	132/160/180	560	650	620	750	3.0	30°	12	12
630	80/90/100/112	80/90/100/112	630	720	690	500	3.0	30°	12	12
630	132/160	132/160/180	630	720	690	750	3.0	30°	12	12
710	80/90/100/112	80/90/100/112	710	800	770	500	3.0	22.5°	12	16
710	132/160M	132/160	710	800	770	700	3.0	22.5°	12	16
710	160L/180	160/180/200	710	800	770	800	4.0	22.5°	12	16
800	90/100/112	90/100/112	800	800	860	500	3.0	22.5°	12	16
800	132/160	132/160	800	890	860	700	3.0	22.5°	12	16
900	100/112/132	100/112/132	900	1005	970	640	4.0	22.5°	15	16
900	160/180/20	160/180/200	900	1005	970	850	4.0	22.5°	15	16
1000	100/112/132	100/112/132	1000	1105	1070	640	4.0	22.5°	15	16
1000	160/180/200	160/180/200	1000	1105	1070	850	4.0	22.5°	15	16
1120	132/160	132/160/180	1120	1260	1190	700	4.0	18.0°	15	20
1120	180/200/220/250	200/225/250	1120	1260	1190	1000	5.0	18.0°	15	20
1250	132/160/180/200	132/160/180/200	1250	1390	1320	850	5.0	18.0°	15	20
1250	225/250/280M	225/250/280	1250	1390	1320	1050	6.0	18.0°	15	20
1400	160/180/200/225	160/180/200/225	1400	1540	1470	950	5.0	18.0°	15	20
1400	250/280/315	250/280	1400	1540	1470	1360	6.0	18.0°	15	20
1600	160/180/200/225	160/180/200/225	1600	1740	1680	950	5.0	15.0°	19	24
1600	250/280/315	250/280	1600	1740	1680	1360	6.0	15.0°	19	24

Get In Touch

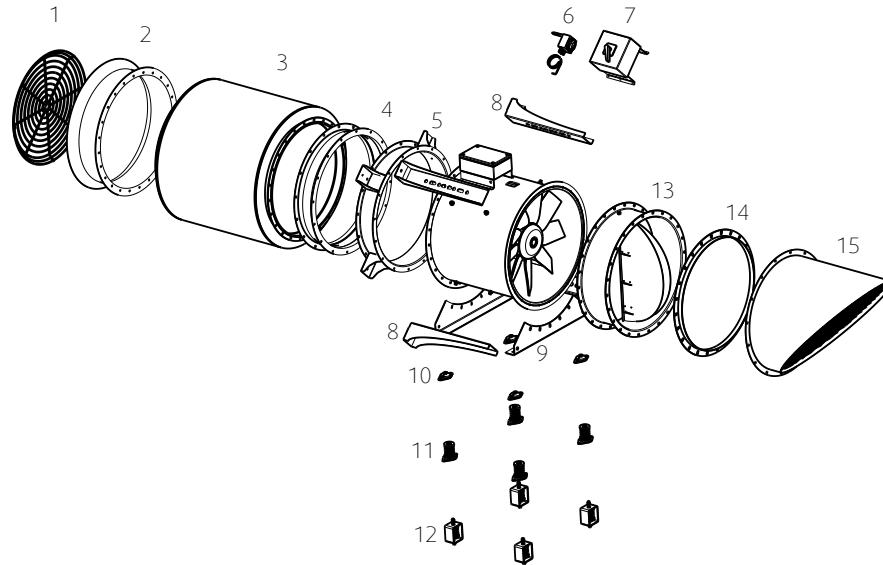
Call: 0845 6880112
 Email: info@adremit.co.uk

Our Address

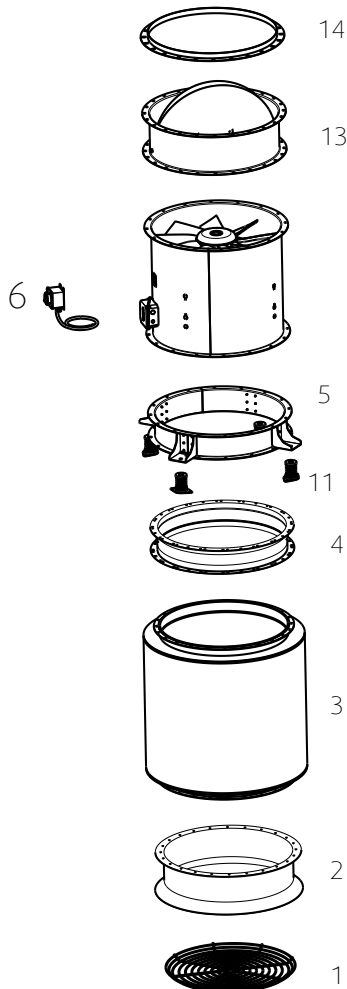
Puravent, Adremit Limited, Unit 5a, Commercial Yard,
 Settle, North Yorkshire, BD24 9RH

5.2.3 Accessories

Horizontal installation



Vertical Installation



1	SG	Protection guard
2	ESD-F	Inlet cone
3	RSA	Silencer
4	EV, EVH (F400)	Flexible connection
5	MPR	Mounting ring from size 315 to 1000
6	REV (60°C)	Isolator switch
7	REV (fire rated)	Isolator switch
8	MP	Mounting bracket from size 1120
9	MFA	Mounting foot
10	SD	Rubber anti-vibration mounts
11	FSD	Spring anti-vibration mounts
12	ZSD	Suspension spring anti-vibration mounts
13	LRK	Air operated damper
14	GFL	Counter flange
15	ABS	Outlet cowl



Note:

Some accessories are also available for jet fans and AXCBF, please check our online catalogue or contact Systemair.

Get In Touch

Call: 0845 6880112
 Email: info@adremit.co.uk

Our Address

Puravent, Adremit Limited, Unit 5a, Commercial Yard, Settle, North Yorkshire, BD24 9RH



5.3 Description Jet fans

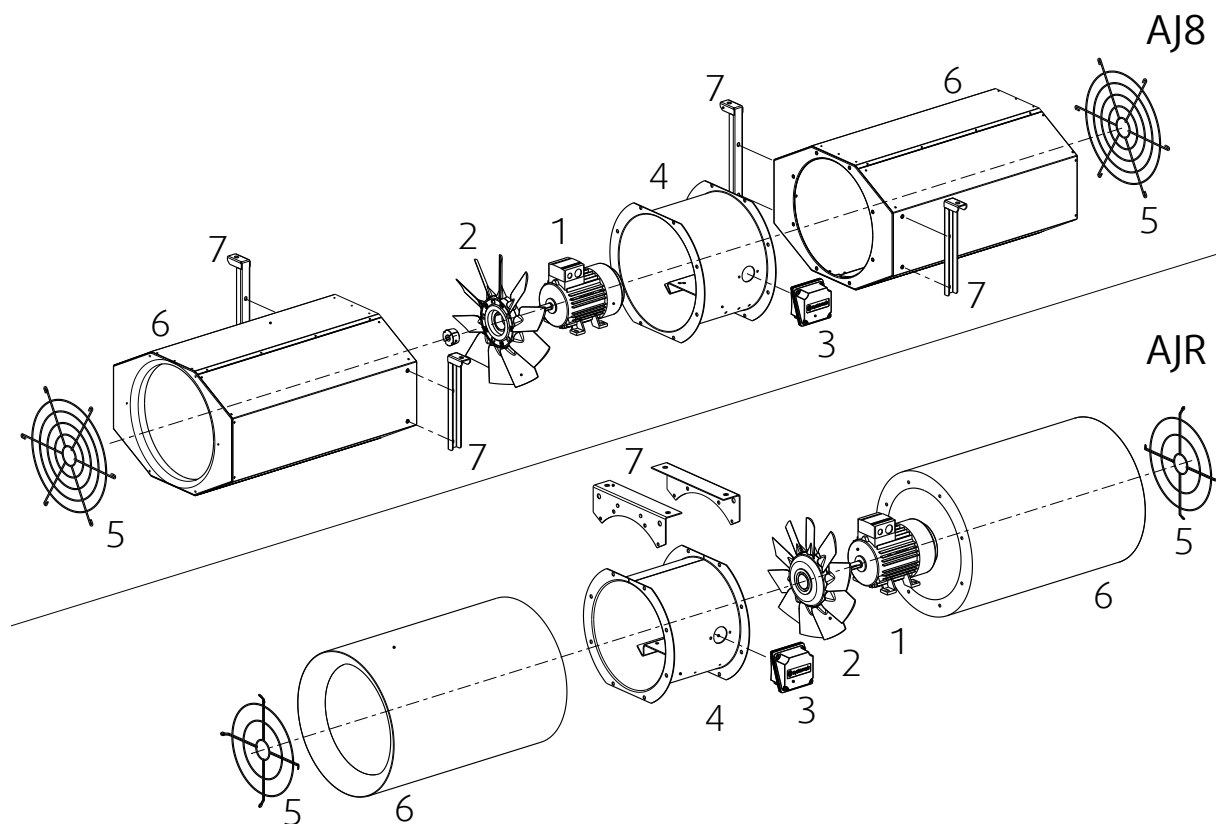
5.3.1 Description AJR/AJ8

- In B3 conventional motors, the motor bracket is made from galvanized steel sheet. B30 “pad mounted” motors are fitted in the housing via threaded rods or a welded motor support.
- The fan conveys air in an axial direction from the intake side via the electric motor to the outlet side.
- The silencers are equipped with protection grille made of galvanized steel.
- The acoustic insulation is non-flammable in accordance with DIN 4102 as described in directive 97/69 EC.

Table 7 Constructive features

AJR/AJ8	As a default, the fans are provided in protection class IP55, ISO F.
AJR...(K)/AJ8...(K)/AJR...(B)/AJ8...(B)/AJR...(F)/AJ8...(F)	As a default, the fans are provided in protection class IP54/55, ISO H. The wiring from the motor to the terminal box is protected via an additional flexible metal hose. The standard motors (400 V type B3) are without motor protection.

5.3.1.1 Construction



- | | | |
|----------------|--------------------|--------------------|
| 1 Motor | 4 Housing | 7 Mounting bracket |
| 2 Impeller | 5 Protective guard | |
| 3 Terminal box | 6 Silencer | |

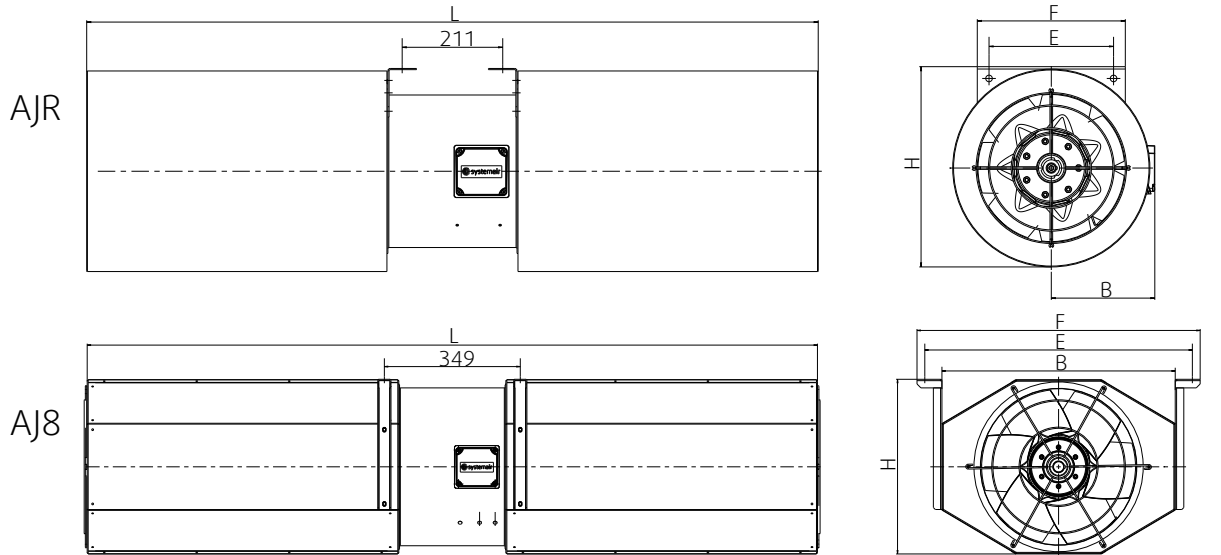
Get In Touch

- Call: 0845 6880112
 Email: info@adremit.co.uk

Our Address

Puravent, Adremit Limited, Unit 5a, Commercial Yard, Settle, North Yorkshire, BD24 9RH

Table 8 Dimensions AJ8, AJR



Size	H [mm]	B [mm]	E [mm]	F [mm]	L [mm]
AJ8 315 (B), (F)	365	550	635	678	1535
AJ8 355 (B), (F)	395	550	635	678	1695
AJ8 400 (B), (F)	445	600	684	727	1875
ARJ 315 (B), (F)	365	223	265	433	1535
ARJ 355 (B), (F)	465	243	305	473	1695
ARJ 400 (B), (F)	505	266	350	516	1875

Get In Touch

Call: [0845 6880112](tel:08456880112)
Email: info@adremit.co.uk

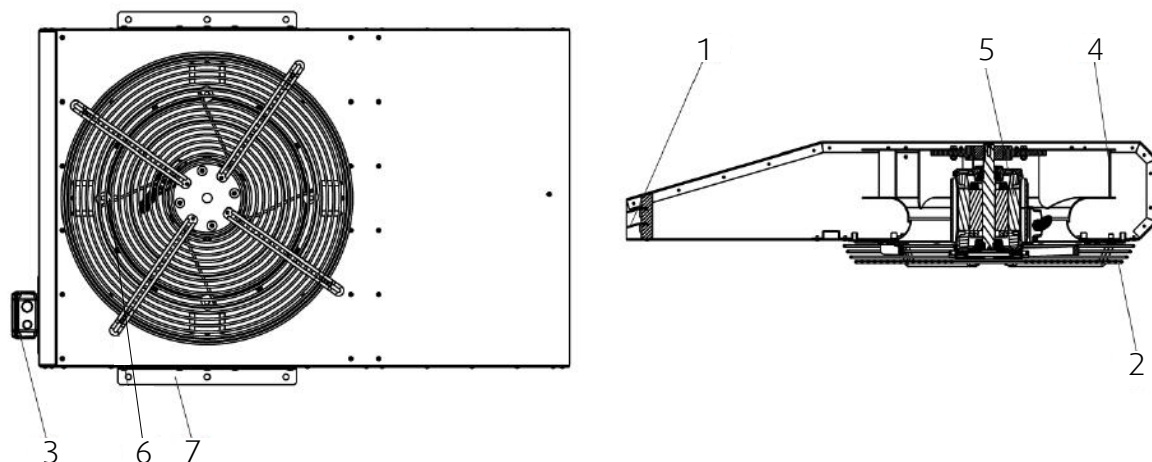
Our Address

Puravent, Adremit Limited, Unit 5a, Commercial Yard,
 Settle, North Yorkshire, BD24 9RH

5.3.2 Description IV fan

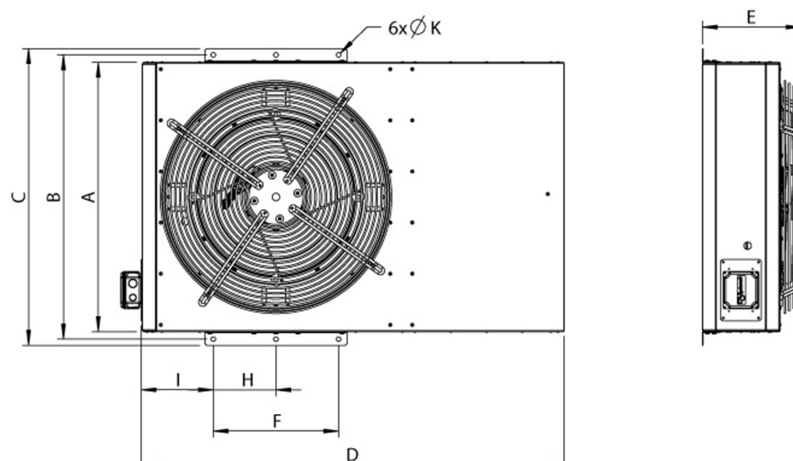
The induction fan is equipped with a radial fan with revision switch (optional).

5.3.2.1 Construction



- | | | | | | |
|---|----------------------|---|----------|---|---------------|
| 1 | Integrated deflector | 4 | Impeller | 6 | Motor bracket |
| 2 | Safety guard | 5 | Motor | 7 | Fastener |
| 3 | Terminal box | | | | |

Table 9 Dimensions IV



[mm]	A	B	C	D	E	F	H	I	6xØK
IV 50	790	834	870	1248	285	370	185	210	13.5
IV 85	1140	1184	1220	1900	340	420	210	230	13.5

Get In Touch

Call: [0845 6880112](tel:08456880112)
 Email: info@adremit.co.uk

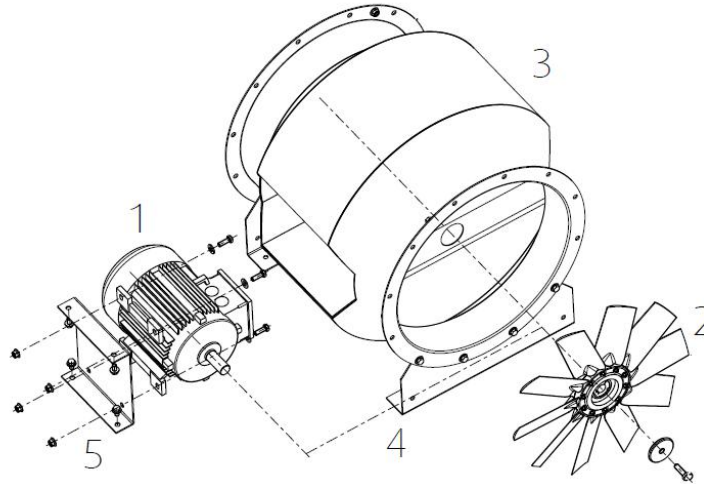
Our Address

Puravent, Adremit Limited, Unit 5a, Commercial Yard,
Settle, North Yorkshire, BD24 9RH

5.4 Description AXCBF

Directly powered axial fan with motor outside the air flow. The fan can be run in permanent operation up to a conveying media temperature of 200°C. Maximum ambient temperature 55°C. Housing flanges on both sides with bores according to eurovent 1/2 standard. B3 conventional motors with add-on terminal box.

5.4.1 Construction



- | | | | | | |
|---|----------|---|---------------|---|---------------|
| 1 | Motor | 3 | Housing | 5 | Motor bracket |
| 2 | Impeller | 4 | Mounting feet | | |

Table 10 Dimensions

Size	Size 250 – 500				Size 630 – 800		
	A [mm]	Ø B [mm]	Ø C [mm]	Ø D [mm]	Ø F [mm]	Ø H [mm]	I
AXCBF 250	535	448	328	250	280	10	4x90°
AXCBF 315	535	452	385	320	355	10	8x45°
AXCBF 400	625	585	480	401	450	10	8x45°
AXCBF 500	660	695	590	504	560	12	12x30°
AXCBF 630	790	728	634	-	690	12	12x30°
AXCBF 800	880	890	797	-	860	12	16x22.5°

5.5 Intended use

All axial fans

- The data on the name plate of the fan apply to "standard air" according to ISO 5801.
- The temperature of the air transported through the fan must not exceed the temperature range stated on the name plate.
- For the temperature resistance of the smoke extraction fans (K), (B), (F), which can also be used to extract CO, please refer to the name plate (e.g. 300°C/120 min).

Jet fans

- The model AJ8, AJR and IV jet fans are intended for installation in underground and above-ground parking structures, to facilitate ventilation and smoke extraction (K), (B), (F).
- For optimum operation, the jet fan must be suspended horizontally from the ceiling in such a position that intake and outlet are unobstructed.

Axial fans



- The axial fans of the series AXC/AXR/AXCBF in the versions G (K), (B), (F) are intended for installation in ventilation systems.
- The axial fans of the series AXC/AXR/AXCBF are ready-to-use products and are used as components for ventilation devices, machines and systems. These fans can be used to extract, draw in or convey air.
- The fans can be installed both in duct systems and also with free suction via an inlet cone and a suction-side contact protection grille. Free discharge via a contact protection grille is also possible.

5.6 Incorrect use

Incorrect use refers mainly to using the fan in another way to that described. The following examples are incorrect and hazardous:

- The fan is not suitable for intake of aggressive media or media with a dust content so high that dust deposits on the impeller or fan housing can affect the operation of the fan.
- The fan must not be installed in hazardous areas (areas with a potentially explosive atmosphere).
- The motors cannot be voltage controlled.

Get In Touch

-  **Call:** [0845 6880112](tel:08456880112)
 **Email:** info@adremit.co.uk

Our Address

Puravent, Adremit Limited, Unit 5a, Commercial Yard,
Settle, North Yorkshire, BD24 9RH

6 Name plate and type key

Table 11 Type key

AXC	400	-7	/10°*	-2*	(-)(K), (B), (F)	-*	-**	
								TR – Reversible No sign – Uni-directional
								-G – 2 fans in series -B – Axial fan with insulated box -A – Low pressure impeller -P – Axial fan with wall plate
								Temperature- Time information (smoke extraction fan), see 5.1.2 <i>Temperature types</i> , page 4
								Number of poles
								Blade angle
								Number of blades
								Nominal diameter of the fan
								AXC Axial fan AXR Axial fan – reversible AXS Axial fan –ship AXCP Axial fan – plus AXCPV Axial fan – plus – (guide) vane AJR Circular jet fan AJ8 Octagonal jet fan

*only AXC and AJ // **only AJR and AJ8

Table 12 AXCBF Type key

AXCBF	500-	D2	20°	IE2
Axial fan bifurcated	Nominal diameter of the fan	3-phase motor 2-pole	Blade angle	International efficiency

Table 13 IV Type key

IV	50-	4	-
Induction fan	Thrust 50N	Number of poles	Temperature- Time information (smoke extraction fan), see 5.1.2 <i>Temperature types</i> , page 4

7 Installation

7.1 Safety information

Danger: Risk that the fan does not work in case of fire.

- ◆ Use installation material with fire resistance classes that meet temperature requirements.

Warning: Danger from falling fan or fan parts.

- ◆ Check the surface before installation for load bearing capacity.
- ◆ Consider all static and dynamic loads when selecting hoisting equipment and fastening components.
- ◆ Tighten all screw-type connections according to the data, see Table 14 *Tightening torques according to DIN 13*, page 16.

General safety information

- ◆ Installation may only be carried out by adequately qualified persons, details see Table 1 *Qualifications*, page 2.
- ◆ Move the impeller of the fan by hand before you install it in order to check whether that moves freely.
- ◆ Prevent the possibility of foreign bodies being drawn in.
- ◆ To reduce transmission of vibration to the duct system, we recommend flexible connections from our accessory range, see 5.2.3 *Accessories*, page 8.
- ◆ Bear in mind that parts of the impeller may protrude out of the fan housing.

7.2 Preconditions

- ◆ Ensure that the fan and all its components are undamaged.
- ◆ Ensure that there is enough space to install the fan.
- ◆ Protect against dust and moisture when installing.
- ◆ Ensure that the information on the name plates (fan and motor) matches up with the operating conditions.
- ◆ Fit the fans in such a way that there is sufficient access for troubleshooting, maintenance and repair.

7.3 Tests after long storage time (more than 12 months)



Note:

We recommend an inspection by the after-sales service of Systemair before commissioning.

Test the motor windings:

- ◆ Measure the insulation resistance of each motor winding against grounding at 500 V DC. The insulation resistance must be > 10 mΩ.

Measures for an insulation resistance < 10 mΩ:

1. If the motor has drain plugs, remove them to allow any moisture to drain and replace them when the motor windings are suitably dry.

Get In Touch

- Call: 0845 6880112
 Email: info@adremit.co.uk

Our Address

Puravent, Adremit Limited, Unit 5a, Commercial Yard, Settle, North Yorkshire, BD24 9RH

2. Dry the motor in a warm dry airflow (typically 40 degrees Celsius).
3. Measure the insulation resistance of each motor winding against grounding at 500 V DC.
4. Repeat the aforementioned steps until the measurement outcome > 10 mΩ.

7.4 Tightening torques of screw-type connections according to DIN 13

Table 14 Tightening torques according to DIN 13

Screw size	Key width	6.9 M [Nm]	8.8 M [Nm]	10.9 M [Nm]	12.9 M [Nm]	Aluminium hubs [Nm]
M6	10	9	10	15	18	8
M7	11+12	14	17	25	28	14
M8	13+14	22	26	35	42	21
M10	15+17	42	50	71	85	40
M12	19+21	74	87	123	147	70
M14	22+23	117	138	194	235	110
M16	24+26	178	210	299	358	159
M18	27	245	289	412	490	231
M20	30	348	412	579	696	330
M22	32	471	559	785	941	447
M24	36	598	711	1000	1196	569
M27	41	888	1049	1481	1775	839
M30	46	1206	1422	2010	2403	1138
M33	50	1628	1932	2716	3266	1546
M36	55	2099	2481	3491	4197	1985
M39	60	2716	3226	4531	5443	2581
M42	65	3364	3991	5609	6727	3193

7.5 Mounting feet

Depending on the kind of fan and the construction size, mounting feet are either included in the delivery or available as accessories. If you are not sure, check the online catalogue or contact Systemair.

7.6 Avoid resonance frequencies

Important

Risk of damage to the fan due to resonance frequencies

- ◆ The minimum fan speed should be double the resonance frequency of the anti-vibration system (vibration dampers).
- ◆ To avoid resonance frequencies, see 8.4 *Frequency converter (if used)*, page 24.

7.7 Vibration dampers

Important

Risk of damage to the fan due to incorrect vibration dampers

- ◆ Use the vibration dampers suitable for the respective weight.
- ◆ Use the vibration dampers with fire resistance classes that match the respective application.

7.7.1 Syldyn vibration kit (if used)

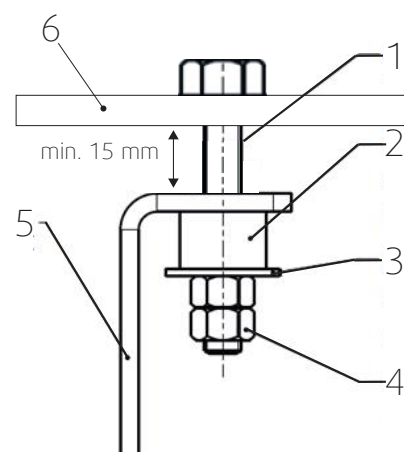
The responsibility for the Syldyn vibration kit installation is with the buyer/installer.

Important

Risk of damage to the fan due to incorrect installed vibration dampers

- ◆ The fan shall rest entirely on the sylodyn anti vibration blocks. It is important that the fan is not pressed against the mounting frame, therefore the minimum distance of 15 mm has to be kept, see following picture.

1	Hexagonal head set screw	
2	Sylodyn anti vibration block	Available as Systemair accessory with a hole Ø 16mm
3	Safety plate	Available as Systemair accessory with a hole Ø 16mm
4	Hexagonal nut	
5	Mounting foot	
6	Mounting frame	



7.8 Lifting and positioning

The weight of the fan units varies depending on the motor size and accessories. As a result, the fan unit can also be very bulky and heavy. You can find precise information on the name plate or the data sheet.



Caution

Risk of parts falling down

- ◆ When fitting the fan, pay attention to its weight and the weight of the components.

Lifting

- ◆ Lift the fan unit slowly and carefully.
- ◆ Use hoisting gear permitted for the weight of the fan.
- ◆ Attach the hoisting equipment to flanges and foot bores or at the marked places.
- ◆ Use transport equipment (e.g. lifting eyes) if available.
- ◆ Please observe the marking "oben/top" on the fan.

Anchor

- ◆ Use suitable fittings.
- ◆ Screw the fittings with the correct tightening torques, see Table 14 *Tightening torques according to DIN 13*, page 16
- ◆ If you are not sure, contact Systemair.

Positioning

- ◆ Observe the arrows on the name plate or the housing of the fan. They show the direction of rotation and air flow.
- ◆ Position the fan unit so that it is standing in the planned direction of flow.
- ◆ Provide enough free space for inspection and maintenance work on the fan unit.

Get In Touch

- Call: 0845 6880112
- Email: info@adremit.co.uk

Our Address

Puravent, Adremit Limited, Unit 5a, Commercial Yard,
Settle, North Yorkshire, BD24 9RH

7.9 Installation positions

- ◆ Consider below guideline for installation positions.



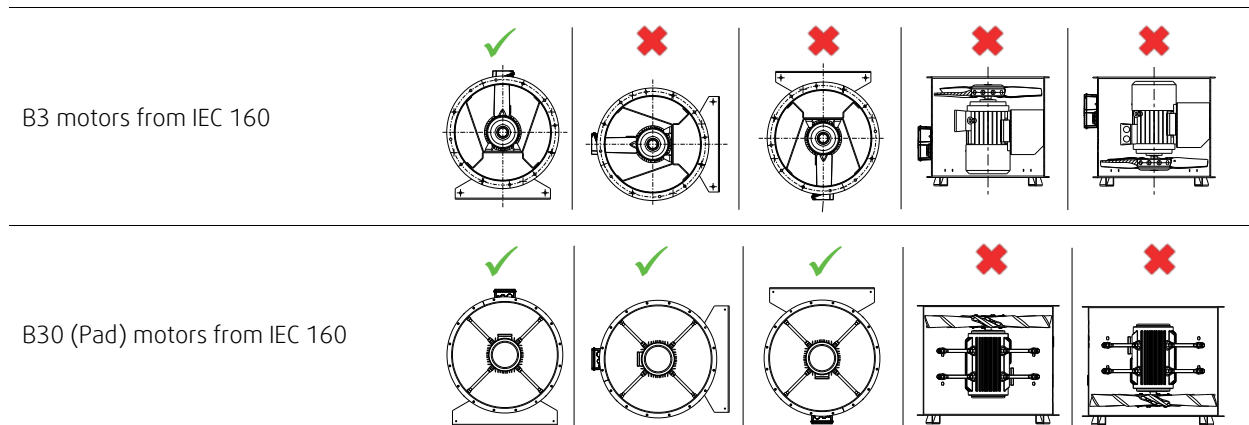
Note:

- Order process (Systemair configurator): If the type of installation is e.g. "SO" (vertical installation, \geq IEC 160), a suitable motor is automatically used (in this case with different bearings).
- Please contact Systemair if a position marked with a "red-cross" is required for an existing fan.

Fans equipped with

- B3 and B30 (Pad) motors up to IEC 132
- AXCPV

The installation is possible in any mounting position.



7.9.1 Installation of the ventilation system

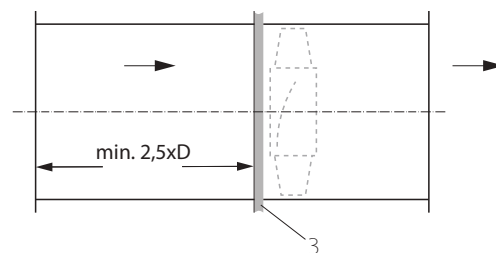
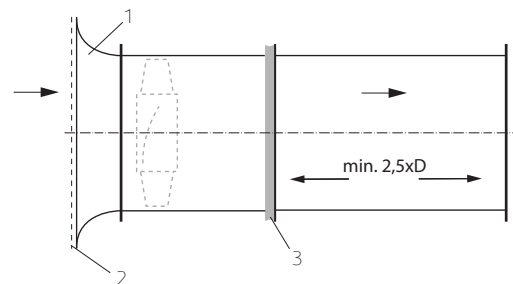
7.9.1.1 Preconditions

- ◆ The air flow of the fan must be able to open the air operated damper (LRK).

7.9.1.2 Installation duct

- ◆ Do not place a duct bend directly before or after the fan.
 - This can cause damage to the bearings or other parts of the fan.
 - The duty point may not be reachable.
 - The fan may make noise.
- ◆ Ensure a direct, smooth and constant air flow to the device. Ensure a free exhaust, see the following pictures.
- ◆ Install an inlet cone or a channel section with a length of at least $2.5 \times D$
- ◆ To reduce transmission of vibration to the duct system, we recommend flexible connections from our accessory range, see 5.2.3 *Accessories*, page 8.

D = nominal diameter

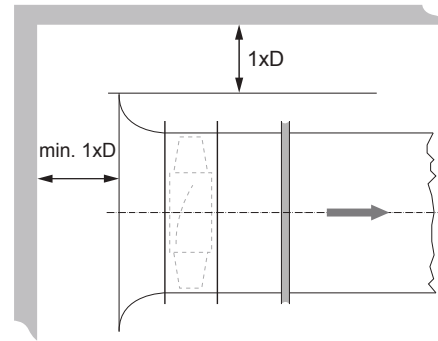


1 Inlet cone 2 Protective guard 3 Flexible connection

7.9.2 Distance from the wall/ceiling

- ◆ Ensure enough distance between the ceiling and the wall.
- The duty point may not be reachable.
- The fan may make noise.

If the minimal distances are not possible for construction reasons, install a deflector in front of the fan in a way that ensures a direct, smooth and constant flow of air. Contact with rotating parts must be ruled out at all times – either by ducts of a corresponding length or by protective grids.
D = Nominal diameter



7.9.3 Installation of flexible connections

Important

Increasing noise emission

- ◆ Do not install the flexible connections at an angle.

Note:

When fitting the flexible connections, make sure that they are fitted according to the installation length (Table 15 Flexible connections – Installation length, page 19), without compression or tensile strain. They must not be used to compensate any lack of precision in the assembly.

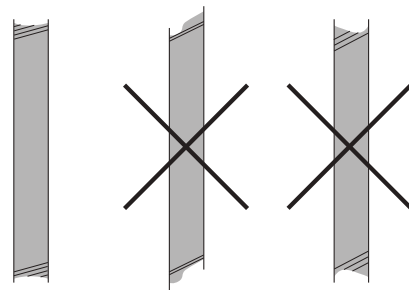
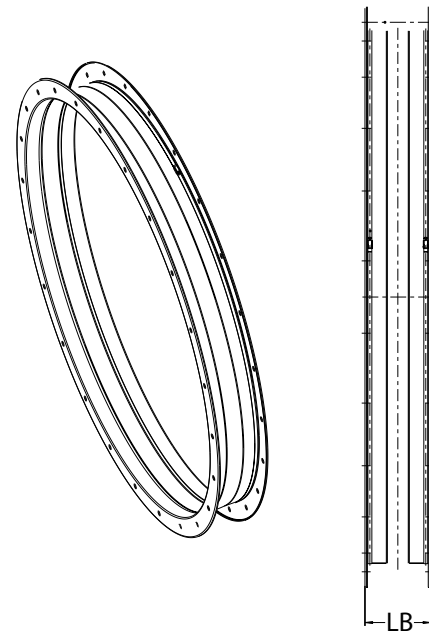


Table 15 Flexible connections – Installation length

Size	EV (-25...70°C)		EVH (400°C/2h)	
	LB full length [mm]	LE Installation length [mm]	LB Overall length [mm]	LE Installation length [mm]
315	157 (+/-5)	LB – 10	147 (+/-5)	LB – 10
355	157 (+/-5)	LB – 10	147 (+/-5)	LB – 10
400	157 (+/-5)	LB – 10	147 (+/-5)	LB – 10
450	157 (+/-5)	LB – 10	147 (+/-5)	LB – 10
500	157 (+/-5)	LB – 10	147 (+/-5)	LB – 10
560	157 (+/-5)	LB – 10	147 (+/-5)	LB – 10
630	157 (+/-5)	LB – 10	147 (+/-5)	LB – 10
710	157 (+/-5)	LB – 10	147 (+/-5)	LB – 10
800	157 (+/-5)	LB – 10	147 (+/-5)	LB – 10
900	157 (+/-5)	LB – 10	147 (+/-5)	LB – 10
1000	157 (+/-5)	LB – 10	147 (+/-5)	LB – 10
1120	157 (+/-5)	LB – 15	147 (+/-5)	LB – 15
1250	157 (+/-5)	LB – 15	147 (+/-5)	LB – 15
1400	157 (+/-5)	LB – 15	200 (+/-5)	LB – 15
1600	157 (+/-5)	LB – 15	200 (+/-5)	LB – 15



Get In Touch

Call: 0845 6880112
Email: info@adremit.co.uk

Our Address

Puravent, Adremit Limited, Unit 5a, Commercial Yard, Settle, North Yorkshire, BD24 9RH

7.9.4 Installation silencer

- ◆ Ensure correct installation of the silencer.
 - This can cause damage to the bearings or other parts of the fan.
 - The duty point may not be reachable.
 - The fan may make noise.
- ◆ Ensure a direct, smooth and constant air flow to the device. Ensure a free exhaust, see the following pictures.
- ◆ To reduce transmission of vibration to the duct system, we recommend flexible connections from our accessory range, see 5.2.3 *Accessories*, page 8.

1	Plenum box with perforated sheet (flow straightener)	not available as Systemair accessory	
2	Deflector with inner core	not available as Systemair accessory	
3	Baffles	not available as Systemair accessory	
4	Flexible connection	available as Systemair accessory	
5	Flexible connection	available as Systemair accessory	
6	Inlet cone	available as Systemair accessory	

7.9.5 Special points of installation

Type	Special points for assembly
AXC (B), (K), (F) AXR (B), (K), (F) AXCP (B), (F) AXCPV (B), (F)	Smoke exhaust fans are suitable for installation inside or outside a smoke reservoir, as well as outdoors. If positioned outside the smoke reservoir, but still inside the building, the fan must be provided with heat insulation by the customer. The heat insulation must be provided with fire proof material L120 according to DIN 4102-4.

7.9.6 Air gap

Ensure that the air gap between the housing and the impeller is complied with.

- ◆ Contact Systemair
- ◆ Check if the air gap complies with the table.
- ◆ Do not install the fan if the gap in the table below is not complied with.

Table 16 Air gap AXC/AXR/AXS/AXCP/AXCPV

Nominal width	Housing tolerance	AXC/AXR/AXS/AXCP/AXCPV (Standard temperature)		
		Impeller Ø	Impeller Ø	Impeller Ø
315	+/- 1mm	312 mm	310 mm	306 mm
355	+/- 1mm	352 mm	350 mm	346 mm
400	+/- 1mm	397 mm	395 mm	391 mm
450	+/- 1mm	445 mm	443 mm	440 mm
500	+/- 1mm	495 mm	493 mm	489 mm
560	+/- 1mm	555 mm	551 mm	547 mm
630	+/- 1mm	625 mm	621 mm	615 mm
710	+/- 1mm	705 mm	701 mm	695 mm
800	+/- 1mm	795 mm	789 mm	783 mm
900	+/- 1mm	895 mm	889 mm	881 mm
1000	+/- 2mm	992 mm	988 mm	978 mm
1120	+/- 2mm	1112 mm	1105 mm	1095 mm
1250	+/- 2mm	1242 mm	1234 mm	1223 mm
1400	+/- 2mm	1386 mm	1383 mm	1370 mm
1600	+/- 3mm	1583 mm	1581 mm	1567 mm

7.10 Installation jet fans AJR, AJ8 and IV

Always install in a horizontal position.

7.10.1 Air gap



Ensure that the air gap between the housing and the impeller is complied with.

- ◆ Contact Systemair
- ◆ Check if the air gap complies with the table.
- ◆ Do not install the fan if the gap in the table below is not complied with.

Table 17 Air gap

Nominal width	Housing tolerance	AJR/AJ8 (Standard temperature)		
		Impeller Ø	Impeller Ø	Impeller Ø
315	+/- 1 mm	312 mm	310 mm	306 mm
355	+/- 1 mm	352 mm	350 mm	346 mm
400	+/- 1 mm	397 mm	395 mm	391 mm

Get In Touch

 **Call:** 0845 6880112
 **Email:** info@adremit.co.uk

Our Address

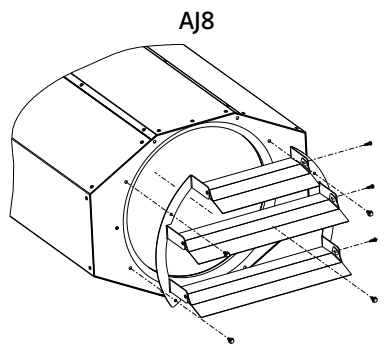
Puravent, Adremit Limited, Unit 5a, Commercial Yard,
Settle, North Yorkshire, BD24 9RH

7.10.2 Deflector

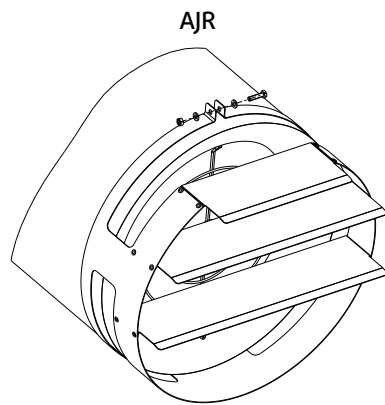
For optimal guidance of the air current, a deflector made of galvanized steel sheet can be mounted on the pressure-side silencer (accessory).

The deflector as accessory for AJR/AJ8 is delivered in a separate package.

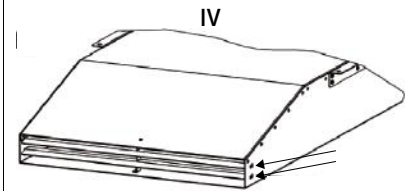
- ◆ Before installing the jet fan, fasten the deflector on the silencer of the pressure side (see arrow).
- ◆ Position the deflector fins so that after fastening the jet fan to the ceiling, the air flow is directed downwards at a 10° angle. It may be possible to readjust the fans afterwards depending on the structures located in the immediate vicinity, such as girders.



Position the fins to the specified angle and secure them with 4.2 x 13 self-drilling screws. Use M4 x 12 self-locking screws to fasten the deflector to the fan.



Fasten the deflector with an M6 x 40 screw, an M6 nut and a Ø6 serrated washer.



Position the fins to specified angle and secure them with 4.2 x 13 self-drilling screws.

8 Electrical connection

8.1 Safety information

Warning: Danger from electrical voltage.

- ◆ Observe the 5 rules of electrical safety, see 2.3 5 rules of electrical safety, page 2.
- ◆ Prevent the ingress of water into the connection box.
- ◆ Electrical connection may only be carried out by adequately qualified persons, details see Table 1 Qualifications, page 2.

8.2 Protecting the motor

Important

Damage to motor due to overcurrent, overload or short circuit.

- ◆ Lead-out temperature monitors must be integrated in the control circuit in such a way that, if a fault occurs, the motor cannot switch on again automatically after it has cooled down.
- ◆ Motor lines and temperature monitor lines should be laid separately on principle.
- ◆ Without thermal protection: Use a motor protection switch!

Table 18 Motor protection

Type	Motor protection	Thermal protection, standard	Speed regulation
AXC,-B,-D,-G,-P, AXS, AXCP, AXCPV	By customer	PTC	Possible via frequency converter
AXC...(B),(F),(K) AXR...(B),(F),(K) AXCP...(B),(F) AXCPV...(B),(F)	By customer- must be bypassed in case of fire	without (PTC optional)	Possible via frequency converter

Motor protection cont'd

AXR	By customer	PTC	Possible via frequency converter
AXCBF	By customer	PTC	Possible via frequency converter
AJ8...(B), (K), (F) AJR...(B), (K), (F)	By customer- must be bypassed in case of fire	without (PTC optional)	Possible via frequency converter
AJ8 AJR	By customer	PTC	Possible via frequency converter

8.3 Connection

- ◆ Check that the data on the name plate matches the connection data.
- ◆ Complete the electrical connection according to the circuit diagram.
- ◆ Use all of the locking screws.
- ◆ Insert the screws by hand to avoid damaging the thread.
- ◆ Tighten all glands well in order to guarantee protection class IP.
- ◆ Screw the lid of the terminal box/inspection switch evenly tight.
- ◆ Connect the cable end in a dry environment!
- ◆ Install a circuit breaker in the permanent electrical installation, with a contact opening of at least 3 mm at each pole.

Protective grounding wire

The protective grounding must have a cross-section equal to or greater than that of the phase conductor.

Residual current circuit breaker

All-current-sensitive residual current circuit breakers are required for use in alternating-current systems with 50/60 Hz, in combination with electronic devices such as EC motors, frequency converters or uninterruptible power supplies (UPS).

Type	Electrical Connection
AXC, AXC...-B,-D,-G AJ8, AJ8...(B), (K), (F) AJR, AJR...(B), (K), (F) AXC, AXC...(B), (K), (F) AXR, AXR...(B), (K), (F) AXS AXCP, AXCP...(B), (F)/ AXCPV/AXCPV (B), (F)	Connection via terminal box. The terminal box is fitted on the outside of the housing.
AXCBF	Connection via terminal box. The terminal box is attached to the motor.

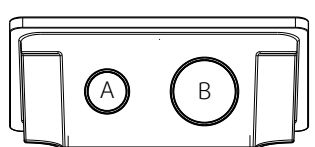
8.3.1 Terminal box

The below terminal boxes are used for fans up to a nominal current of 100 A. If the nominal current exceeds 100A other terminal boxes are used.

AXC, AXR, AXS, AXCP, AXCPV, AJR, AJ8,

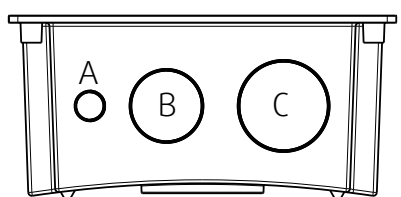
- up to size* 900
- up to 63 A

A: M16x1,5
B: M25x1,5



- from size* 1000
- up to 100 A

A: M16x1,5
B: M40x1,5
C: M50x1,5



*nominal diameter of the fan

Get In Touch

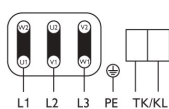
Call: 0845 6880112
Email: info@adremit.co.uk

Our Address

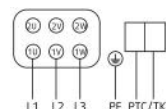
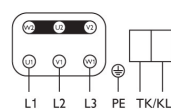
Puravent, Adremit Limited, Unit 5a, Commercial Yard, Settle, North Yorkshire, BD24 9RH



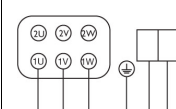
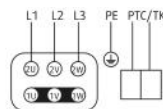
8.3.2 Connection diagrams



3-phase motor with optional thermal contacts or cold conductor.



Dahlander motor with optional thermal contacts or cold conductor.



Motor, 2 windings with optional thermal contacts or cold conductor.

8.4 Frequency converter (if used)

Risk from resonant frequencies when using frequency converter.

- ◆ Only operate the fan outside these speed ranges.
- ◆ Pass through these speed ranges so quickly that any vibration cannot exceed the admissible resonant frequency values.
- ◆ For variable-speed fans, use a permanent vibration monitoring for long-term safe operation.
- ◆ Observe the operating instructions of the frequency converter.

Operation of the frequency converter

- ◆ Heating of the motor due to use of a variable frequency drive must be checked in the application by the customer.
- ◆ Avoid running the fan via the frequency converter below 10 Hz.
- ◆ Starting time: min. 60 sec.

Commissioning of the frequency converter

- ◆ Install the fan and frequency converter as near as possible to one another.
- ◆ Use shielded cables.
- ◆ All components (fan, frequency converter and motor) must be grounded.
- ◆ We recommend using all-pole sinus filters.
- ◆ Never exceed the maximum impeller rotation speed indicated on the name plate of the fan.

9 Commissioning

Warranty claims can only be made if commissioning work is carried out correctly and written evidence thereof is provided.

It is recommended to fill out the commissioning report chapter 16.

9.1 Safety information

- ◆ Commissioning may only be carried out by adequately qualified persons, details see Table 1 *Qualifications*, page 2.

9.2 Preconditions

- ◆ Installation and electrical connection have been correctly performed.
- ◆ Residual material from installation and foreign objects have been removed from the fan and ducts.
- ◆ Inlet and outlet are free.
- ◆ Safety devices have been fitted.
- ◆ Ground cable is connected.
- ◆ Cable glands are tight.
- ◆ Data on the name plate corresponds with the connection data.

9.3 Tests

- ◆ Before switching the fan on, check for externally visible damage and ensure that the protective equipment functions properly.
1. Switch the fan on.
 2. Do the tests requested in the commissioning report ()
 - Speed controllable fans: "Measured data at commissioning" at maximum speed
 3. Switch the fan off.

9.4 Commissioning of speed-controlled fans

Check the fan for vibrations at all normal operation speeds during commissioning. Determine and evaluate vibrations on the housing and bearing areas in accordance with DIN ISO 14694 depending on motor power and positioning.

Measurable vibration velocities depend e.g. on following factors:

- positioning
- bottom section/foundation state
- flow conditions

The working point of the fan, as well as used external devices and accessories, also influence the running characteristics.

9.5 Adjusting the blade angle

If the working point of the fan has to be changed and it is necessary to adjust the blade angle, please contact Systemair!

10 Operation

10.1 Safety information

Warning: Hazard from electrical voltage or moving components.

- ◆ Operation may only be carried out by adequately qualified persons, details see Table 1 *Qualifications*, page 2.

10.2 Preconditions

- ◆ Ensure access only to persons who can safely handle the device.
- ◆ Only use the fan in accordance with the operating instructions and the operating instructions for the motor.

10.3 Speed-controlled fan operation

Please observe 8.4 *Frequency converter (if used)*, page 24.

11 Troubleshooting/maintenance/repair

11.1 Safety information

- ◆ Troubleshooting/maintenance/repair may only be carried out by adequately qualified persons, details see Table 1 *Qualifications*, page 2.
- ◆ Observe the 5 rules of electrical safety, see 2.3 *5 rules of electrical safety*, page 2.
- ◆ The impeller must be at a standstill.

11.2 Troubleshooting

Table 19 Troubleshooting

Problem	Possible causes	Corrective actions
Fan does not run smoothly	Impeller imbalance	Rebalancing by a specialist company if possible, otherwise contact Systemair.
	Soiling on the impeller	Clean carefully, rebalance
	Material decomposition on the impeller due to aggressive material conveyed.	Contact Systemair
	Impeller rotates in wrong direction.	Change direction of rotation (swap two phases in case of a 3-phase motor)
	Deformation of impeller due to excessive temperature.	Ensure that the temperature does not exceed the certified value/Install new impeller.
	Fan operation in resonant frequency range	Consider chapter 8.4 <i>Frequency converter (if used)</i> , page 24

| 007



Get In Touch

- Call: 0845 6880112
- Email: info@adremit.co.uk

Our Address

Puravent, Adremit Limited, Unit 5a, Commercial Yard, Settle, North Yorkshire, BD24 9RH



Troubleshooting cont'd

Air output of fan too low	Impeller rotates in wrong direction.	Change direction of rotation (swap two phases in case of a 3-phase motor)
	Wrong wiring configuration (e.g. Y instead of Delta).	Check and possibly correct the wiring configuration.
	Intake or pressure paths are blocked	Remove the blockage
Thermal contacts/resistors have triggered	Motor overheated	Check the cooling impeller (if used), measure the motor winding (if possible) / contact Systemair
	Impeller rotates in wrong direction.	Change direction of rotation (swap two phases in case of a 3-phase motor)
	Missing phase	Check if all 3 phase are present
Fan does not reach nominal speed	Motor blocked	Contact Systemair
	Control units (if used) such as frequency converter or transformer are set incorrectly.	Correct the settings of the control units.
	Defective motor winding	Contact Systemair
Motor does not rotate	Improperly aligned drive motor	Contact Systemair
	Mechanical blockage	Remove the blockage
	Incorrect supply voltage	Check the supply voltage, re-establish the voltage supply.
	Faulty connection	Disconnect from the power supply, correct the connection, see circuit diagram.
Electronics/motor overheated	Temperature monitor has responded.	Allow the motor to cool down, find and resolve the cause of the fault.
	Insufficient cooling	Improve cooling.
	Ambient temperature too high	Check if the correct fan is used for your application.

**Note:**

For all other damage/defects, please contact Systemair. Defective safety-relevant fans (for Ex and smoke extraction applications) must be replaced completely.

11.3 Maintenance

Warranty claims can only be made if maintenance work is carried out correctly and written evidence thereof is provided.

We recommend regular maintenance intervals to ensure continuous fan operation. These maintenance intervals are specified in the "Activities" table below. In addition, the operator must carry out follow-up activities such as cleaning, replacing defective components or other corrective measures. For traceability reasons, a maintenance plan must be created which documents the work carried out. This must be created by the operator. If the operating conditions are "extreme", the maintenance intervals must be reduced so that maintenance is carried out more frequently. Examples of extreme operating conditions:

- Fan unit in rare use (less than once a month)
- Fan used for emergency operation
- Ambient temperature > 40 °C or < -10 °C, or temperature fluctuations > 20 K

The following check list provides points of reference for the tasks to be carried out.

Get In Touch

Call: 0845 6880112
Email: info@adremit.co.uk

Our Address

Puravent, Adremit Limited, Unit 5a, Commercial Yard, Settle, North Yorkshire, BD24 9RH

Table 20 Activities

Activity	Normal operating conditions		Extreme operating conditions	
	Every six months	Annually	Quarterly	Every six months
Check the fan and its components for visible damage, corrosion and contamination.		X		X
Check the impeller for damage and imbalance.		X		X
Clean the fan/ventilation system (see 12 <i>Cleaning</i> , page 28).	X		X	
Check the screwed connections for damages/defects and check that they are firmly seated.		X	See normal operating conditions	
Check the fan intake is free from contamination.		X		X
Check that the fan and its components are being used correctly.	X		See normal operating conditions	
Check the current consumption and compare this with the rated data.		X		X
Check the vibration dampers (if used) are working correctly and check for visible damage and corrosion.		X	See normal operating conditions	
Check the electrical and mechanical protective equipment is working correctly.		X	See normal operating conditions	
Check the fan's rating plate is legible.		X		X
Check the connection clamps and screwed cable connections for damage/defects, and check that they are firmly seated.		X	See normal operating conditions	
Check the flexible connectors for damage.	X		See normal operating conditions	
Check the function of the standstill heating (if used)		X	See normal operating conditions	
Check the lubrication device (if available). See the manual of the motor.		X		X

Table 21 Activities for fans used for emergency operation.

Check (if present)	Activity	Every six months
Operational readiness of the fan unit	Allow the fan to run for 1 hour	X
Operational readiness of the emergency system	Allow the "emergency" system to run for 15 minutes	X
Function of the "emergency" control	Test whether the "emergency" control effectively bridges all the other controls and switches	X
Function of the standstill heating	Switch the motor off. The standstill heating must switch on automatically and remain switched on	X

11.4 Variable-speed fans

Important

The fan may be destroyed due to unpermitted frequencies.

- ◆ Pay particular attention to damage from vibrations.
- ◆ After commissioning, start with shorter maintenance intervals.
- ◆ If no damage occurs, adjust the maintenance intervals up to the those stated in the operating instructions.
- ◆ Responsibility for gradual adaptation is with the system operator.

| 007



Get In Touch

Call: 0845 6880112
 Email: info@adremit.co.uk

Our Address

Puravent, Adremit Limited, Unit 5a, Commercial Yard, Settle, North Yorkshire, BD24 9RH



11.5 Overhaul/further maintenance

Pay attention to the safety references and preconditions as in normal maintenance. For the following activities and functions, contact Systemair:

- complete overhaul of motors
- replacement of bearings
- re-winding of motors
- monitoring of condition
- vibration analysis

After 20,000 hours of operation or 5 years of normal operation

- ◆ Check the condition of the shaft sealing rings and shaft bearings and take action if necessary.

After 30,000 to 40,000 hours of operation

- ◆ The bearings must be replaced at the end of the grease service life (about 30,000 to 40,000 h in standard applications).

Work before switching on again

- ◆ Attach all the safety and protective devices tightly and securely.
- ◆ Remove all the devices with which you have blocked the rotor.
- ◆ Remove all assembly residues and foreign bodies from the area around the fan unit.

11.6 Spare parts

- ◆ Use original spare parts from Systemair only.
- ◆ When ordering spare parts, please specify the serial number of the fan. This can be found on the name plate.

12 Cleaning

12.1 Safety information

- ◆ Cleaning may only be carried out by adequately qualified persons, details see Table 1 *Qualifications*, page 2.
- ◆ Observe the 5 rules of electrical safety, see 2.3 *5 rules of electrical safety*, page 2!

12.2 Preconditions

- ◆ The power supply has been switched off (all-pole circuit breaker).
- ◆ The impeller must be at a standstill.



13 Deinstallation/dismantling

Deinstall and dismantle the fan in reverse order of installation (7 *Installation*, page 15) and electrical connection (8 *Electrical connection*, page 22).

14 Disposal

- ◆ Ensure material is recycled. Observe national regulations.
- ◆ The device and the transport packaging are predominantly made from recyclable raw materials.
- ◆ Disassemble the fan into its components.
- ◆ Separate the parts according to:
 - reusable material
 - material groups to be disposed of (metal, plastics, electrical parts, etc.)

Get In Touch

-  Call: [0845 6880112](tel:08456880112)
-  Email: info@adremit.co.uk

Our Address

Puravent, Adremit Limited, Unit 5a, Commercial Yard,
Settle, North Yorkshire, BD24 9RH

15 EU Declaration of conformity

Table 22 Axial fans

The manufacturer:	Systemair GmbH Seehöfer Straße 45 97944 Boxberg Germany	
Product designation:	Axial fans	
Type designation:	AXC; AXC(K); AXC(B); AXC(F); AXC-G; AXC(B)-G; AXC-P; AXC(B)-P; AXC-E; AXC-EK; AXC(B)-EK; AXR; AXR(K); AXR(B); AXR(F); AXCBF; AXS; AR; AW; AXCP; AXCP(B), AXCP(F), AXCPV, AXCPV(B), AXCPV(F)	
Since year of manufacture:	2019	

The manufacturer declares that the above mentioned products in their design and construction and the version marketed by us complies with the harmonization legislation listed below:

EU directives:	2006/42/EC	Machinery directive
	2014/30/EU	Directive electromagnetic compatibility (EMC)
	2011/65/EU	RoHS directive
	2009/125/EC	ErP guidelines



Table 23 Jet fans

The manufacturer:	Systemair GmbH Seehöfer Straße 45 97944 Boxberg Germany	
Product designation:	Jet fans	
Type designation:	AJR, AJR(B), AJR(F), AJ8, AJ8(B), AJ8(F), AJ, AJ(K), AJ(B), AJ(F), AJR-TR, IV, IV Smart	
Since year of manufacture:	2019	

The manufacturer declares that the above mentioned products in their design and construction and the version marketed by us complies with the harmonization legislation listed below:

EU directives:	2006/42/EC	Machinery directive
	2014/30/EU	Directive electromagnetic compatibility (EMC)
	2011/65/EU	RoHS directive
	2009/125/EC	ErP guidelines
Regulations:	327/2011	Only for fans above 125W

Get In Touch

 **Call:** [0845 6880112](tel:08456880112)
 **Email:** info@adremit.co.uk

Our Address

Puravent, Adremit Limited, Unit 5a, Commercial Yard,
Settle, North Yorkshire, BD24 9RH

16 Commissioning Report

Warranty claims can only be made if commissioning work is carried out correctly and written evidence thereof is provided.

Fan

Description:

Article no.:

Manufacturing order no.:

Installer

Company:

Contact person:

Company address:

Tel. no.:

Email:

Operator (Place of installation)

Company:

Contact person:

Company address:

Tel. no.:

Email:

Type of connection

Directly to mains

Yes

No

0-10 V signal (EC motor)

via contactor control

Transformer

Frequency converter

Sinus filter

Shielded cables

Motor protection

Yes

No

Motor protection switch or motor protection relay

PTC resistor

Resistance value [Ω]:

Thermal contact

Electrical motor protection

Others:

Functional check

Yes

No

Impeller easily rotatable (by hand)

Rotation direction acc. to directional arrow

Nominal data - Fan (name plate on fan housing)

Voltage [V]:



Current [A]:

Frequency [Hz]:

Power [kW]:

Fan impeller speed [rpm]:

Get In Touch

 Call: 0845 6880112
 Email: info@adremit.co.uk

Our Address

Puravent, Adremit Limited, Unit 5a, Commercial Yard,
 Settle, North Yorkshire, BD24 9RH



Measured data at commissioning

Voltage [V]:	Temp. of transported air [°C]:
Current L1 [A]*:	Fan impeller speed [rpm]:
Current L2 [A]:	<i>"Air volume", "Differential pressure" not necessary for Jet fans</i>
Current L3 [A]:	Air volume [m ³ /s]:
For single-phase fans, fill in line "Current L1 [A]"	Differential pressure [Pa]:
	*Δ- Pressure between suction-side and discharge of the fan

If an air flow measurement is not possible, this value can be calculated using the following formula:

$$\text{Duct cross-section [m}^2\text{]} \times \text{Flow speed [m/s]} = \text{Air volume [m}^3\text{/s]}$$

Grille measurement acc. to VDI 2044

	Yes	No
Commissioning of the fan successful?	<input type="checkbox"/>	<input type="checkbox"/>

Date, installer's signature

Date, operator's signature

Get In Touch

Call: 0845 6880112
Email: info@adremit.co.uk

Our Address

Puravent, Adremit Limited, Unit 5a, Commercial Yard, Settle, North Yorkshire, BD24 9RH





Systemair GmbH
Seehöfer Str. 45
97944 Boxberg
Germany

Tel.: +49 (0)7930/9272-0
Fax: +49 (0)7930/9273-92

info@systemair.de
www.systemair.de

Get In Touch

 **Call:** [0845 6880112](tel:08456880112)
 **Email:** info@adremit.co.uk

Our Address

Puravent, Adremit Limited, Unit 5a, Commercial Yard,
Settle, North Yorkshire, BD24 9RH