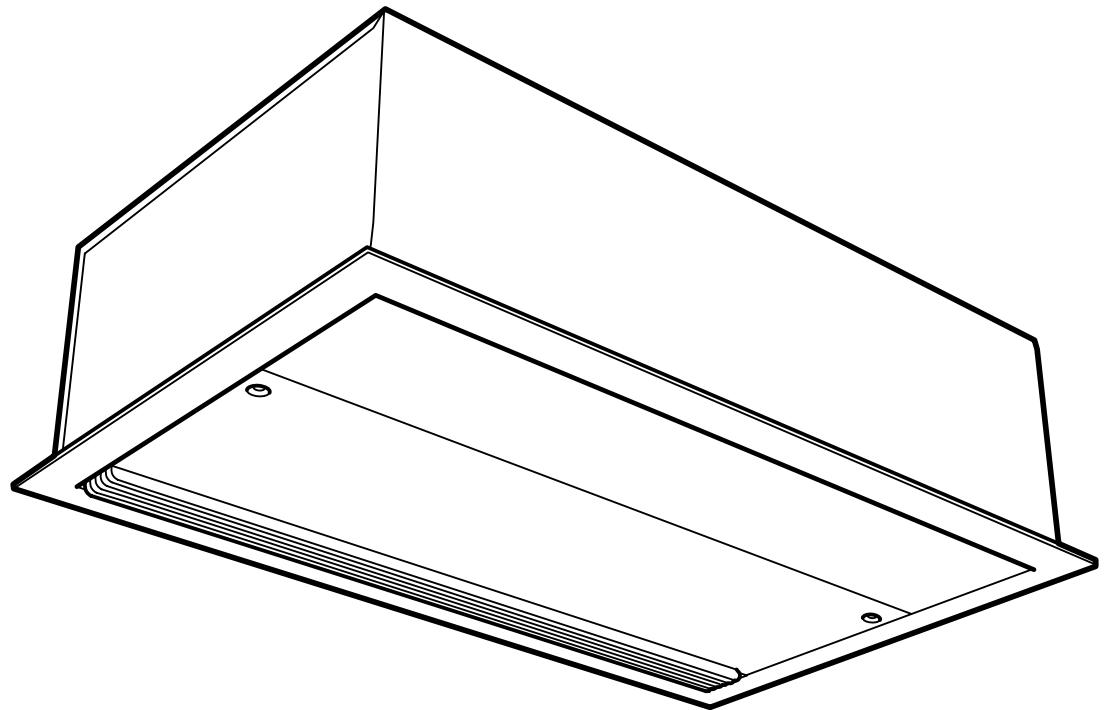




Original instructions  
**AR4200**



SE ... 20

GB ... 25

NO ... 29

FR ... 34

DE ... 39

ES ... 44



NL ... 49

IT ... 54

PL ... 59

RU ... 64

## Get In Touch

 Call: [0845 6880112](tel:08456880112)  
 Email: [info@adremit.co.uk](mailto:info@adremit.co.uk)

## Our Address

Puravent, Adremit Limited, Unit 5a, Commercial Yard,  
Settle, North Yorkshire, BD24 9RH

- SE** Introduktionssidorna består huvudsakligen av bilder. För översättning av de engelska texter som används, se respektive språksidor.
- GB** The introduction pages consist mainly of pictures. For translation of the English texts used, see the respective language pages.
- NO** Introduksjonssidene består hovedsakelig av bilder. For oversettelse av de engelske tekstene, se de respektive språksidene
- FR** Les pages de présentation contiennent principalement des images. Consulter la page correspondant à la langue souhaitée.
- DE** Die Einleitungsseiten bestehen hauptsächlich aus Bildern. Für die Übersetzung der verwendeten Texte in englischer Sprache, siehe die entsprechenden Sprachseiten.
- ES** Las páginas introductorias contienen básicamente imágenes. Consulte la traducción de los textos en inglés que las acompañan en las páginas del idioma correspondiente.
- NL** De inleidende pagina's bevatten hoofdzakelijk afbeeldingen. Voor een vertaling van de gebruikte Engelse teksten, zie de pagina's van de resp. taal.
- IT** Le pagine introduttive contengono prevalentemente immagini. Per le traduzioni dei testi scritti in inglese, vedere le pagine nelle diverse lingue.
- PL** Początkowe strony zawierają głównie rysunki. Tłumaczenie wykorzystanych tekstów angielskich znajduje się na odpowiednich stronach językowych.
- RU** Страницы в начале Инструкции состоят в основном из рисунков, схем и таблиц. Перевод встречающегося там текста приведен в разделе RU.

## Get In Touch

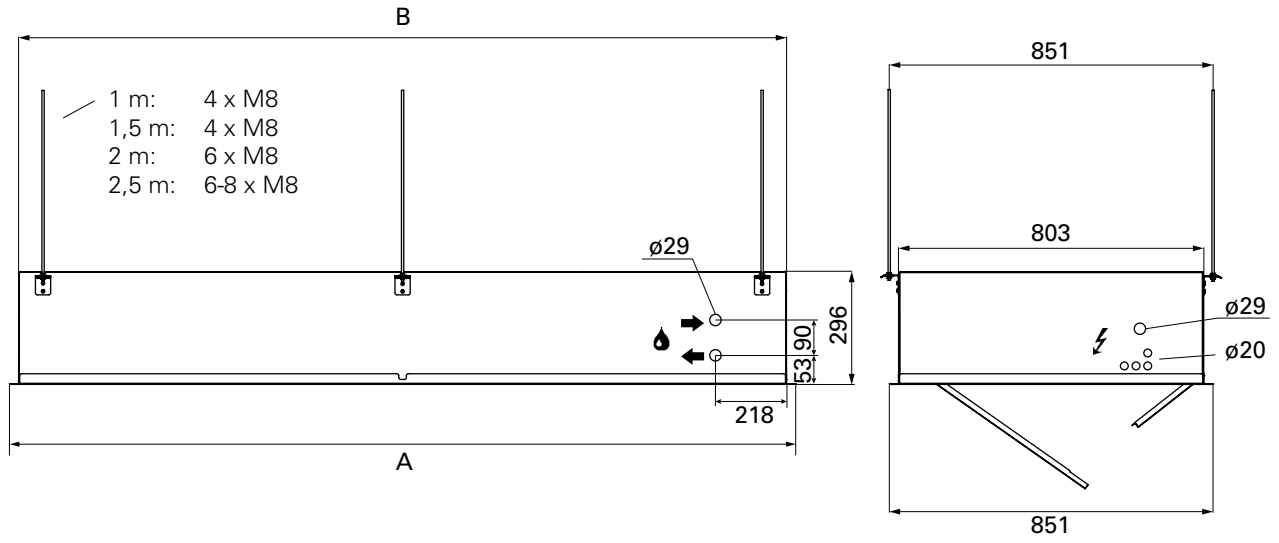
 Call: 0845 6880112  
 Email: [info@adremit.co.uk](mailto:info@adremit.co.uk)

## Our Address

Puravent, Adremit Limited, Unit 5a, Commercial Yard,  
Settle, North Yorkshire, BD24 9RH





# AR4200



	A	B
	[mm]	[mm]
<b>AR4210</b>	1067	1020
<b>AR4215</b>	1577	1520
<b>AR4220</b>	2067	2020
<b>AR4225</b>	2579	2520

## Get In Touch

 **Call:** [0845 6880112](tel:08456880112)  
 **Email:** [info@adremit.co.uk](mailto:info@adremit.co.uk)

## Our Address

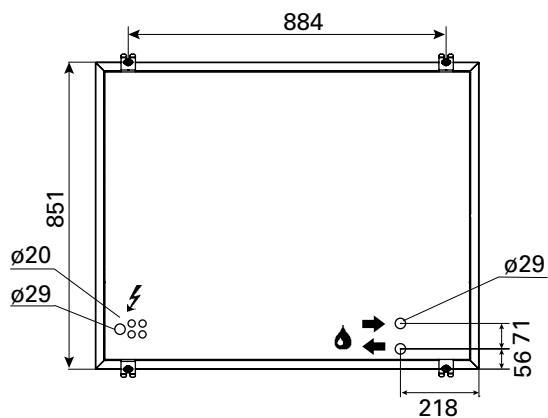
Puravent, Adremit Limited, Unit 5a, Commercial Yard,  
 Settle, North Yorkshire, BD24 9RH



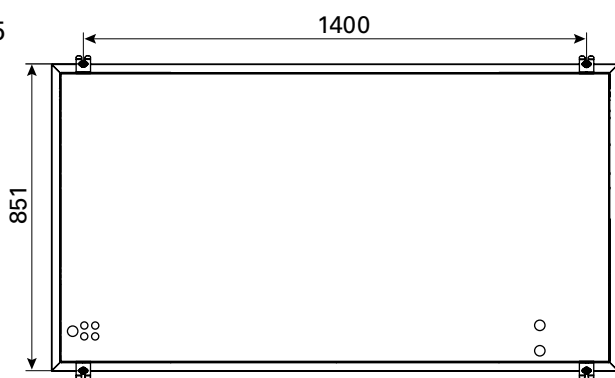
# Mounting on threaded bars outside the unit

## Top view

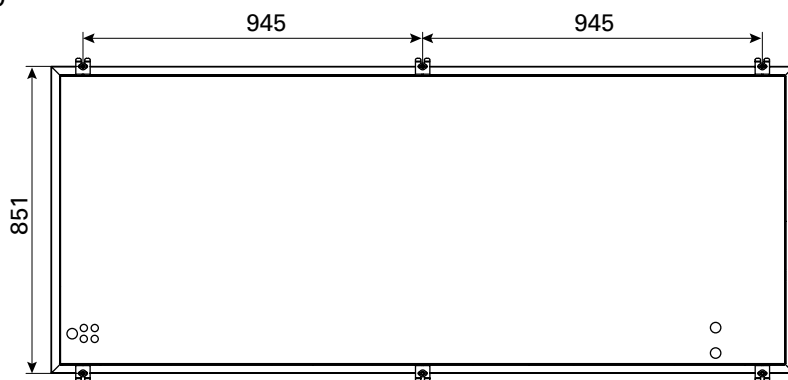
AR4210



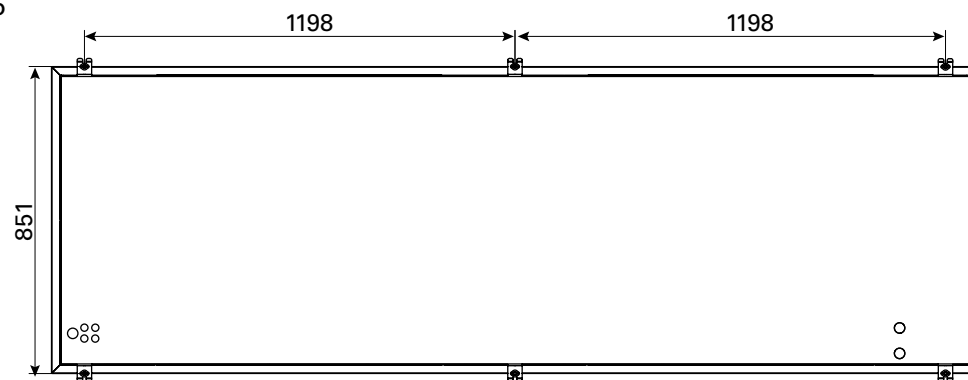
AR4215



AR4220



AR4225



### Get In Touch

 Call: [0845 6880112](tel:08456880112)  
 Email: [info@adremit.co.uk](mailto:info@adremit.co.uk)

### Our Address

Puravent, Adremit Limited, Unit 5a, Commercial Yard,  
Settle, North Yorkshire, BD24 9RH



## Mounting on threaded bars outside the unit

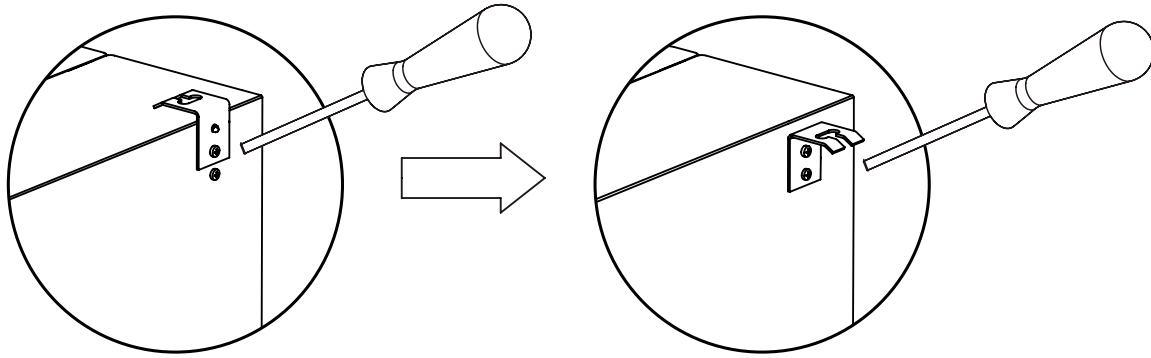


Fig. 1a: Mounting brackets on delivery.

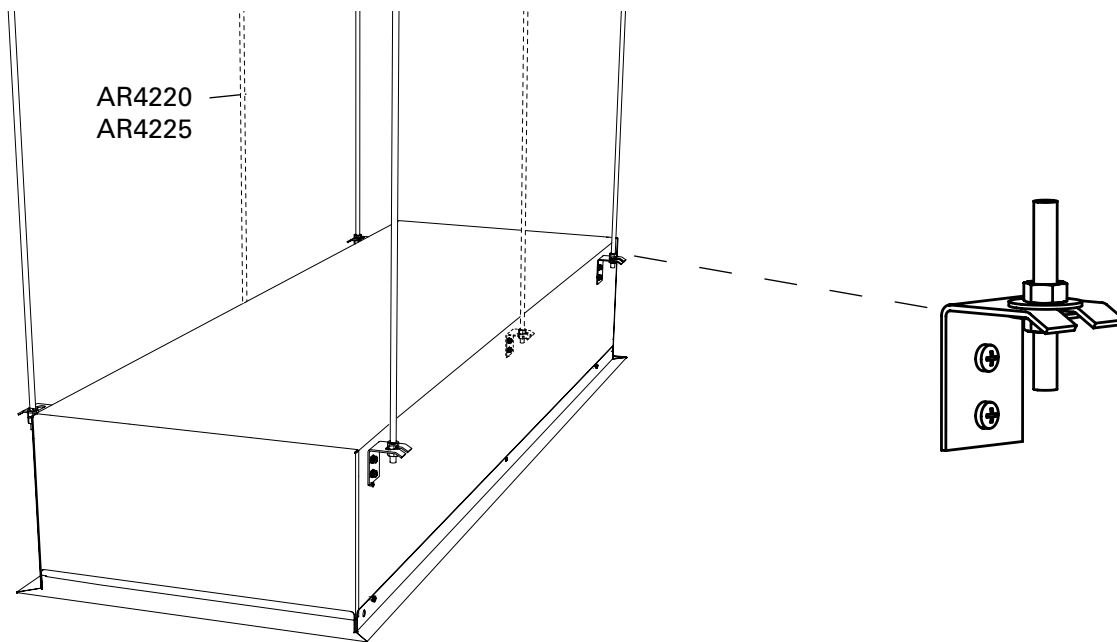




Fig. 1b. Mounting on threaded bars outside the unit.

### Get In Touch

 Call: [0845 6880112](tel:08456880112)  
 Email: [info@adremit.co.uk](mailto:info@adremit.co.uk)

### Our Address

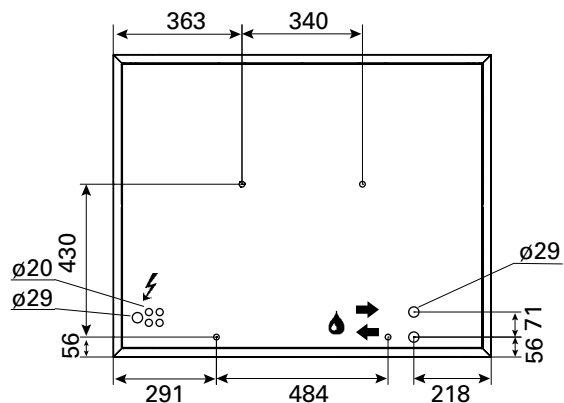
Puravent, Adremit Limited, Unit 5a, Commercial Yard,  
Settle, North Yorkshire, BD24 9RH



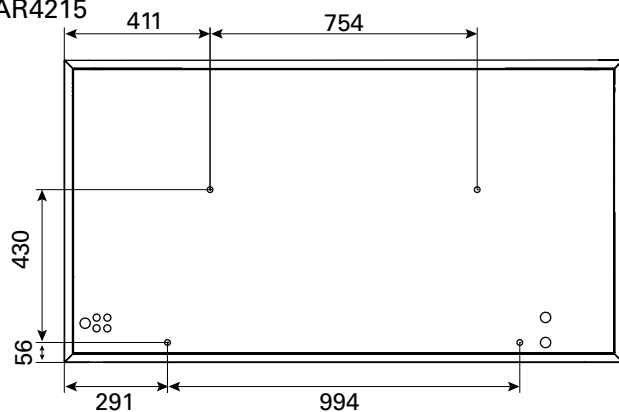
# Mounting on threaded bars inside the unit

## Top view

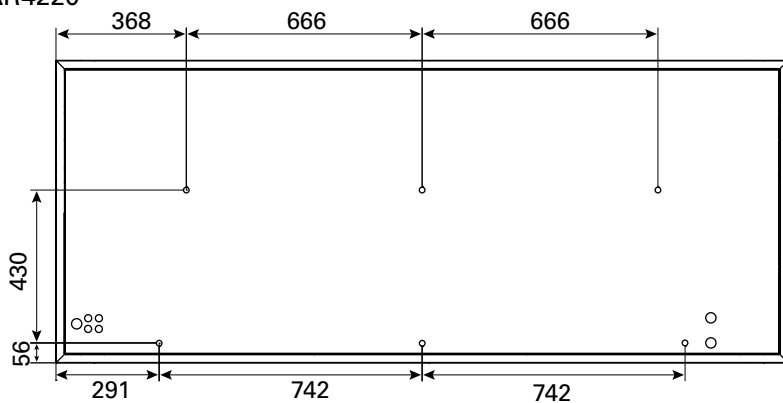
AR4210



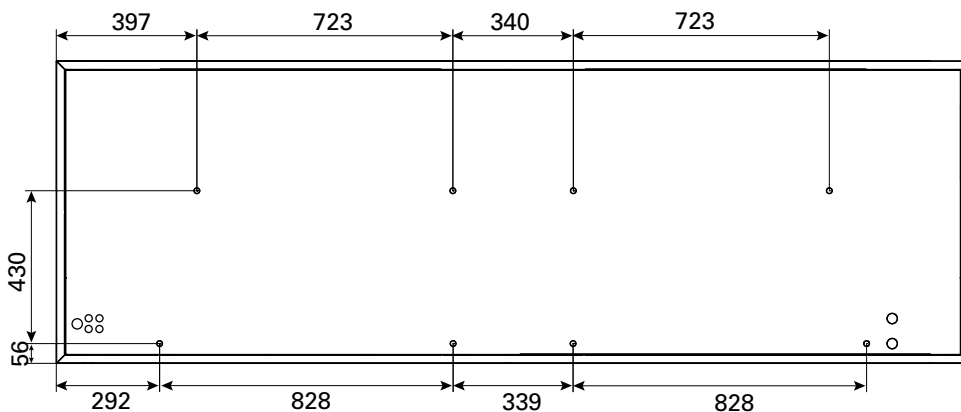
AR4215



AR4220



AR4225



### Get In Touch

Call: [0845 6880112](tel:08456880112)  
Email: [info@adremit.co.uk](mailto:info@adremit.co.uk)

### Our Address

Puravent, Adremit Limited, Unit 5a, Commercial Yard,  
Settle, North Yorkshire, BD24 9RH



## Mounting on threaded bars inside the unit

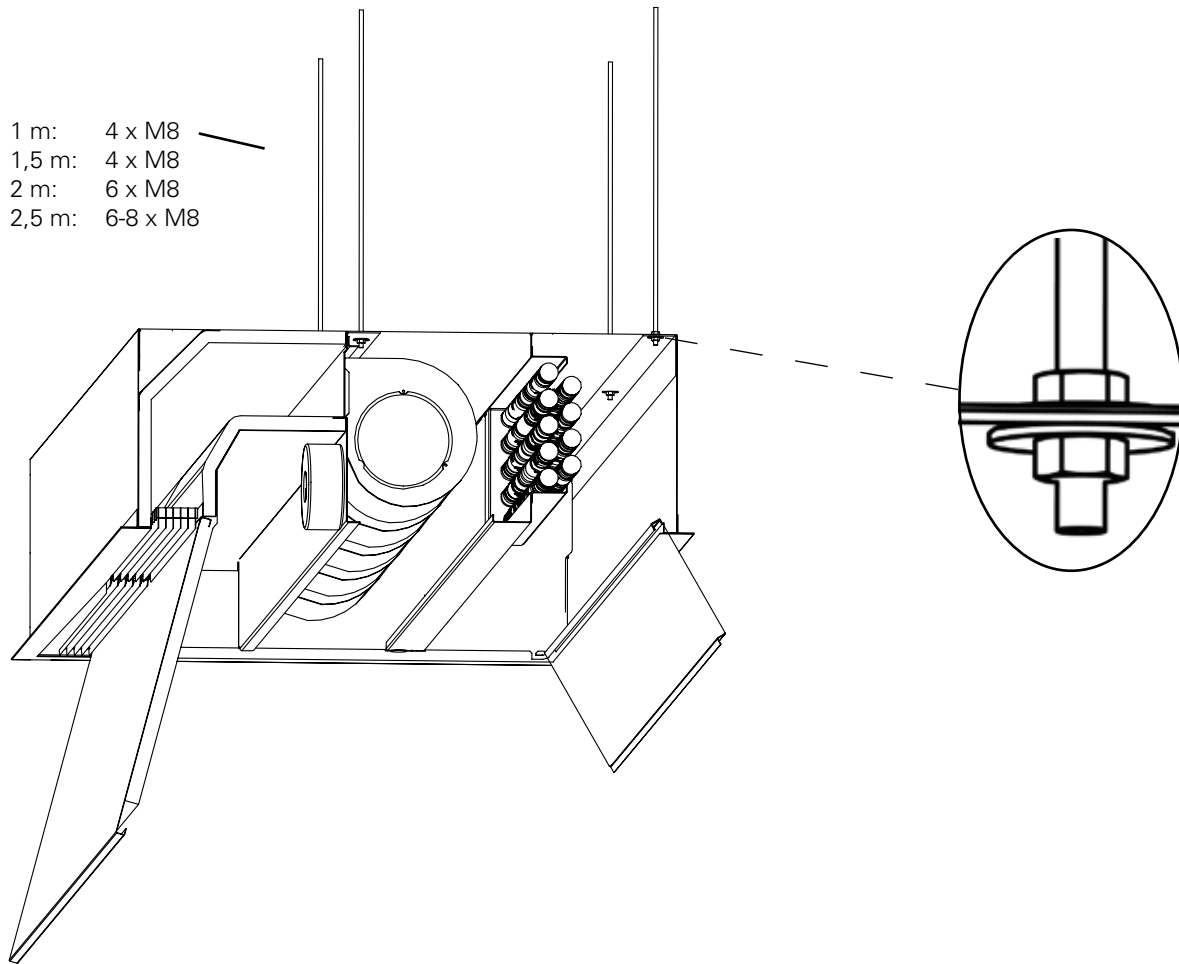




Fig. 2. Mounting on threaded bars inside the unit.

### Get In Touch

 Call: [0845 6880112](tel:08456880112)  
 Email: [info@adremit.co.uk](mailto:info@adremit.co.uk)

### Our Address

Puravent, Adremit Limited, Unit 5a, Commercial Yard,  
Settle, North Yorkshire, BD24 9RH

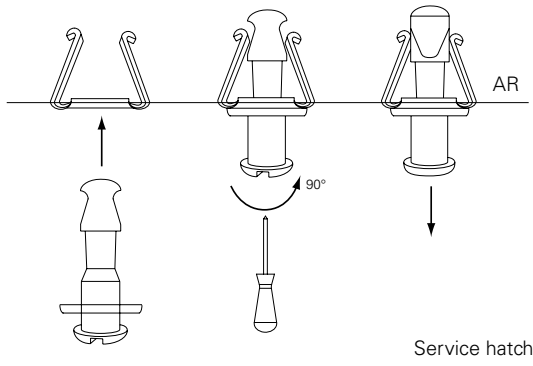


Fig. 3: Snap fixings

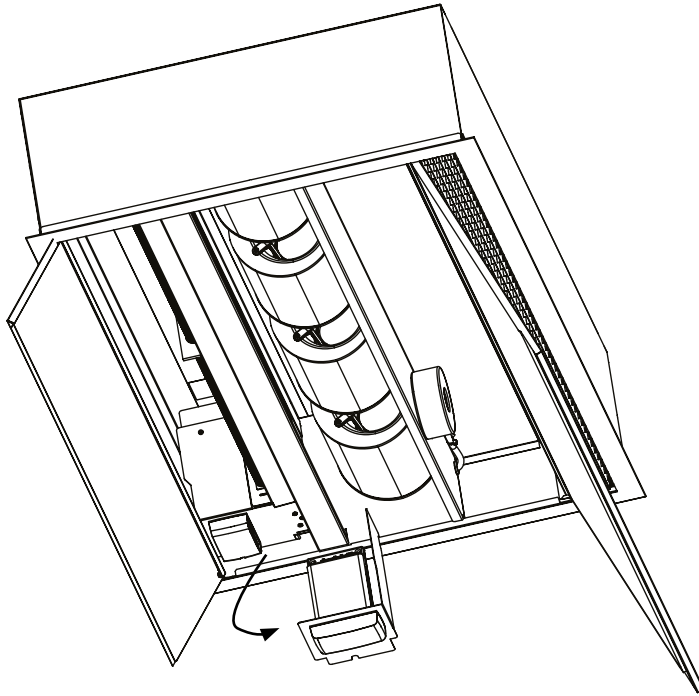


Fig. 4: SIRe inside the unit.

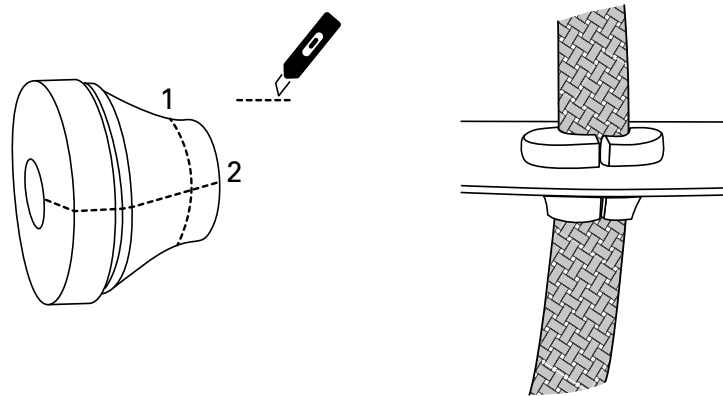


Fig. 5: Hoses are mounted via cable glands at knockouts to protect the hose and prevent air leakage.

Get In Touch

Call: [0845 6880112](tel:08456880112)  
Email: [info@adremit.co.uk](mailto:info@adremit.co.uk)

Our Address

Puravent, Adremit Limited, Unit 5a, Commercial Yard,  
Settle, North Yorkshire, BD24 9RH





## Accessories



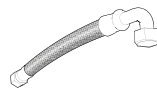
PA34TR



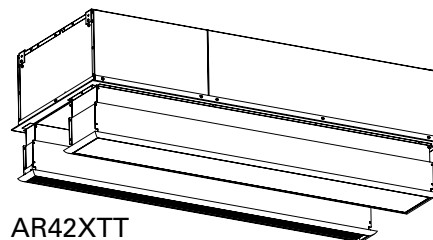
PA34CB



PA34VD



FHDN20



AR42XTT

See separate manual.

<b>PA34TR15</b>	AR4210/4215	4 pcs	L: 1 m
<b>PA34TR20</b>	AR4220	6 pcs	L: 1 m
<b>PA34TR30</b>	AR4225	8 pcs	L: 1 m
<b>PA34CB15</b>	AR4210/4215	4 pcs	
<b>PA34CB20</b>	AR4220	6 pcs	
<b>PA34CB30</b>	AR4225	8 pcs	
<b>PA34VD15</b>	AR4210/4215	4 pcs	
<b>PA34VD20</b>	AR4220	6 pcs	
<b>PA34VD30</b>	AR4225	8 pcs	
<b>FHDN2010</b>	AR4200W	2 pcs	L: 1 m
<b>AR42XTT10</b>	AR4210		H: 130-210 mm
<b>AR42XTT15</b>	AR4215		H: 130-210 mm
<b>AR42XTT20</b>	AR4220		H: 130-210 mm
<b>AR42XTT25</b>	AR4225		H: 130-210 mm

### Get In Touch

Call: [0845 6880112](tel:08456880112)Email: [info@adremit.co.uk](mailto:info@adremit.co.uk)

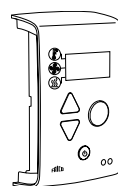
### Our Address

Puravent, Adremit Limited, Unit 5a, Commercial Yard,  
Settle, North Yorkshire, BD24 9RH

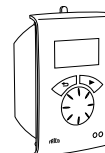


### SIRe

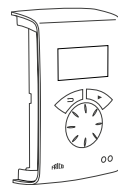
<b>SIReB</b>	
<b>SIReAC</b>	
<b>SIReAA</b>	
<b>SIReRTX</b>	70x33x23 mm
<b>SIReUR</b>	114x70x50 mm
<b>SIReWTA</b>	
<b>SIReCJ4</b>	
<b>SIReCJ6</b>	
<b>SIReCC603</b>	3 m
<b>SIReCC605</b>	5 m
<b>SIReCC610</b>	10 m
<b>SIReCC615</b>	15 m
<b>SIReCC640</b>	40 m
<b>SIReCC403</b>	3 m
<b>SIReCC405</b>	5 m
<b>SIReCC410</b>	10 m
<b>SIReCC415</b>	15 m



SIReB



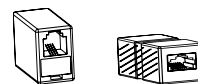
SIReUR



SIReAC/SIReAA



SIReWTA



SIReCJ4/SIReCJ6



SIReRTX

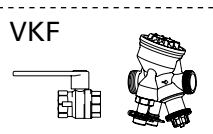


SIReCC



<b>VKF15LF</b>	DN15
<b>VKF15NF</b>	DN15
<b>VKF20</b>	DN20
<b>VKF25</b>	DN25
<b>VKF32</b>	DN32
<b>SD230</b>	
<b>BPV10</b>	
<b>SDM24</b>	
<b>ST23024</b>	
<b>VOT15</b>	DN15
<b>VOT20</b>	DN20
<b>VOT25</b>	DN25

#### VLSP

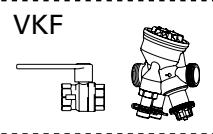


SD230



BPV10

#### VLP

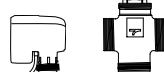


SDM24



ST23024

#### VOT



#### Get In Touch

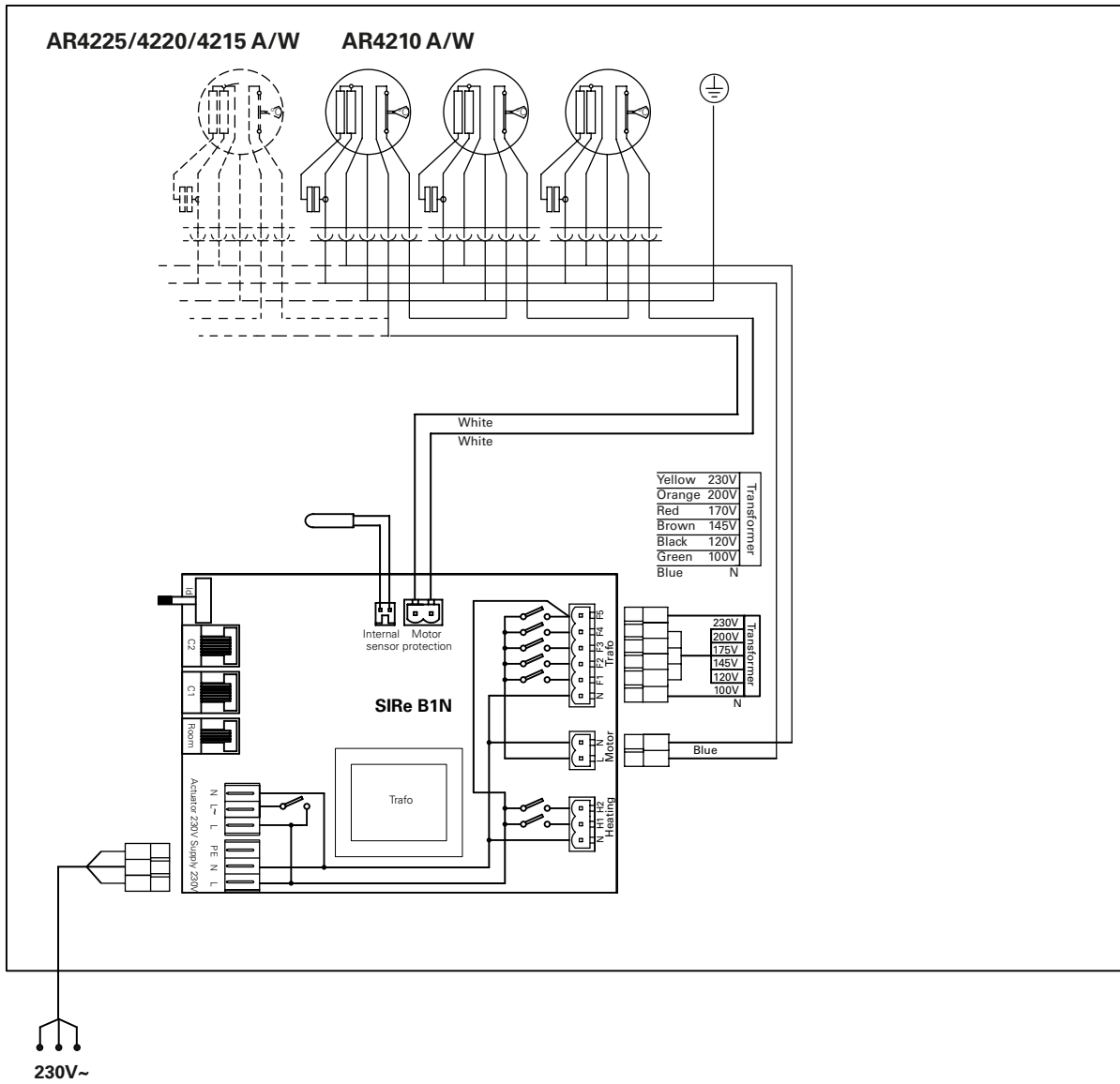
Call: 0845 6880112  
 Email: [info@adremit.co.uk](mailto:info@adremit.co.uk)

#### Our Address

Puravent, Adremit Limited, Unit 5a, Commercial Yard,  
 Settle, North Yorkshire, BD24 9RH



AR4200 A  
AR4200 W



Get In Touch

Call: 0845 6880112  
Email: [info@adremit.co.uk](mailto:info@adremit.co.uk)

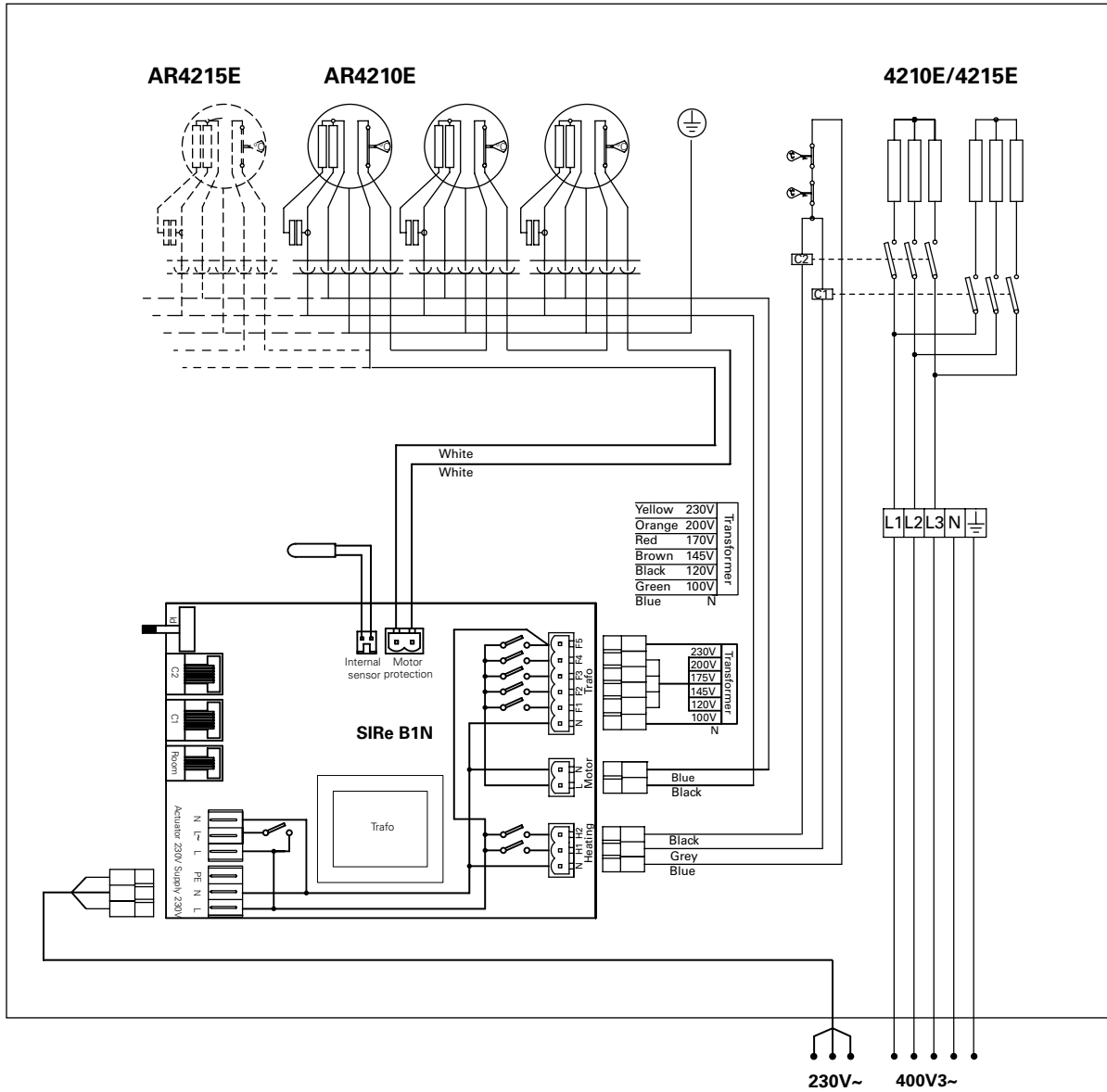
Our Address

Puravent, Adremit Limited, Unit 5a, Commercial Yard,  
Settle, North Yorkshire, BD24 9RH





AR4210/4215 E



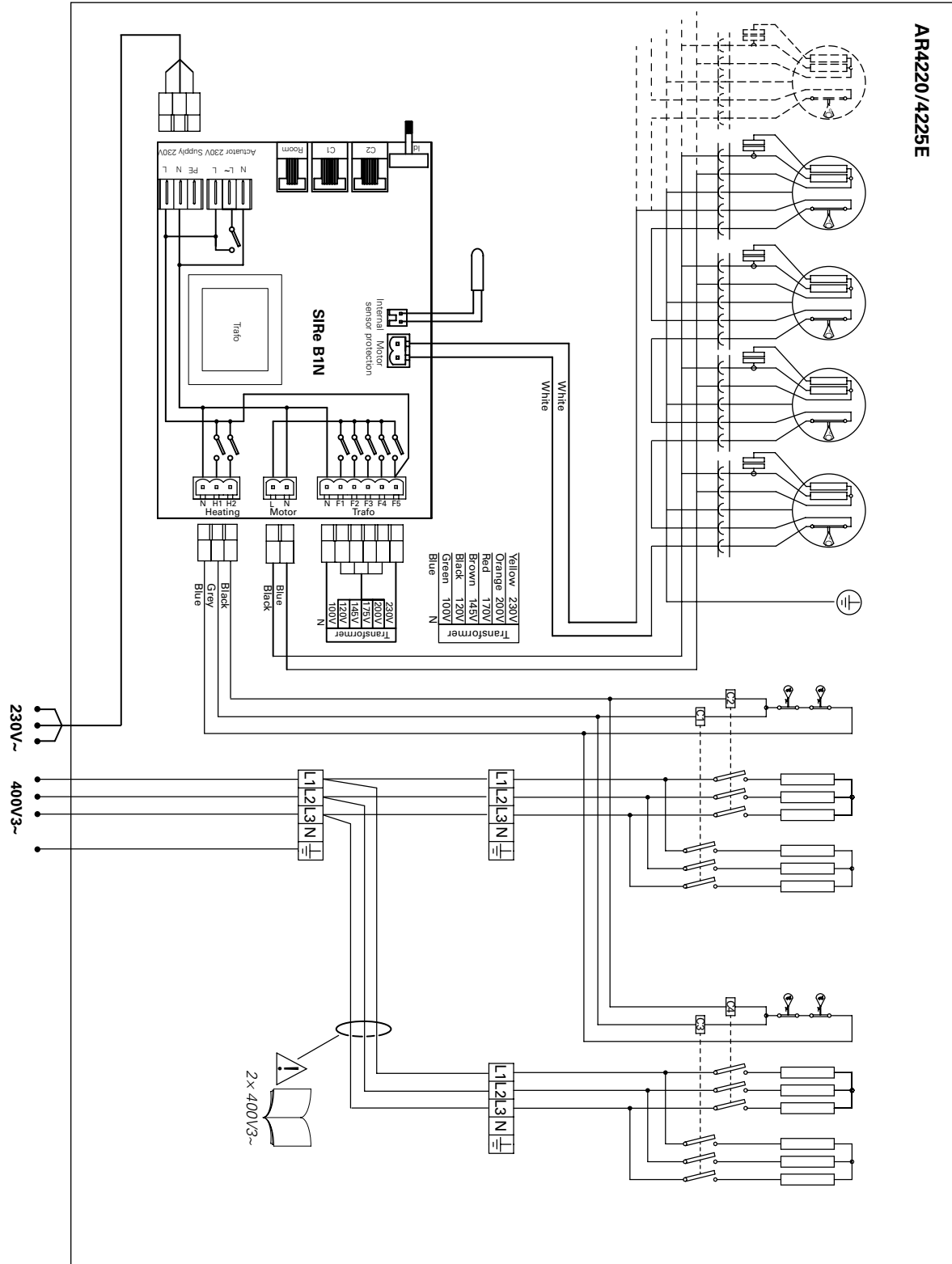
Get In Touch

Call: 0845 6880112  
 Email: [info@adremit.co.uk](mailto:info@adremit.co.uk)



Our Address

Puravent, Adremit Limited, Unit 5a, Commercial Yard,  
 Settle, North Yorkshire, BD24 9RH





Get In Touch

 Call: 0845 6880112  
 Email: [info@adremit.co.uk](mailto:info@adremit.co.uk)

Our Address

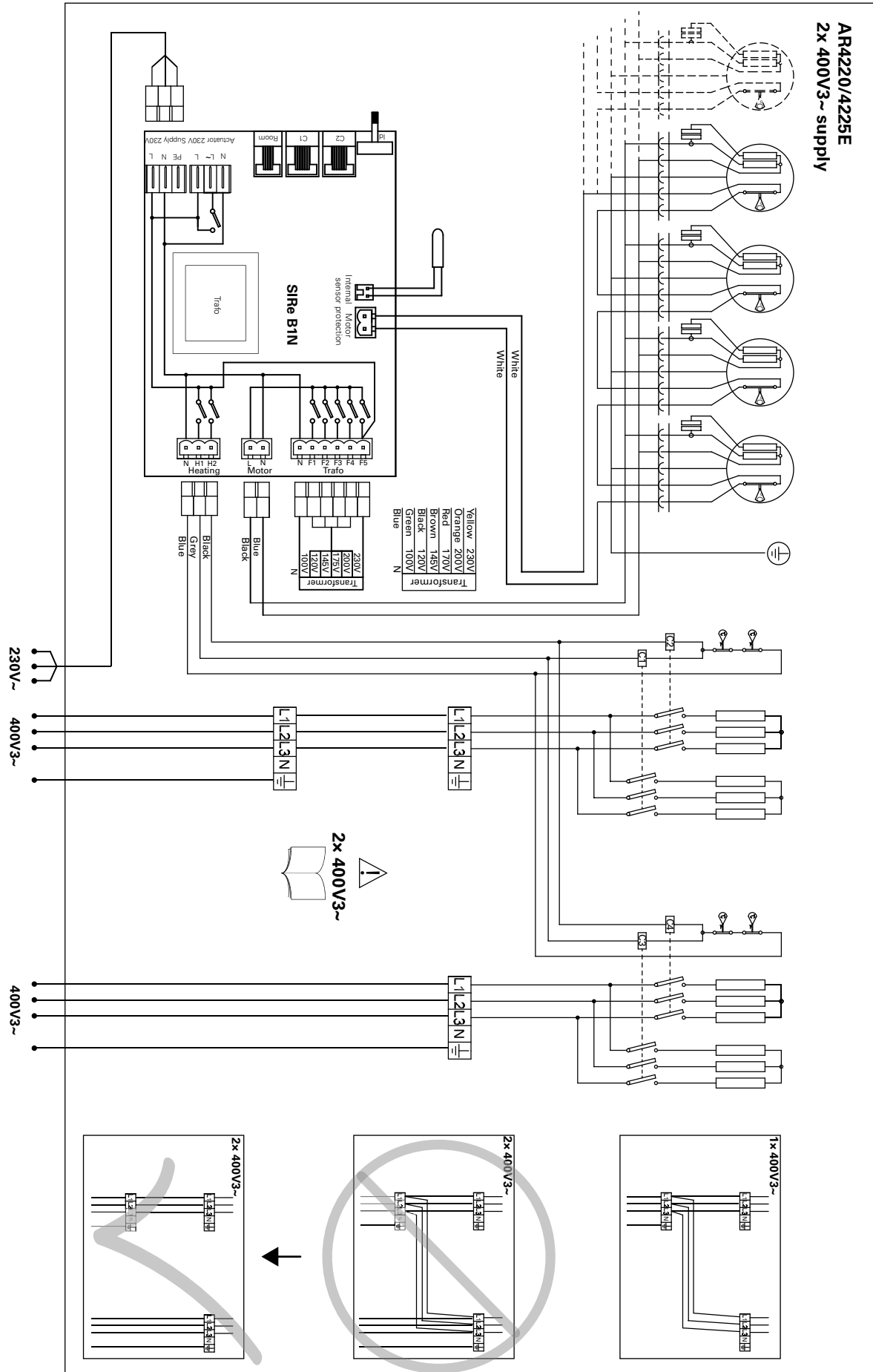
Puravent, Adremit Limited, Unit 5a, Commercial Yard, Settle, North Yorkshire, BD24 9RH





AR4220/4225 E

2x 400V3~



AR4220/4225E  
2x 400V3~ supply

Get In Touch

Call: 0845 6880112  
Email: [info@adremit.co.uk](mailto:info@adremit.co.uk)

Our Address

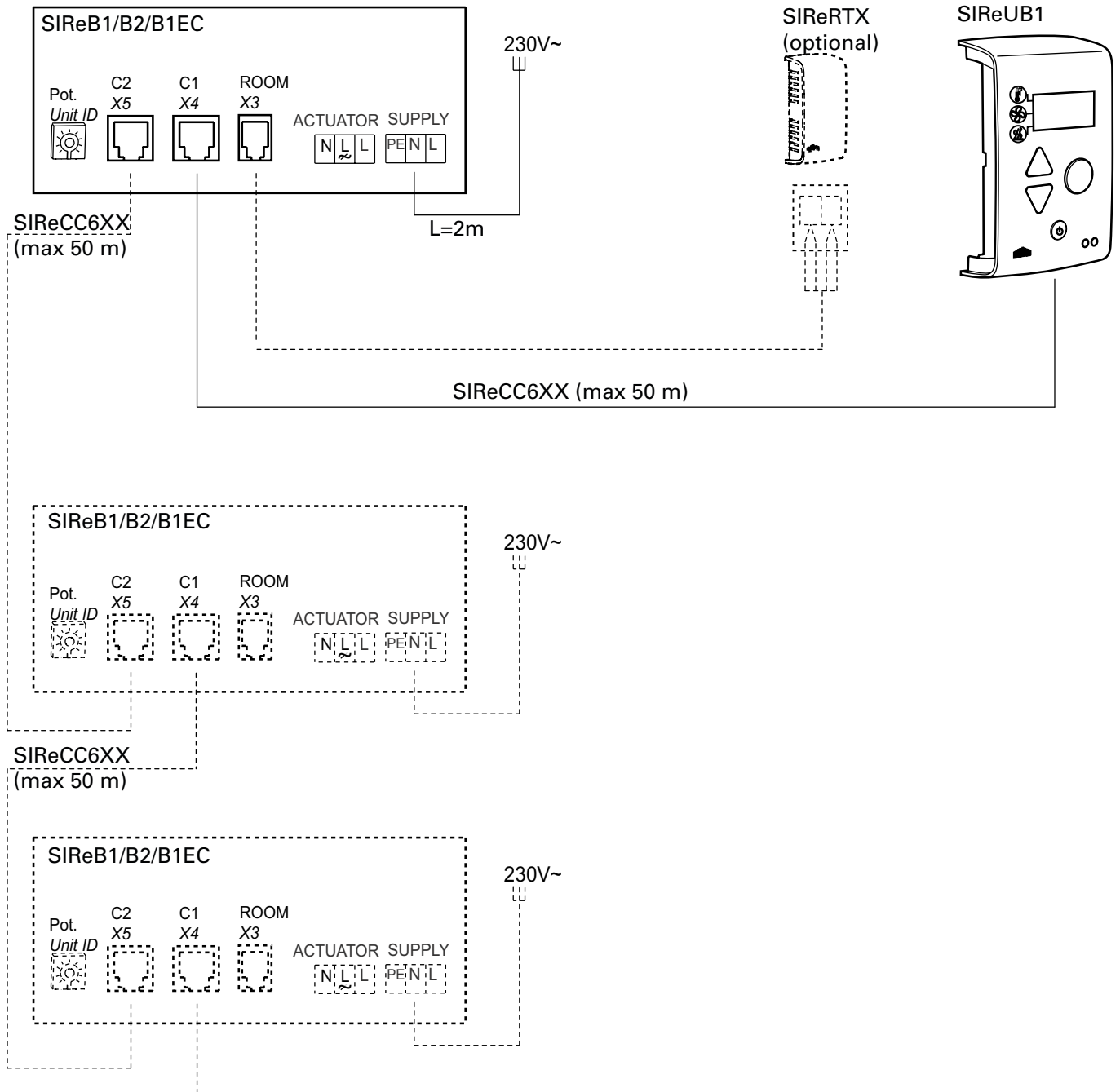
Puravent, Adremit Limited, Unit 5a, Commercial Yard,  
Settle, North Yorkshire, BD24 9RH





# SIReB Basic

## AR4200 A / AR4200 E



Wiring diagrams for SIReAC Competent and SIReAA Advanced, see manual for SIRe.

### Get In Touch

Call: 0845 6880112  
Email: [info@adremit.co.uk](mailto:info@adremit.co.uk)

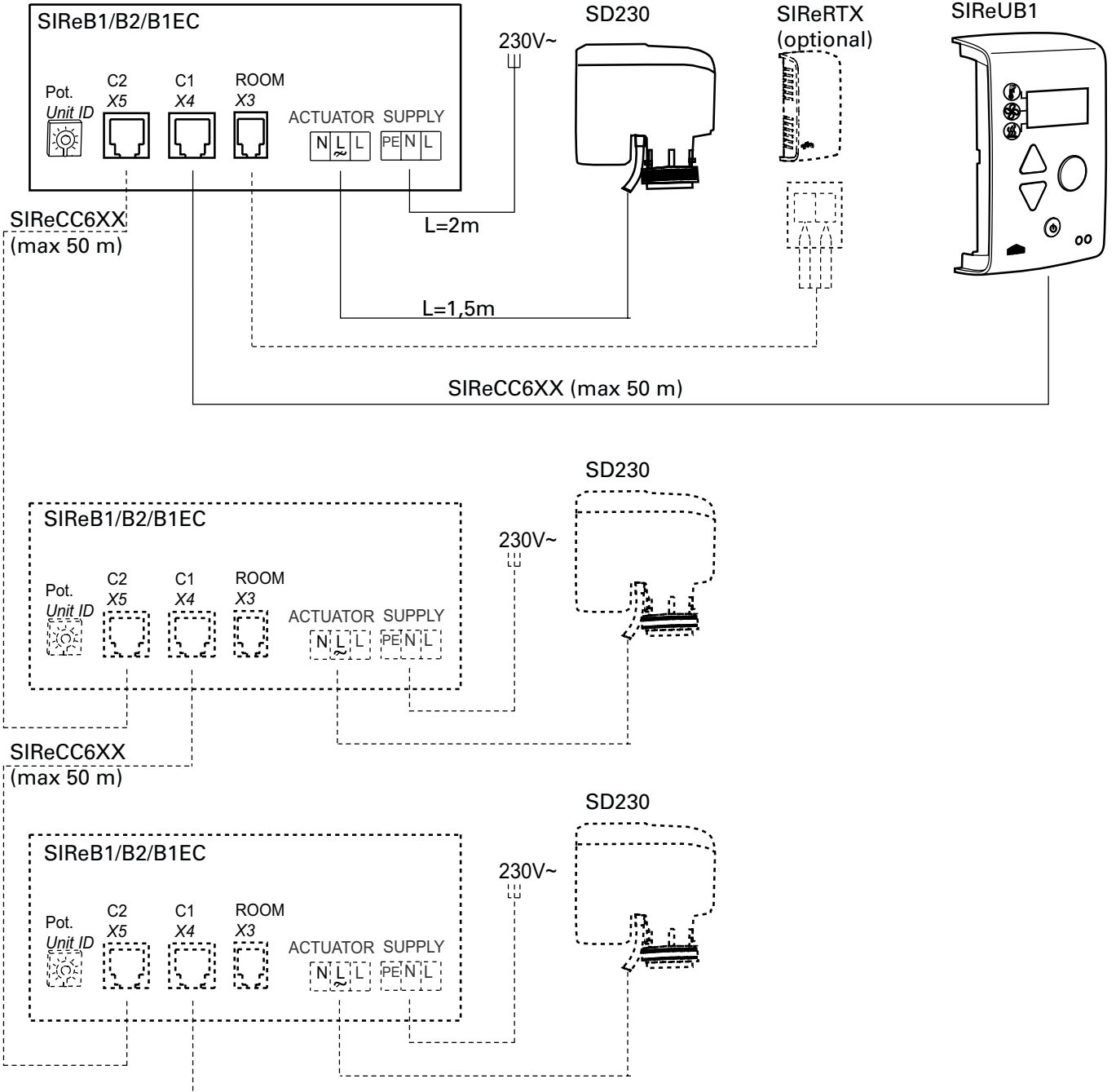
### Our Address

Puravent, Adremit Limited, Unit 5a, Commercial Yard, Settle, North Yorkshire, BD24 9RH



# SIReB Basic

## AR4200 W



Wiring diagrams for SIReAC Competent and SIReAA Advanced, see manuals for SIRe.

### Get In Touch

Call: 0845 6880112  
Email: [info@adremit.co.uk](mailto:info@adremit.co.uk)

### Our Address

Puravent, Adremit Limited, Unit 5a, Commercial Yard, Settle, North Yorkshire, BD24 9RH





## Output charts water AR4200W - Standard coil

			Supply water temperature:80 °C Room temperature: +18 °C Outlet air temperature: +35 °C*1				Water temperature: 80/60 °C Room temperature: +18 °C			
Type	Fan position	Airflow [m³/h]	Output [kW]	Return water temp. [°C]	Water flow [l/s]	Pressure drop [kPa]	Output *2 [kW]	Outlet air temp. [°C]	Water flow [l/s]	Pressure drop [kPa]
AR4210W	max	2700	15,2	31	0,07	2,9	29,1	49,6	0,36	43,9
	min	1100	6,6	27	0,03	0,6	15,6	59,5	0,19	14,1
AR4215W	max	3800	21,7	30	0,11	2,2	43,3	51,4	0,53	38,4
	min	1600	9,5	27	0,04	0,5	23,3	60,7	0,29	12,5
AR4220W	max	5500	32,1	31	0,16	2,1	61,6	50,8	0,75	33,4
	min	2300	13,4	27	0,06	0,4	33,2	60,3	0,41	10,9
AR4225W	max	6500	38,7	29	0,18	3,3	75,8	52,2	0,93	57,8
	min	2700	15,8	24	0,07	0,6	40,2	61,7	0,49	18,3

			Supply water temperature:70 °C Room temperature: +18 °C Outlet air temperature: +35 °C*1				Water temperature: 70/50 °C Room temperature: +18 °C			
Type	Fan position	Airflow [m³/h]	Output [kW]	Return water temp. [°C]	Water flow [l/s]	Pressure drop [kPa]	Output *2 [kW]	Outlet air temp. [°C]	Water flow [l/s]	Pressure drop [kPa]
AR4210W	max	2700	16,1	35	0,11	5,7	23,1	43	0,28	29,5
	min	1100	6,3	28	0,04	0,8	12,4	51	0,15	9,7
AR4215W	max	3800	22,1	32	0,14	3,8	34,3	44,4	0,42	25,7
	min	1600	9,4	28	0,05	0,7	18,6	52,1	0,23	8,5
AR4220W	max	5500	32,2	33	0,21	3,6	48,8	44	0,59	22,3
	min	2300	13,2	28	0,08	0,6	26,4	51,7	0,32	7,4
AR4225W	max	6500	36,8	30	0,22	4,8	60,3	45,2	0,73	39
	min	2700	15,4	25	0,08	0,9	32,2	53	0,39	12,6

			Supply water temperature: 60 °C Room temperature: +18 °C Outlet air temperature: +35 °C*1				Water temperature: 60/40 °C Room temperature: +18 °C			
Type	Fan position	Airflow [m³/h]	Output [kW]	Return water temp. [°C]	Water flow [l/s]	Pressure drop [kPa]	Output *2 [kW]	Outlet air temp. [°C]	Water flow [l/s]	Pressure drop [kPa]
AR4210W	max	2700	15,8	37	0,17	12,3	16,9	36,4	0,21	17,4
	min	1100	6,4	30	0,05	1,5	9,2	42,4	0,11	5,9
AR4215W	max	3800	21,6	35	0,21	7,6	25,2	37,4	0,31	15
	min	1600	9,2	29	0,07	1,2	13,8	43,2	0,17	5,1
AR4220W	max	5500	32,0	36	0,32	7,8	35,7	37	0,43	13,1
	min	2300	13,5	30	0,11	1,1	19,6	42,9	0,24	4,5
AR4225W	max	6500	38,8	35	0,37	12,0	44,6	38,1	0,54	23,2
	min	2700	15,3	27	0,11	1,5	24	44,1	0,29	7,7

			Supply water temperature: 55 °C Room temperature: +18 °C Outlet air temperature: +35 °C*1				Water temperature: 55/35 °C Room temperature: +18 °C			
Type	Fan position	Airflow [m³/h]	Output [kW]	Return water temp. [°C]	Water flow [l/s]	Pressure drop [kPa]	Output *2 [kW]	Outlet air temp. [°C]	Water flow [l/s]	Pressure drop [kPa]
AR4210W	max	2700	15,6	39	0,24	23,3	13,8	32,9	0,17	12,2
	min	1100	6,2	30	0,06	2,1	7,5	38	0,09	4,2
AR4215W	max	3800	21,8	37	0,29	14,2	20,5	33,8	0,25	10,5
	min	1600	9,3	30	0,09	1,8	11,3	38,6	0,14	3,6
AR4220W	max	5500	31,0	37	0,42	12,4	29,1	33,5	0,35	9,2
	min	2300	13,2	30	0,13	1,6	16	38,4	0,19	3,2
AR4225W	max	6500	38,7	37	0,52	22,1	36,6	34,5	0,44	16,5
	min	2700	16,1	29	0,15	2,5	19,8	39,5	0,24	5,6

\*1) Recommended outlet air temperature for good comfort and optimized output.

\*2) Nominal output at given supply and return water temperature.

## Get In Touch

Call: 0845 6880112  
Email: [info@adremit.co.uk](mailto:info@adremit.co.uk)

## Our Address

Puravent, Adremit Limited, Unit 5a, Commercial Yard,  
Settle, North Yorkshire, BD24 9RH

## Output charts water AR4200WLL - Special coil

			Supply water temperature: 55 °C Room temperature: +18 °C Outlet air temperature: +32 °C*1				Water temperature: 55/35 °C Room temperature: +18 °C			
Type	Fan position	Airflow [m³/h]	Output [kW]	Return water temp. [°C]	Water flow [l/s]	Pressure drop [kPa]	Output *2 [kW]	Outlet air temp. [°C]	Water flow [l/s]	Pressure drop [kPa]
AR4210WLL	max	2500	12,0	29	0,11	2,0	15,7	36,5	0,19	4,9
	min	1100	5,3	28	0,05	0,4	8,6	40,8	0,10	1,7
AR4215WLL	max	3600	17,2	27	0,15	2,0	24,3	37,8	0,29	6,4
	min	1600	7,6	26	0,06	0,5	13,1	42,1	0,16	2,2
AR4220WLL	max	5200	25,1	29	0,23	1,6	33,3	36,8	0,40	4,2
	min	2300	9,2	29	0,08	0,3	18	40,9	0,22	1,4
AR4225WLL	max	6200	30,6	28	0,27	1,8	41,3	37,5	0,50	5,3
	min	2700	13,9	28	0,13	0,5	21,9	41,8	0,27	1,7

			Supply water temperature: 50 °C Room temperature: +18 °C Outlet air temperature: +32 °C*1				Water temperature: 50/30 °C Room temperature: +18 °C			
Type	Fan position	Airflow [m³/h]	Output [kW]	Return water temp. [°C]	Water flow [l/s]	Pressure drop [kPa]	Output *2 [kW]	Outlet air temp. [°C]	Water flow [l/s]	Pressure drop [kPa]
AR4210WLL	max	2500	12,0	30	0,15	3,2	11,9	31,9	0,14	3,1
	min	1100	5,1	27	0,05	0,6	6,4	35,1	0,08	1,1
AR4215WLL	max	3600	17,0	28	0,19	3,1	18,6	33,1	0,22	4,1
	min	1600	7,7	26	0,08	0,7	10	36,4	0,12	1,4
AR4220WLL	max	5200	25,3	30	0,31	2,7	24,9	32,1	0,30	2,6
	min	2300	11,3	28	0,13	0,6	13,2	34,9	0,16	0,8
AR4225WLL	max	6200	30,1	29	0,35	2,9	31,3	32,8	0,38	3,3
	min	2700	12,8	27	0,14	0,6	16,4	35,8	0,20	1

			Supply water temperature: 45 °C Room temperature: +18 °C Outlet air temperature: +32 °C*1				Water temperature: 45/35 °C Room temperature: +18 °C			
Type	Fan position	Airflow [m³/h]	Output [kW]	Return water temp. [°C]	Water flow [l/s]	Pressure drop [kPa]	Output *2 [kW]	Outlet air temp. [°C]	Water flow [l/s]	Pressure drop [kPa]
AR4210WLL	max	2500	12,8	32	0,24	7,6	14,4	33,7	0,35	14,7
	min	1100	5,2	28	0,07	1,0	7,3	37,5	0,18	4,5
AR4215WLL	max	3600	17,4	30	0,29	6,4	20,8	34,9	0,50	17
	min	1600	7,8	27	0,11	1,1	11,1	38,3	0,27	5,6
AR4220WLL	max	5200	25,7	32	0,48	5,8	29	34,3	0,70	11,5
	min	2300	11,0	28	0,16	0,9	15,5	37,7	0,37	3,8
AR4225WLL	max	6200	29,6	30	0,49	5,2	35,6	34,8	0,86	14,4
	min	2700	13,3	28	0,19	1,0	18,7	38,3	0,45	4,5

			Supply water temperature: 40 °C Room temperature: +18 °C Outlet air temperature: +32 °C*1				Water temperature: 40/30 °C Room temperature: +18 °C			
Type	Fan position	Airflow [m³/h]	Output [kW]	Return water temp. [°C]	Water flow [l/s]	Pressure drop [kPa]	Output *2 [kW]	Outlet air temp. [°C]	Water flow [l/s]	Pressure drop [kPa]
AR4210WLL	max	2500	11,9	34	0,46	24,6	10,1	29,9	0,24	8
	min	1100	5,1	29	0,11	1,9	5,5	32,6	0,13	2,7
AR4215WLL	max	3600	17,2	32	0,55	20,7	15,5	30,6	0,37	10,4
	min	1600	7,8	29	0,17	2,5	8,3	33,3	0,20	3,5
AR4220WLL	max	5200	24,1	32	0,77	14,1	21,4	30,1	0,52	6,8
	min	2300	10,6	29	0,23	1,6	11,5	32,7	0,28	2,3
AR4225WLL	max	6200	29,6	32	0,95	17,6	26,5	30,5	0,64	8,6
	min	2700	13,0	29	0,28	1,9	14	33,2	0,34	2,7

\*1) Recommended outlet air temperature for good comfort and optimized output.

\*2) Nominal output at given supply and return water temperature.

## Technical specifications

### ✦ Ambient, no heat - AR4200 A

Type	Output [kW]	Airflow* <sup>1</sup> [m <sup>3</sup> /h]	Sound power* <sup>2</sup> [dB(A)]	Sound pressure* <sup>3</sup> [dB(A)]	Voltage Amperage (control)	Length [mm]	Weight [kg]
AR4210A	0	1150/2800	76	40/60,5	230V~/4,1 A	1021	50
AR4215A	0	1650/3900	78	42/62	230V~/5,2 A	1530	70
AR4220A	0	2350/5600	79	44/63	230V~/8,1 A	2021	93
AR4225A	0	2850/6700	80	45/64	230V~/9,3 A	2533	118

### ⚡ Electrical heat - AR4200 E

Type	Output steps [kW]	Airflow* <sup>1</sup> [m <sup>3</sup> /h]	$\Delta t$ * <sup>4</sup> [°C]	Sound power* <sup>2</sup> [dB(A)]	Sound pressure* <sup>3</sup> [dB(A)]	Voltage Amperage (control)	Voltage Amperage (heat)	Length [mm]	Weight [kg]
AR4210E12	3,9/7,8/12	1150/2800	31/13	76	40/60,5	230V~/4,1 A	400 V3~/17 A	1021	58
AR4215E18	6,0/12/18	1650/3900	33/14	78	42/62	230V~/5,2 A	400 V3~/26 A	1530	81
AR4220E24	7,8/15/23	2350/5600	31/13	79	44/63	230V~/8,1 A	400 V3~/34 A	2021	107
AR4225E30	9,9/20/30	2850/6700	32/13	80	45/64	230V~/9,3 A	400 V3~/43 A	2533	137

### 💧 Water heat - AR4200 W

Type	Output* <sup>5</sup> [kW]	Airflow* <sup>1</sup> [m <sup>3</sup> /h]	$\Delta t$ * <sup>4,5</sup> [°C]	Water volume [l]	Sound power* <sup>2</sup> [dB(A)]	Sound pressure* <sup>3</sup> [dB(A)]	Voltage [V]	Amperage [A]	Length [mm]	Weight [kg]
AR4210W	17	1100/2700	24/18	1,9	76	40/60	230V~	4,0	1021	57
AR4215W	25	1600/3800	25/19	3,0	76	42/60,5	230V~	5,5	1530	78
AR4220W	35	2300/5500	25/19	4,0	78	43/62	230V~	8,0	2021	105
AR4225W	44	2700/6500	26/20	5,1	78	45/62,5	230V~	9,6	2533	134

### 💧 Water heat - AR4200 WLL, coil for very low temperature water ( $\leq 60$ °C)

Type	Output* <sup>6</sup> [kW]	Airflow* <sup>1</sup> [m <sup>3</sup> /h]	$\Delta t$ * <sup>4,6</sup> [°C]	Water volume [l]	Sound power* <sup>2</sup> [dB(A)]	Sound pressure* <sup>3</sup> [dB(A)]	Voltage [V]	Amperage [A]	Length [mm]	Weight [kg]
AR4210WLL	10	1100/2500	15/12	3,1	76	40/60	230V~	3,8	1021	58
AR4215WLL	15	1600/3600	15/12	4,7	76	42/60,5	230V~	5,2	1530	80
AR4220WLL	21	2300/5200	15/12	7,5	78	43/62	230V~	7,6	2021	107
AR4225WLL	26	2700/6200	15/12	9,6	78	45/62,5	230V~	9,1	2533	137

\*<sup>1</sup>) Lowest/highest airflow of totally 5 fan steps.

\*<sup>2</sup>) Sound power ( $L_{WA}$ ) measurements according to ISO 27327-2: 2014, Installation type E.

\*<sup>3</sup>) Sound pressure ( $L_{pA}$ ). Conditions: Distance to the unit 5 metres. Directional factor: 2. Equivalent absorption area: 200 m<sup>2</sup>. At lowest/highest airflow.

\*<sup>4</sup>)  $\Delta t$  = temperature rise of passing air at maximum heat output and lowest/highest airflow.

\*<sup>5</sup>) Applicable at water temperature 60/40 °C, air temperature, in +18 °C.

\*<sup>6</sup>) Applicable at water temperature 40/30 °C, air temperature, in +18 °C.

Protection class: IP20.

CE compliant.

#### Get In Touch

Call: 0845 6880112  
Email: [info@adremit.co.uk](mailto:info@adremit.co.uk)

#### Our Address

Puravent, Adremit Limited, Unit 5a, Commercial Yard,  
Settle, North Yorkshire, BD24 9RH



## Assembly and operating instructions

### General Instructions

Read these instructions carefully before installation and use. Keep this manual for future reference.

*The product may only be used as set out in the assembly and operating instructions. The guarantee is only valid if the product is used in the manner intended and in accordance with the instructions.*

### Application area

AR4200 is an air curtain for recessed mounting. The air curtain is available without heat, with electrical heating and with water heating. Recommended installation height 4,2 m.

Protection class: IP20.

### Operation

Air is drawn in from underneath and blown out downwards so that it protects the door opening and minimizes heat loss. To achieve the optimum curtain effect the unit must extend the full width of the opening.

The grille for directing exhaust air is adjustable and is normally angled outwards to achieve the best protection against incoming air.

The efficiency of the air curtain depends on the air temperature, pressure differences across the doorway and any wind pressure.

*NOTE! Negative pressure in the building considerably reduces the efficiency of the air curtain. The ventilation should therefore be balanced.*

### Mounting

The air curtain is installed horizontally with the supply air grille facing downwards as close to the door as possible, concealed in the false ceiling. The only visible part of the unit is the underside which is level with the ceiling. The service hatch must be accessible, nothing should prevent it being fully opened.

The unit is ready for suspension with threaded bars on its outside. The threaded bars can also be fixed on the inside of the unit e.g. when mounted on a solid suspended ceiling.

For the protection of wider doorways, several units can be mounted next to each other. Minimum distance from outlet to floor for electrically heated units is 1800 mm.

*Mounting on threaded bars outside the unit*  
See pages 4-5.

1. The mounting brackets are fixed to the unit during transport. Slacken these, turn them around and screw into place on the unit according to fig. 1a.
2. Hang on threaded bars (M8) according to fig. 1b (accessory).
3. Adjust the height using the lower nut so that the frame is in level with the ceiling. Lock using the upper nut.

*Mounting on threaded bars inside the unit*  
See pages 6-7.

1. Hang on threaded bars (M8) according to fig. 2 (accessory).
2. Adjust the height using the lower nut so that the frame is in level with the ceiling. Lock using the upper nut.

### Electrical installation



The installation, which should be preceded by an omnipolar switch with a contact separation of at least 3 mm, should only be wired by a competent electrician and in accordance with the latest edition of IEE wiring regulations. The control system is pre-installed in the air curtain with an integrated control card. SIRE is supplied pre-programmed with quick-fit connections. Modular cables are connected to the control board. Fig. 4 . See manual for SIRE.

1. The service hatch is opened by loosening the snap fixings located on the bottom of the unit (turn 90°). Fig. 3 .
2. The unit is connected via the cable gland on one side of the unit or its top.

*Unit without heating or with water heating*

Connected via the built-in SIRE control board with cord without plug (in the terminal box at delivery).

#### Get In Touch

 Call: 0845 6880112  
 Email: [info@adremit.co.uk](mailto:info@adremit.co.uk)

#### Our Address

Puravent, Adremit Limited, Unit 5a, Commercial Yard, Settle, North Yorkshire, BD24 9RH

### Unit with electrical heating

Control is supplied by 230V~ and the cable is routed from the built-in SIRE control board. The power supply for heating (400V3~) is connected to the terminal block in the terminal box.



Note! If you want to divide the output between two connection points, the series cabling must first be removed (AR4220/25, 2x400V3~). See wiring diagrams.

The largest cable diameter for the terminal block is 16 mm<sup>2</sup>. The cable glands used must meet the protection class requirements. In the distribution board it is to be indicated that "the air curtains can be supplied from more than one connection".

Type	Output [kW]	Voltage [V]	Minimum area* [mm <sup>2</sup> ]
Control	0	230V~	1,5
AR4210E	12	400V3~	4
AR4215E	18	400V3~	10
AR4220E	24	400V3~	10
AR4225E	30	400V3~	16
AR4220E* <sup>1</sup>	12	400V3~	4
	12	400V3~	4
AR4225E* <sup>1</sup>	12	400V3~	4
	18	400V3~	10

\*<sup>1</sup>) 2 m and 2.5 m units can be connected with two power supplies. The 2.5 m unit has electric coils with two different outputs, and the coil to the left, on the horizontal unit, viewed from inside the premises, has the highest output.

\*) Dimensioning of external wiring shall comply with applicable regulations and local deviations may occur.

### Start-up (E)

When the unit is used for the first time or after a long period of disuse, smoke or odour may result from dust or dirt that has collected on the element. This is completely normal and disappears after a short time.

### Connecting the water coil (W)

The installation must be carried out by an authorised installer.

The water coil has copper tubes with

aluminium fins and is suitable for connection to a closed water heating system. The heating coil must not be connected to a mains pressure water system or an open water system.

Note that the unit shall be preceded by a regulating valve, see Frico valve kit.

The connections to the heating coil must be equipped with shut off valves to allow problem free removal. Water coil is equipped with a drain and a vent valve. The water coil is connected via connections with dimensions DN20 (3/4"), inside thread, inside the unit. Knockouts are placed on the top and the side of the unit.

Hoses are mounted via cable glands at knockouts to protect the hose and prevent air leakage. Fig. 5

NOTE: Care must be taken when connecting the pipes. Use a wrench or similar to hold the air curtain connections to prevent straining of the pipes and subsequent water leakage during connection to water supply pipe-work.

### Adjustment of the air curtain and air flow

The direction and speed of the air flow should be adjusted considering the load on the opening. Pressure forces affect the air stream and make it bend inwards into the premises (when the premises are heated and the outdoor air is cold).

The air stream should therefore be directed outwards to withstand the load. Generally speaking, the higher the load, the greater the angle that is needed.

### Basic setting fan speed

The fan speed when the door is open is set using the control. Note that the air flow direction and fan speed may need fine adjustment depending on the loading of the door.

### Filter (W)

The water coil is protected against dirt and blockage by an internal air filter which covers the coil face.



**Service, repairs and maintenance**

For all service, repair and maintenance first carry out the following:

1. Disconnect the power supply.
2. The service hatch is opened by loosening the snap fixings located on the bottom of the unit (turn 90°). Fig. 3 .
3. After service, repairs and maintenance close the service hatch and make sure that the snap fixings lock properly.

**Maintenance**

Since fan motors and other components are maintenance free, no maintenance other than cleaning is necessary. The level of cleaning can vary depending on local conditions. Undertake cleaning at least twice a year. Inlet and exhaust grilles, impeller and elements can be vacuum cleaned or wiped using a damp cloth. Use a brush when vacuuming to prevent damaging sensitive parts. Avoid the use of strong alkaline or acidic cleaning agents.

**Overheating**

The air curtain unit with electric heater is equipped with an overheat protector. If it is deployed due to overheating, reset as follows:

1. Disconnect the electricity with the fully isolated switch.
2. Determine the cause of overheating and rectify the fault.
3. Open the service hatch. Locate the red button next to the terminal box inside the air curtain. The 2 and 2.5 metre units are equipped with two red buttons, one on the outside of each terminal box.
4. Press the red button until a click is heard.
5. Connect the unit again.

All motors are equipped with an integral thermal safety cut-out. This will operate, stopping the air curtain should the motor temperature rise too high. The cut-out will automatically reset when the motor temperature has returned to within the motor's operating limits.

**Temperature control**

Temperature control of SIRE maintains the exhaust temperature. If the temperature should exceed anyway the overheating alarm goes off. For more information see the manual for SIRE.

**Fan replacement**

1. Determine which of the fans is not functioning.
2. Disconnect the cables to the relevant fan.
3. Remove the screws securing the fan and lift the fan out.
4. Install the new fan as above in reverse order.

**Replacing heating elements/heating package (E)**

1. Mark and disconnect the cables to the heating elements/package
2. Remove the mounting screws securing the heating elements/package in the unit and lift the heating elements/package out.
3. Install the new heating elements/package in reverse order to the above.



**Replacing the water coil (W)**

1. Shut off the water supply to the unit.
2. Open the vent valve.
3. Open the drain valve.
4. When the water coil is empty, disconnect its connections.
5. Remove the mounting screws securing the coil in the unit and lift the coil out.
6. Install the new coil in reverse order to the above.

**Draining the water coil (W)**

The drain valve is on the underside of the coil on the connector side. It can be accessed via the service hatch.

**Get In Touch**

 Call: 0845 6880112  
 Email: [info@adremit.co.uk](mailto:info@adremit.co.uk)

**Our Address**

Puravent, Adremit Limited, Unit 5a, Commercial Yard, Settle, North Yorkshire, BD24 9RH

### Trouble shooting

*If the fans are not working or do not blow properly, check the following:*

- That the intake grille/filter is not dirty.
- Functions and settings of the SIRE control system, see manual for SIRE.

*If there is no heat, check the following:*

- Functions and settings of the SIRE control system, see manual for SIRE.

*For units with electrical heating, also check the following:*

- Power supply to electric heater coil; check fuses and circuit-breaker (if any).
- That the overheat protection for the motors has not been deployed.

*For units with water coil, also check the following:*

- That the water coil is air free.
- That there is enough water flow.
- That incoming water is heated enough.

If the fault cannot be rectified, please contact a qualified service technician.

### Residual current circuit breaker (E)

When the installation is protected by means of a residual current circuit breaker, which trips when the appliance is connected, this may be due to moisture in the heating element. When an appliance containing a heater element has not been used for a long period or stored in a damp environment, moisture can enter the element.

This should not be seen as a fault, but is simply rectified by connecting the appliance to the main supply via a socket without a safety cut-out, so that the moisture can be eliminated from the element. The drying time can vary from a few hours to a few days. As a preventive measure, the unit should occasionally be run for a short time when it is not being used for extended periods of time.

### Safety

- For all installations of electrically heated products should a residual current circuit breaker 300 mA for fire protection be used.
- Keep the areas around the air intake and exhaust grilles free from possible obstructions!
- The unit may have hot surfaces during operation and when cooling down!
- The unit must not be fully or partially covered with clothing, or similar materials, as overheating can result in a fire risk! (E)
- Lifting equipment must be used to lift the unit.
- This appliance can be used by children aged from 8 years and above and persons with reduced physical, sensory or mental capabilities or lack of experience and knowledge if they have been given supervision or instruction concerning use of the appliance in a safe way and understand the hazards involved. Children shall not play with the appliance. Cleaning and user maintenance shall not be made by children without supervision.

#### Get In Touch

Call: 0845 6880112  
Email: [info@adremit.co.uk](mailto:info@adremit.co.uk)



#### Our Address

Puravent, Adremit Limited, Unit 5a, Commercial Yard, Settle, North Yorkshire, BD24 9RH



#### Get In Touch

---

 **Call:** [0845 6880112](tel:08456880112)  
 **Email:** [info@adremit.co.uk](mailto:info@adremit.co.uk)

#### Our Address

---

Puravent, Adremit Limited, Unit 5a, Commercial Yard,  
Settle, North Yorkshire, BD24 9RH









#### Get In Touch

---

 **Call:** [0845 6880112](tel:08456880112)  
 **Email:** [info@adremit.co.uk](mailto:info@adremit.co.uk)

#### Our Address

---



Puravent, Adremit Limited, Unit 5a, Commercial Yard,  
Settle, North Yorkshire, BD24 9RH





#### Get In Touch

---

 **Call:** [0845 6880112](tel:08456880112)  
 **Email:** [info@adremit.co.uk](mailto:info@adremit.co.uk)

#### Our Address

---

Puravent, Adremit Limited, Unit 5a, Commercial Yard,  
Settle, North Yorkshire, BD24 9RH





**Main office**



Frico AB  
Box 102  
SE-433 22 Partille  
Sweden

Tel: +46 31 336 86 00  
mailbox@frico.se  
www.frico.se

**For latest updated information and information  
about your local contact: [www.frico.se](http://www.frico.se)**

Art.no 135884, 20170601 HH/CH

**Get In Touch**

 **Call:** [0845 6880112](tel:08456880112)  
 **Email:** [info@adremit.co.uk](mailto:info@adremit.co.uk)

**Our Address**

Puravent, Adremit Limited, Unit 5a, Commercial Yard,  
Settle, North Yorkshire, BD24 9RH

