



## AR3200C

Recessed air curtain for commercial premises, with remote and integrated control

Recommended installation height :  
AR3200CA/E: 3,2 m  
AR3200CW: 2,8 m

AR3200C is a compact air curtain intended for recessed mounting in commercial buildings and small industrial entrances.



Optimized airflow with Thermozone technology.

- Remote control and integrated regulation.
- 3 fan steps and 2 electrical heating steps.
- Reduced dimensions and integrated frame.
- Mounting with threaded bars. The threaded bars can also be fixed on the inside of the unit e.g. when mounted on a solid suspended ceiling.
- Corrosion proof frame and hatch made of hot zinc-plate and powder enamelled steel panels. Colour frame and hatch: white, RAL 9016, NCS S 0500-N. Colour grille: grey, RAL 7046. The frame and hatch can be painted in an optional colour. Non visible parts made of hot zinc plated steel panels.

### ☼ Ambient, no heat - AR3200C A (IP21)

Type	Output [kW]	Airflow* <sup>1</sup> [m <sup>3</sup> /h]	Sound power* <sup>2</sup> [dB(A)]	Sound pressure* <sup>3</sup> [dB(A)]	Voltage motor [V]	Amperage motor [A]	Length [mm]	Weight [kg]
AR3210CA	0	1000/1800	73	43/57	230V~	0,7	1078	29
AR3215CA	0	1600/2900	73	43/57	230V~	1,3	1588	40
AR3220CA	0	2100/3900	76	44/60	230V~	1,6	2078	55

### ⚡ Electrical heat - AR3200C E (IP20)

Type	Output steps [kW]	Airflow* <sup>1</sup> [m <sup>3</sup> /h]	Δt* <sup>4</sup> [°C]	Sound power* <sup>2</sup> [dB(A)]	Sound pressure* <sup>3</sup> [dB(A)]	Voltage motor [V]	Amperage motor [A]	Voltage[V] Amperage [A] (heat)	Length [mm]	Weight [kg]
AR3210CE03	2/3	1000/1800	9/5	73	43/57	230V~	0,7	230V~/13	1078	30
AR3210CE05	3,3/5	1000/1800	15/8	73	43/57	230V~	0,7	230V~/21,7 400V3N~/7,2	1078	30
AR3210CE08	5/8	1000/1800	24/13	73	43/57	230V~	0,7	400V3N~/11,6	1078	31
AR3215CE08	4/8	1600/2900	15/8	73	43/57	230V~	1,3	400V3N~/11,6	1588	41
AR3215CE12	8/12	1600/2900	22/12	73	43/57	230V~	1,3	400V3N~/17,3	1588	42
AR3220CE10	5/10	2100/3900	14/8	76	44/60	230V~	1,6	400V3N~/14,5	2078	57
AR3220CE16	10/16	2100/3900	23/12	76	44/60	230V~	1,6	400V3N~/23,1	2078	59

### 💧 Water heat - AR3200C W (IP21)

Type	Output* <sup>5</sup> [kW]	Airflow* <sup>1</sup> [m <sup>3</sup> /h]	Δt* <sup>4,5</sup> [°C]	Water volume [l]	Sound power* <sup>2</sup> [dB(A)]	Sound pressure* <sup>3</sup> [dB(A)]	Voltage motor [A]	Amperage motor [A]	Length [mm]	Weight [kg]
AR3210CW	8,2	1000/1500	19/16	1,1	69	44/53	230V~	0,6	1078	30
AR3215CW	14	1700/2600	19/16	1,7	72	48/56	230V~	1,0	1588	41
AR3220CW	18	2500/3150	18/17	2,3	72	50/56	230V~	1,2	2078	56

\*<sup>1</sup>) Lowest/highest airflow of totally 3 fan steps.

\*<sup>2</sup>) Sound power (L<sub>WA</sub>) measurements according to ISO 27327-2: 2014, Installation type E.

\*<sup>3</sup>) Sound pressure (L<sub>pA</sub>). Conditions: Distance to the unit 5 metres. Directional factor: 2. Equivalent absorption area: 200 m<sup>2</sup>. At lowest/highest airflow.

\*<sup>4</sup>) Δt = temperature rise of passing air at maximum heat output and lowest/highest airflow.

\*<sup>5</sup>) Applicable at water temperature 60/40 °C, air temperature, in +18 °C.

\*) Recommended installation height varies depending on the relevant premises.

### Get In Touch

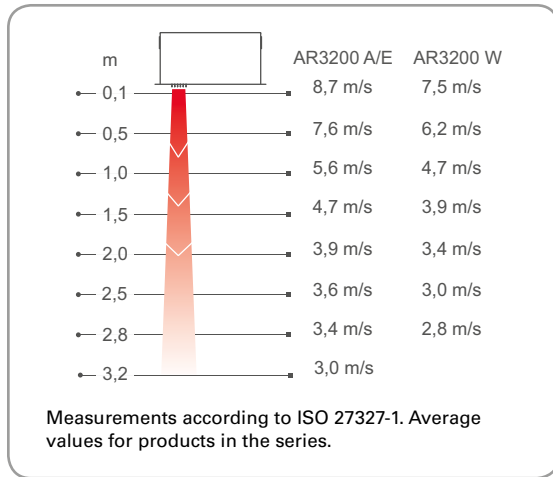
Call: 0845 6880112  
Email: [info@adremit.co.uk](mailto:info@adremit.co.uk)

### Our Address

Puravent, Adremit Limited, Unit 5a, Commercial Yard,  
Settle, North Yorkshire, BD24 9RH

# AR3200C

## Air velocity profile



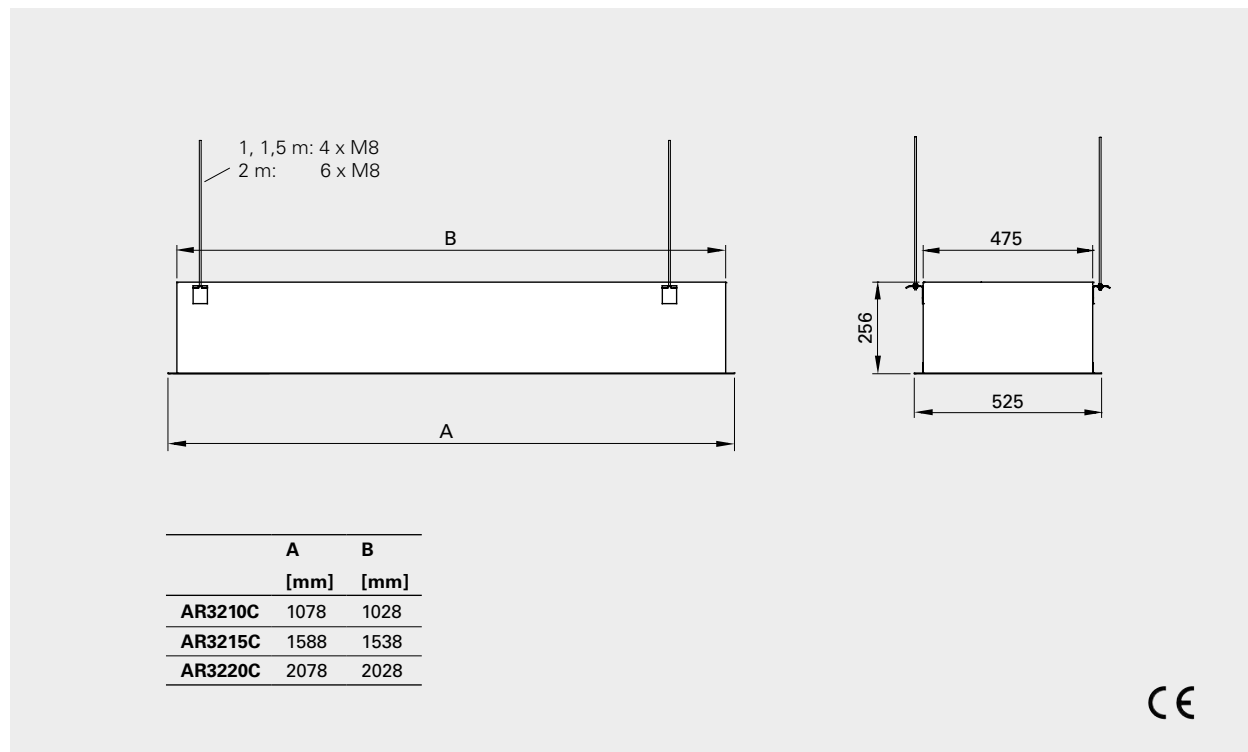
## Control

The control system is integrated in the air curtain. The air curtain can be regulated with a remote control or by the control panel placed inside the service hatch. The air speed is set manually. The heat is controlled automatically.



Door switch control PA2DR is available as an accessory for a door switch function. Possibility of using external on/off.

## Dimensions



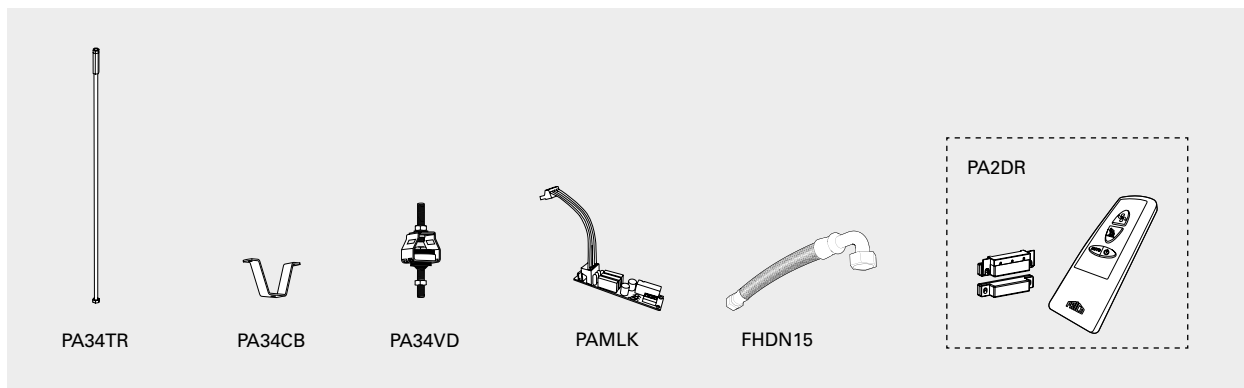
### Get In Touch

Call: 0845 6880112  
Email: [info@adremit.co.uk](mailto:info@adremit.co.uk)

### Our Address

Puravent, Adremit Limited, Unit 5a, Commercial Yard, Settle, North Yorkshire, BD24 9RH

## Accessories

**PA34TR, threaded bars**

Threaded bars for installing unit on to a ceiling. Length 1 m. Used together with ceiling brackets (PA34CB). Supplemented with vibration dampers (PA34VD) for reduced vibration.

**PA34CB, ceiling brackets**

Ceiling brackets for installing the unit from the ceiling using wires or threaded bars (not included). Best combined with vibration dampers (PA34VD) when using threaded bars.

**PA34VD, vibration dampers**

Reduces vibrations for ceiling installations with threaded bars.

**PAMLK, motor alarm board**

Accessory allows connection for a motor alarm signal in units where this facility is not already available. PAMLK plugs between motor wiring harness and main PC board. For units with SIRE control (PA2500, AR3200) connection enables use of the provided motor protection terminals. For units without SIRE (PA2200/3200C, AR3200C), use potential free contact on PAMLK board.

**FHDN15, flexible hoses**

Flexible hoses for easy and practical installation of water heated unit. DN15.

**PA2DR, door switch control**

Contains a door switch for door indication and a special remote control intended to activate auto mode in the unit.

Valve kit VOT or VLSP is used to control the water flow. For more information see the "Controls" section.

Type	Description	Quantity included	Length
<b>PA34TR15</b>	Threaded bars for 1 and 1,5 metre units	4	1 m
<b>PA34TR20</b>	Threaded bars for 2 metre units	6	1 m
<b>PA34CB15</b>	Ceiling brackets for 1 and 1,5 metre units	4	
<b>PA34CB20</b>	Ceiling brackets for 2 metre units	6	
<b>PA34VD15</b>	Vibration dampers for 1 and 1,5 metre units	4	
<b>PA34VD20</b>	Vibration dampers for 2 metre units	6	
<b>PAMLK</b>	Motor alarm board		
<b>FHDN15</b>	Flexible hoses DN15, inside thread, 90° bend	2	1 m
<b>PA2DR</b>	Door switch control		

For mounting, connection, wiring diagrams and other technical information, please see the manual.

## Get In Touch

Call: 0845 6880112  
Email: [info@adremit.co.uk](mailto:info@adremit.co.uk)

## Our Address

Puravent, Adremit Limited, Unit 5a, Commercial Yard,  
Settle, North Yorkshire, BD24 9RH