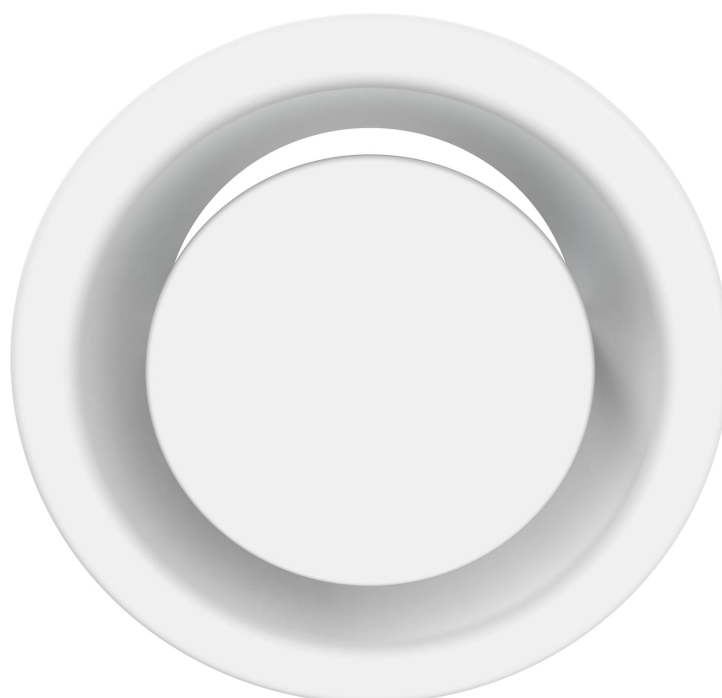




Handbook

EFF

Extract Valve



Get In Touch



Call: [0845 6880112](tel:08456880112)



Email: info@adremit.co.uk

Our Address

Puravent, Adremit Limited, Unit 5a, Commercial Yard,
Settle, North Yorkshire, BD24 9RH



Table of Contents

Description	3
Dimensions & Weights	5
Ordering Codes	6
Accessory	7
Quick Selection	8
Technical Parameters	9
Installation	11
Transport, Storage and Operation	17
Supplement	18

Get In Touch

 **Call:** [0845 6880112](tel:08456880112)
 **Email:** info@adremit.co.uk

Our Address

Puravent, Adremit Limited, Unit 5a, Commercial Yard,
Settle, North Yorkshire, BD24 9RH





Description

The EFF is an air valve. The product is intended for air extract. The product is installed onto ducts in ceilings or walls. The front panel can be adjusted to regulate vent capacity. The field of application is offices, hotels, residential rooms etc.

Highlights

- Easy, precise air flow volume adjustment
- Non-disturbant aesthetic form
- Easy installation

Accessory

- RF-BOR-C (not available for all valve sizes)

Design

EFF is manufactured from galvanized steel sheet. The product consists of a valve housing, duct connection with fixing springs and the adjustable front panel. The front panel is held by the central thread bolt and can be moved by rotating. The gap between the plate and the seat can be adjusted to set the required air flow volume. The product is powder painted to RAL9003 (signal white) as standard. Other RAL colours are available upon request

Get In Touch



Call: [0845 6880112](tel:08456880112)



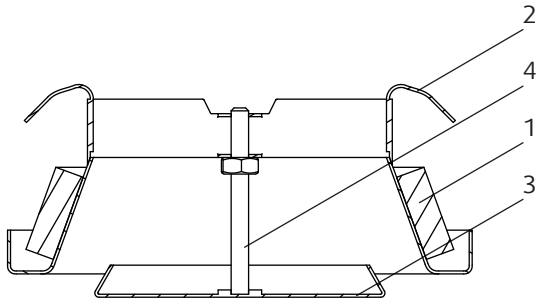
Email: info@adremit.co.uk

Our Address

Puravent, Adremit Limited, Unit 5a, Commercial Yard,
Settle, North Yorkshire, BD24 9RH



Product Parts



Legend

- 1 - Valve housing
- 2 - Fixing springs
- 3 - Front panel
- 4 - Threaded bolt

Get In Touch



Call: [0845 6880112](tel:08456880112)

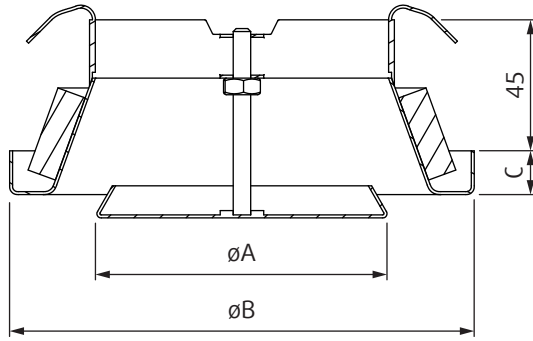


Email: info@adremit.co.uk

Our Address

Puravent, Adremit Limited, Unit 5a, Commercial Yard,
Settle, North Yorkshire, BD24 9RH

Dimensions & Weights



DN	øA	øB	C	m
	mm			kg
80	80	106	15	0,2
100	100	135		0,2
125	125	160		0,3
150	150	191		0,4
160	160	195		0,4
200	200	238	18	0,6

Get In Touch



Call: [0845 6880112](tel:08456880112)



Email: info@adremit.co.uk

Our Address

Puravent, Adremit Limited, Unit 5a, Commercial Yard,
Settle, North Yorkshire, BD24 9RH



Ordering Codes

EFF-

Duct connection nominal dimension

80

100

125

150

160

200

Surface finish¹

SW Signal white (RAL9003, gloss 30%)

RALXXXX Other RAL colour

NOTE:

1. In case the surface finish is not specified in the ordering code, the product will be delivered in RAL9003 signal white.

Example of the Ordering Code

EFF-100-SW

EFF extract valve with nominal dimension 100. In signal white colour (RAL9003).

Get In Touch



Call: [0845 6880112](tel:08456880112)



Email: info@adremit.co.uk

Our Address

Puravent, Adremit Limited, Unit 5a, Commercial Yard,
Settle, North Yorkshire, BD24 9RH

Accessory

RF-BOR-C



Description

RF-BOR-C is a mounting frame. The product enables connection of the duct types that cannot be connected directly to the valve, like e.g. flexible ducts. Also the frame helps fixing the valves to the rigid construction parts like e.g. suspended ceiling.

Design

RF-BOR-C is manufactured from galvanized steel. The product is fitted with fixing straps for fixing the valve to rigid construction parts.

Ordering code

RF-BOR-C-

Dimension

80

100

125

150

160

200

Example of the Ordering Code

RF-BOR-C-100

RF-BOR-C mounting frame with nominal dimension 100.

Get In Touch



Call: [0845 6880112](tel:08456880112)



Email: info@adremmit.co.uk

Our Address

Puravent, Adremmit Limited, Unit 5a, Commercial Yard,
Settle, North Yorkshire, BD24 9RH

Quick Selection

DN	L _{WA}					
	25 dB		30 dB		35 dB	
	m ³ /h	l/s	m ³ /h	l/s	m ³ /h	l/s
80	23	6	31	9	38	11
100	52	14	73	20	90	25
125	82	23	110	31	132	37
150	108	30	144	40	170	47
160	121	34	162	45	191	53
200	152	42	198	55	232	64

Get In Touch



Call: [0845 6880112](tel:08456880112)



Email: info@adremit.co.uk

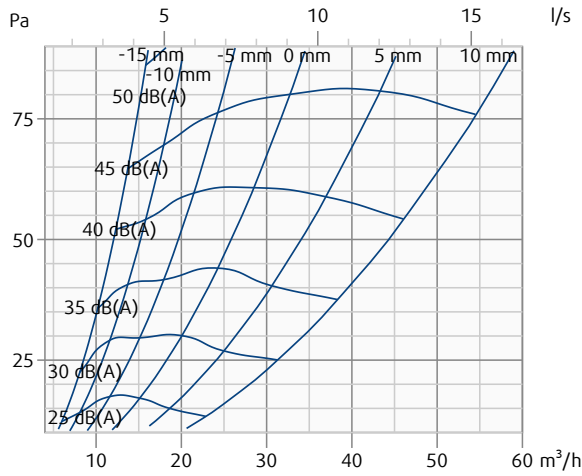
Our Address

Puravent, Adremit Limited, Unit 5a, Commercial Yard,
Settle, North Yorkshire, BD24 9RH

Technical Parameters

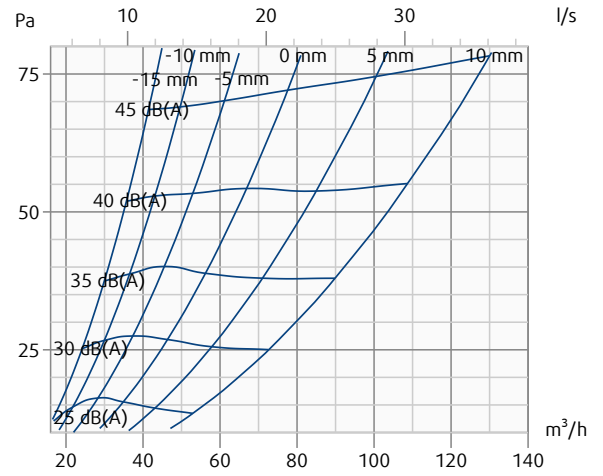
EFF-080-SW

Pressure drop & A-weighted sound power level in dB(A)



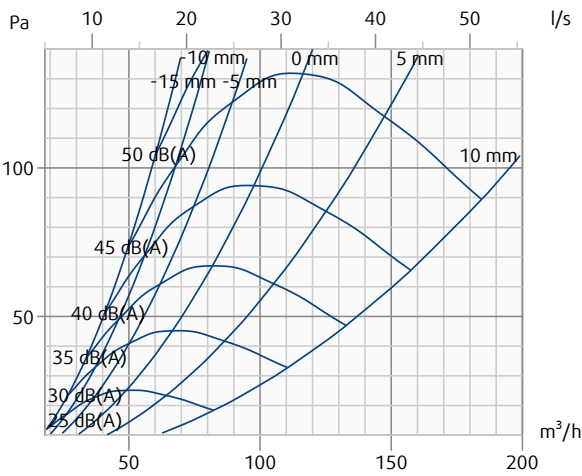
EFF-100-SW

Pressure drop & A-weighted sound power level in dB(A)



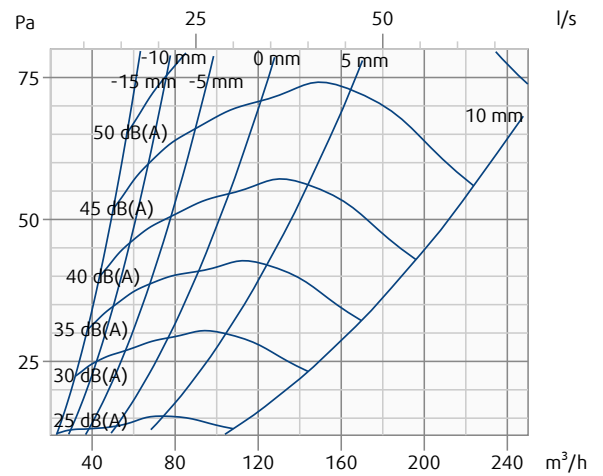
EFF-125-SW

Pressure drop & A-weighted sound power level in dB(A)



EFF-150-SW

Pressure drop & A-weighted sound power level in dB(A)



Get In Touch

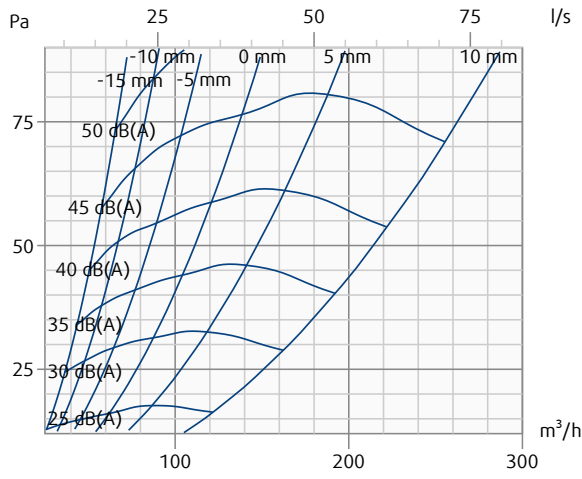
Call: 0845 6880112
Email: info@adremit.co.uk

Our Address

Puravent, Adremit Limited, Unit 5a, Commercial Yard, Settle, North Yorkshire, BD24 9RH

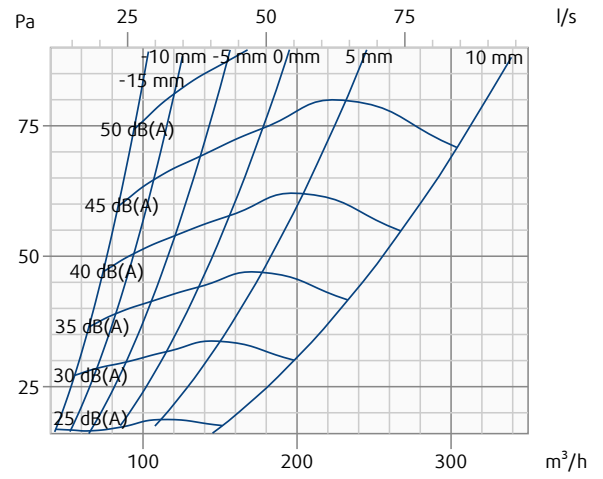
EFF-160-SW

Pressure drop & A-weighted sound power level in dB(A)



EFF-200-SW

Pressure drop & A-weighted sound power level in dB(A)



Get In Touch

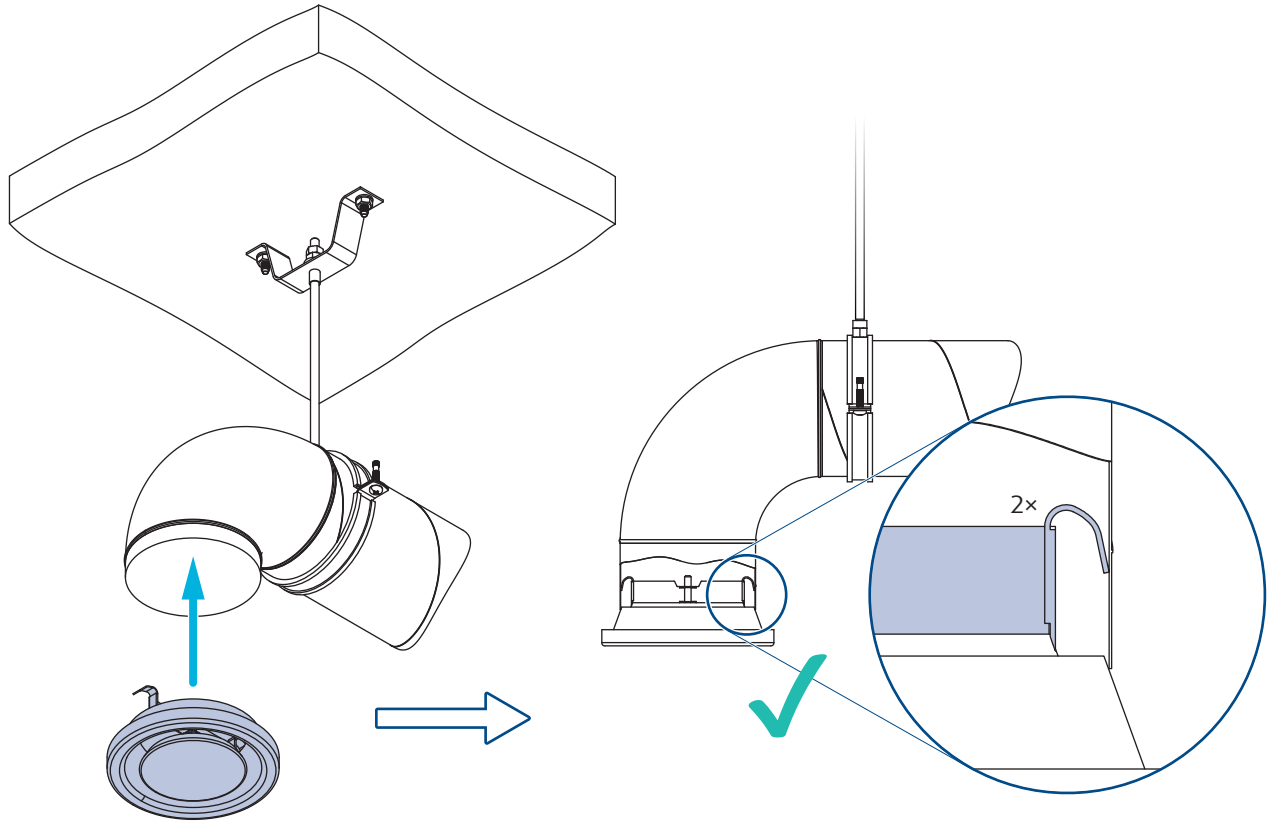
Call: [0845 6880112](tel:08456880112)
Email: info@adremit.co.uk

Our Address



Puravent, Adremit Limited, Unit 5a, Commercial Yard,
Settle, North Yorkshire, BD24 9RH



Installation



Get In Touch

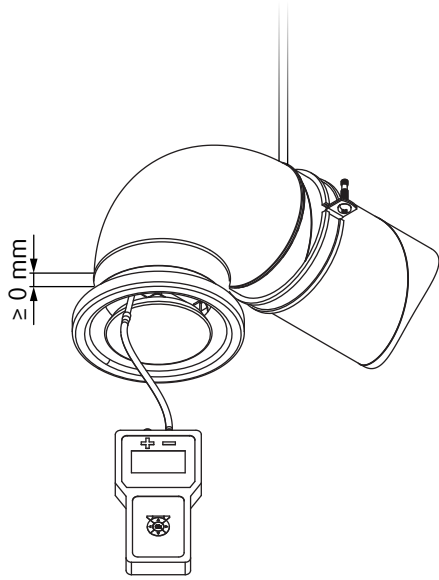
 Call: [0845 6880112](tel:08456880112)
 Email: info@adremit.co.uk

Our Address

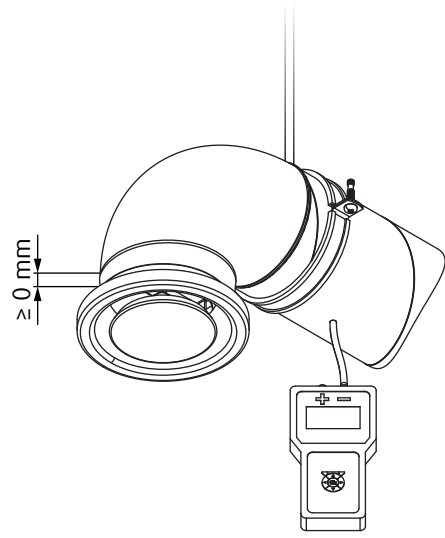
Puravent, Adremit Limited, Unit 5a, Commercial Yard,
Settle, North Yorkshire, BD24 9RH



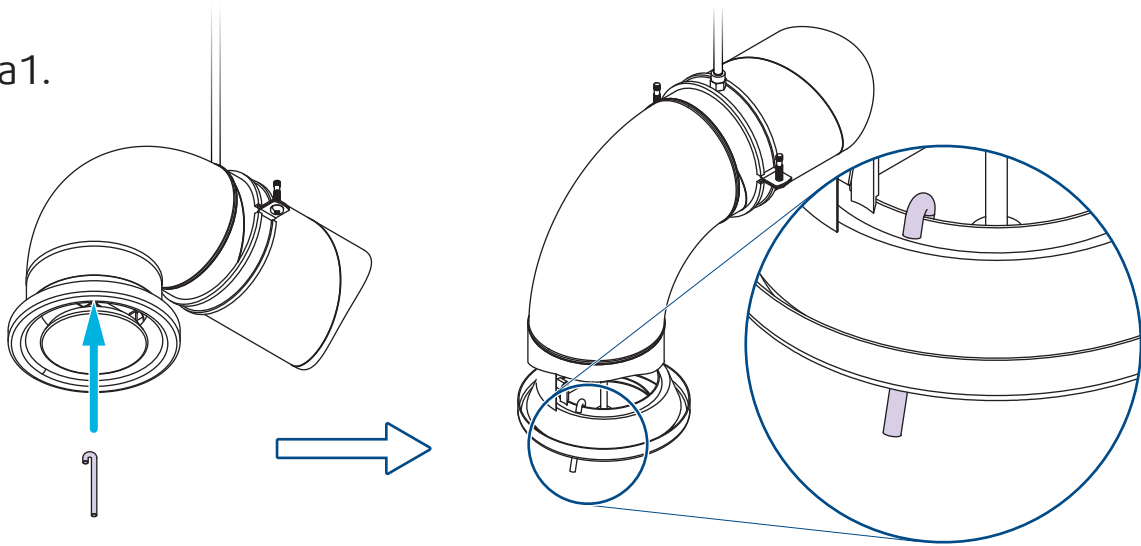
a



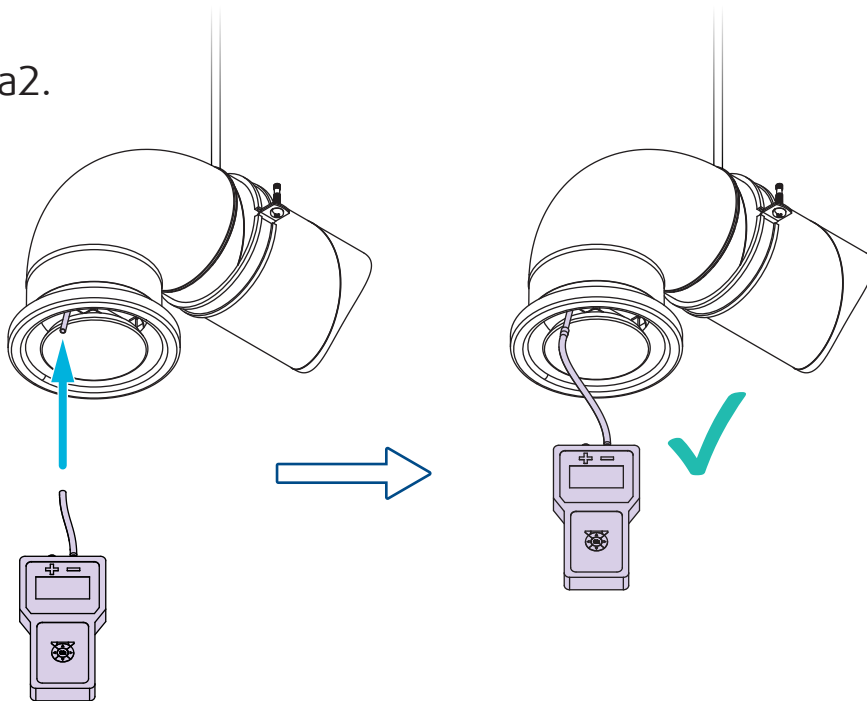
b



a1.



a2.



Get In Touch

Call: 0845 6880112
Email: info@adremit.co.uk

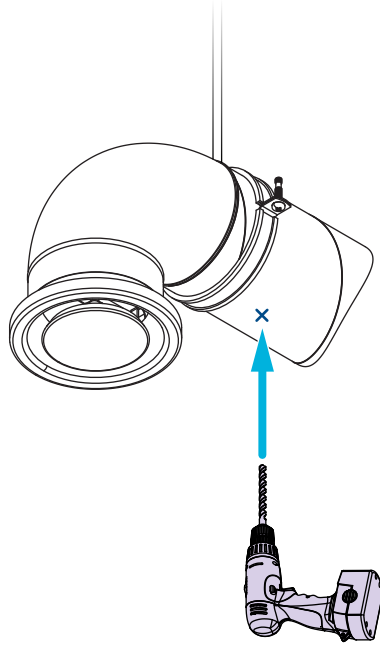
Our Address

Puravent, Adremit Limited, Unit 5a, Commercial Yard,
Settle, North Yorkshire, BD24 9RH

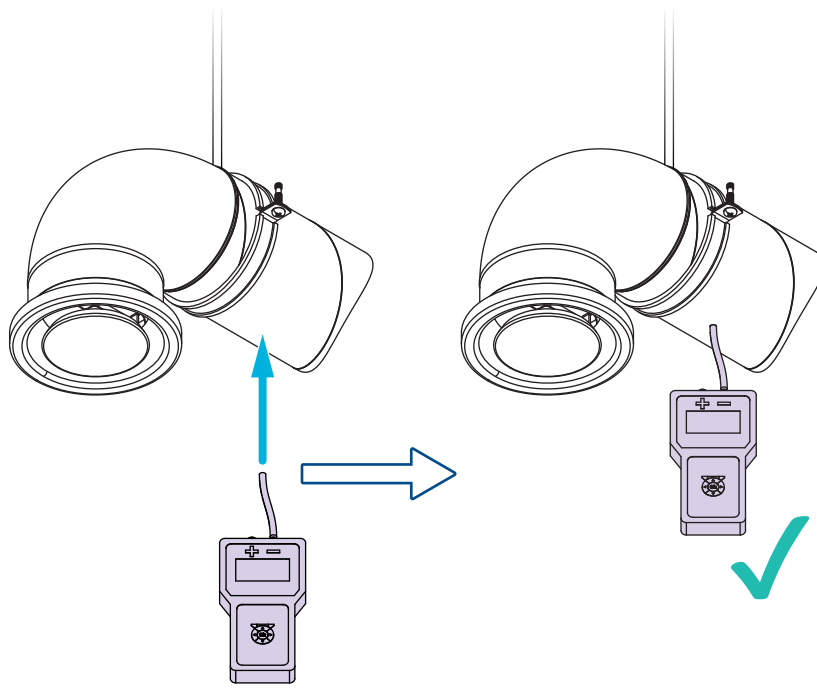






b1.



b2.



Get In Touch

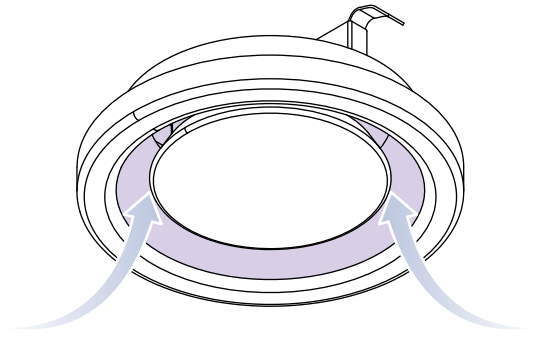
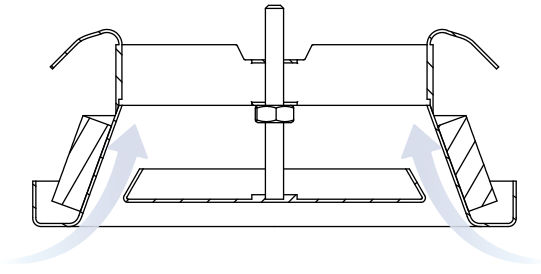
 Call: [0845 6880112](tel:08456880112)
 Email: info@adremit.co.uk

Our Address

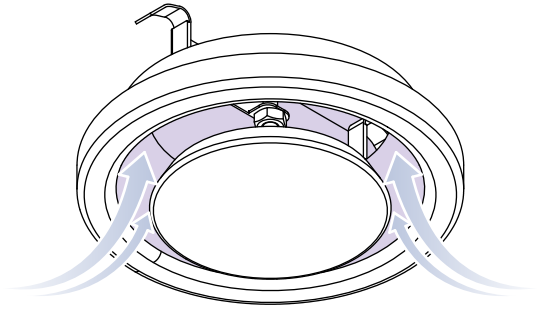
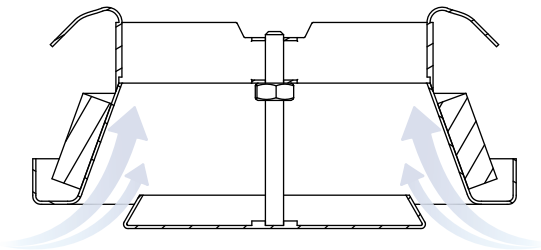
Puravent, Adremit Limited, Unit 5a, Commercial Yard,
Settle, North Yorkshire, BD24 9RH



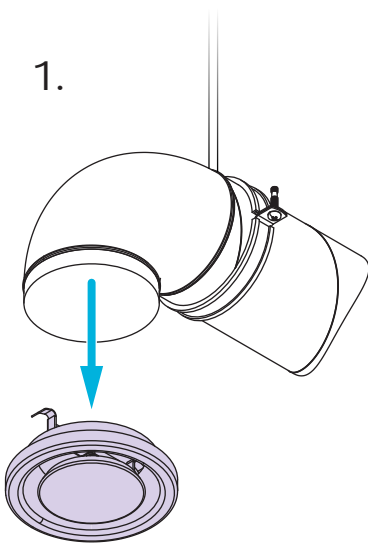
0 mm ... -15 mm



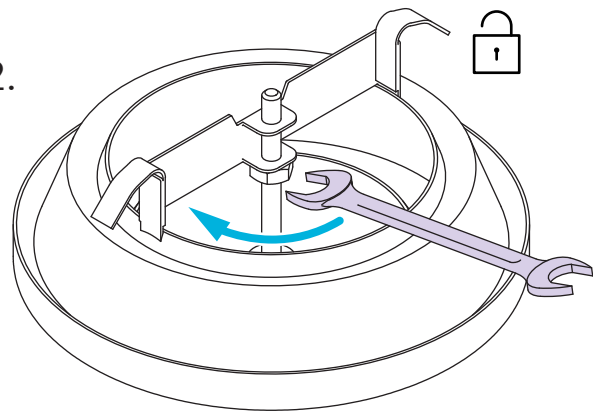
0 mm ... +10 mm



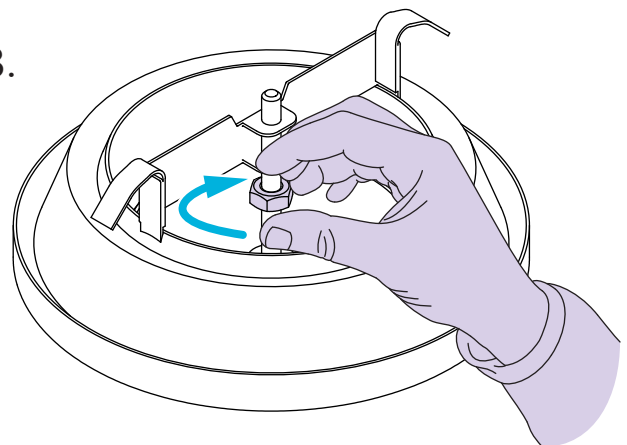
1.



2.



3.



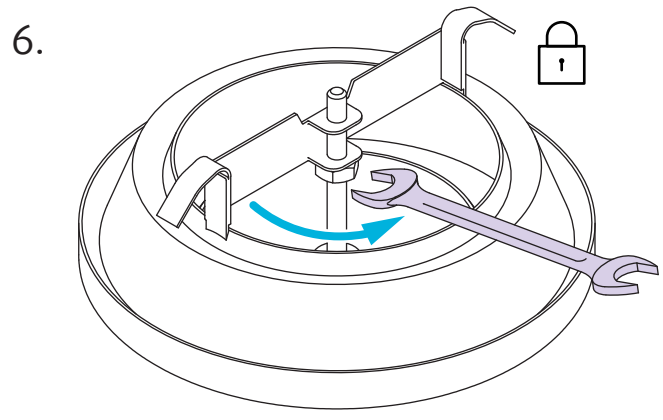
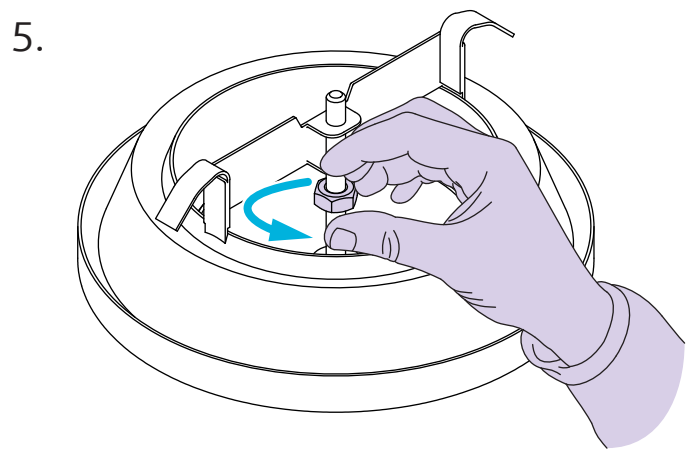
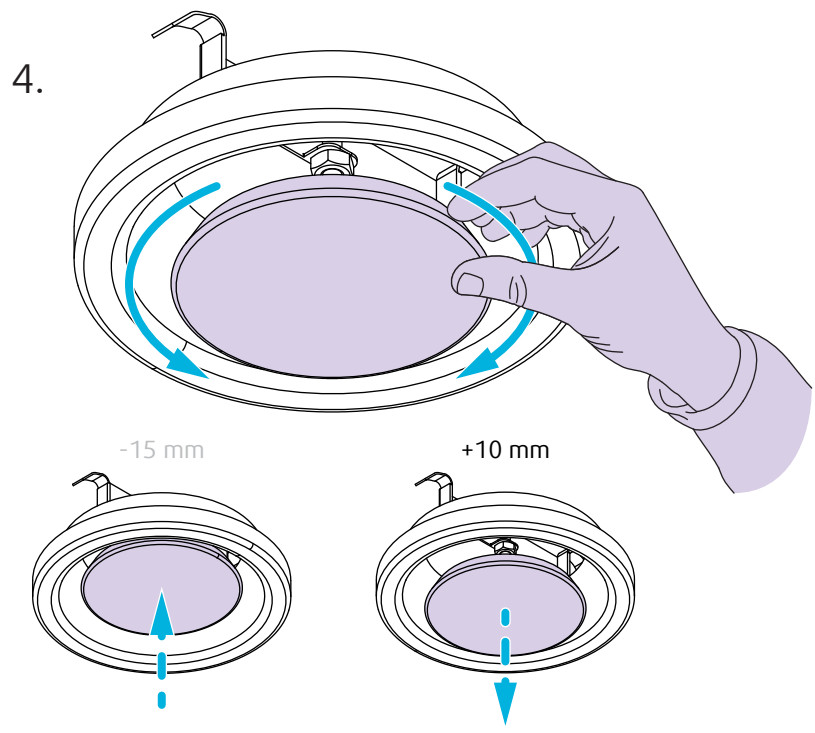
Get In Touch

Call: 0845 6880112
Email: info@adremit.co.uk



Our Address

Puravent, Adremit Limited, Unit 5a, Commercial Yard,
Settle, North Yorkshire, BD24 9RH





Get In Touch

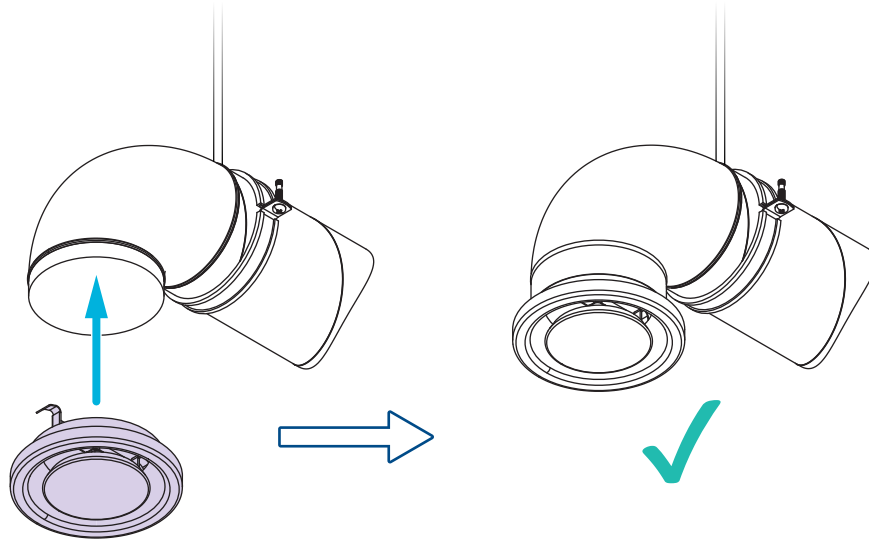
 Call: [0845 6880112](tel:08456880112)
 Email: info@adremit.co.uk

Our Address

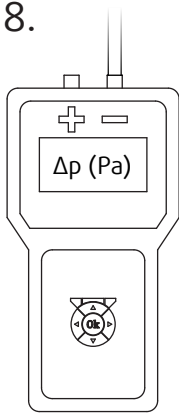
Puravent, Adremit Limited, Unit 5a, Commercial Yard,
Settle, North Yorkshire, BD24 9RH



7.



8.



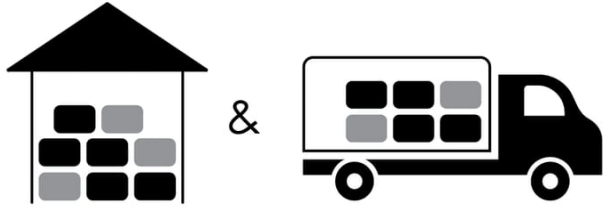
Get In Touch


Call: [0845 6880112](tel:08456880112)
Email: info@adremit.co.uk


Our Address

Puravent, Adremit Limited, Unit 5a, Commercial Yard,
Settle, North Yorkshire, BD24 9RH


Transport, Storage and Operation




 °C -40 °C ... +50 °C



 % ≤ 95%



 °C -20 °C ... +70 °C

 % ≤ 95%

Get In Touch

 Call: [0845 6880112](tel:08456880112)
 Email: info@adremit.co.uk

Our Address

Puravent, Adremit Limited, Unit 5a, Commercial Yard,
Settle, North Yorkshire, BD24 9RH



Supplement

Any deviations from the technical specifications contained herein and the terms should be discussed with the manufacturer. We reserve the right to make any changes to the product without prior notice, provided that these changes do not affect the quality of the product and the required parameters. Current information on all products is available on design.systemair.com.

Get In Touch



Call: [0845 6880112](tel:08456880112)



Email: info@adremit.co.uk

Our Address

Puravent, Adremit Limited, Unit 5a, Commercial Yard,
Settle, North Yorkshire, BD24 9RH



Handbook_EFF_en-GB
design.systemair.com
www.systemair.com

© Copyright Systemair Production a.s
All rights reserved
E&OE

Systemair reserves the right to alter their products without notice.
This also applies to products already ordered, as long as it does not affect the previously agreed specifications.

Original instructions

2023-08-07

DOCUMENT VERSION 2

Get In Touch

 **Call:** [0845 6880112](tel:08456880112)
 **Email:** info@adremit.co.uk

Our Address

Puravent, Adremit Limited, Unit 5a, Commercial Yard,
Settle, North Yorkshire, BD24 9RH