



🌀 Ambient, no heat

⚡ 3–13,5 kW Electrical heat

Lengths: 1 and 1,5 meters



Thermozone® Portier

Air curtains for installation heights up to 2,5 metres

Application

Portier is an exclusive air curtain in brushed stainless steel intended for entrances with high demands in respect of design. The air curtain is available in two different lengths that can be combined to cover entrances of different sizes.

Comfort

Portier creates an air barrier, which prevents cold draughts and ensures comfortable heating inside the door. An adjustable air blower grille makes it possible to direct the air for an optimal air curtain effect. The air curtain can also contribute to the heating of the premises when the door is closed.

Operation and economy

Thanks to Thermozone Technology, Portier saves energy. The air barrier reduces energy losses through the door opening and the energy consumption of the air curtain is also low. With an air curtain as a heat source it produces heat in the area where it is most needed, and as a result the rest of the premises can be covered with less output. Easy installation and maintenance minimizes the cost and the risk of errors.

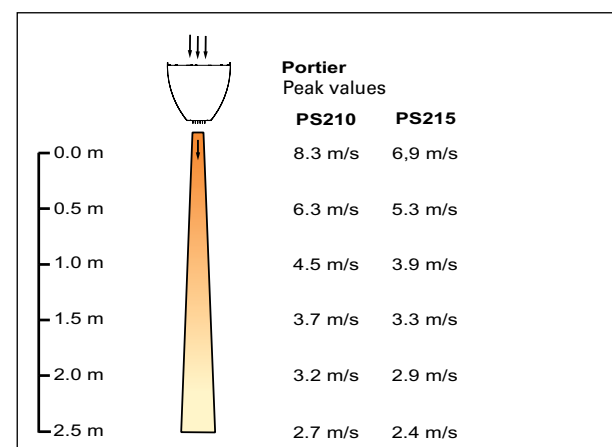
Design

Portier has a unique symmetrical design in brushed stainless steel with black grille and ends. Colour coordinated housing is available as special order.

Product specifications

- Low sound level
- Simple suspension using fixing nuts on the upper side for installation with wall brackets, suspension kit or wire/threaded rod
- Adjustable exhaust grille makes it possible to direct the air for optimum air curtain effect
- Optimised airflow with Thermozone technology
- Housing in brushed stainless steel. Colour outlet grille and ends: black, RAL 9005. Colour coordinated as special order

Air velocity profile



Get In Touch

📞 Call: 0845 6880112
 ✉ Email: info@adremit.co.uk

Our Address

Puravent, Adremit Limited, Unit 5a, Commercial Yard, Settle, North Yorkshire, BD24 9RH



Technical specifications | Thermozone Portier A, without heat ↗

Type	Output [kW]	Airflow [m³/h]	Sound level [dB(A)]*1	Voltage [V]	Amperage [A]	Length [mm]	Weight [kg]
PS210A	0	1000/1300	44/54	230V~	0,45	1020	14
PS215A	0	1300/2000	46/56	230V~	0,55	1530	20

Technical specifications | Thermozone Portier E, electrically heated ↗

Type	Output steps [kW]	Airflow [m³/h]	Sound level [dB(A)]*1	Voltage [V]	Amperage [A]	Length [mm]	Weight [kg]
PS210E03	0/1,5/3	950/1200	44/50	230V~/400V3N~*2	13,4/4,8	1020	17
PS210E06	0/3/6	950/1200	44/50	400V3N~*2	9,2	1020	17
PS210E09	0/4,5/9	950/1200	44/50	400V3N~*2	13,5	1020	17
PS215E09	0/4,5/9	1200/1900	39/50	400V3N~*2	13,5	1530	24
PS215E14	0/6,7/13,5	1200/1900	39/50	400V3~ + 230V~	20,0	1530	24

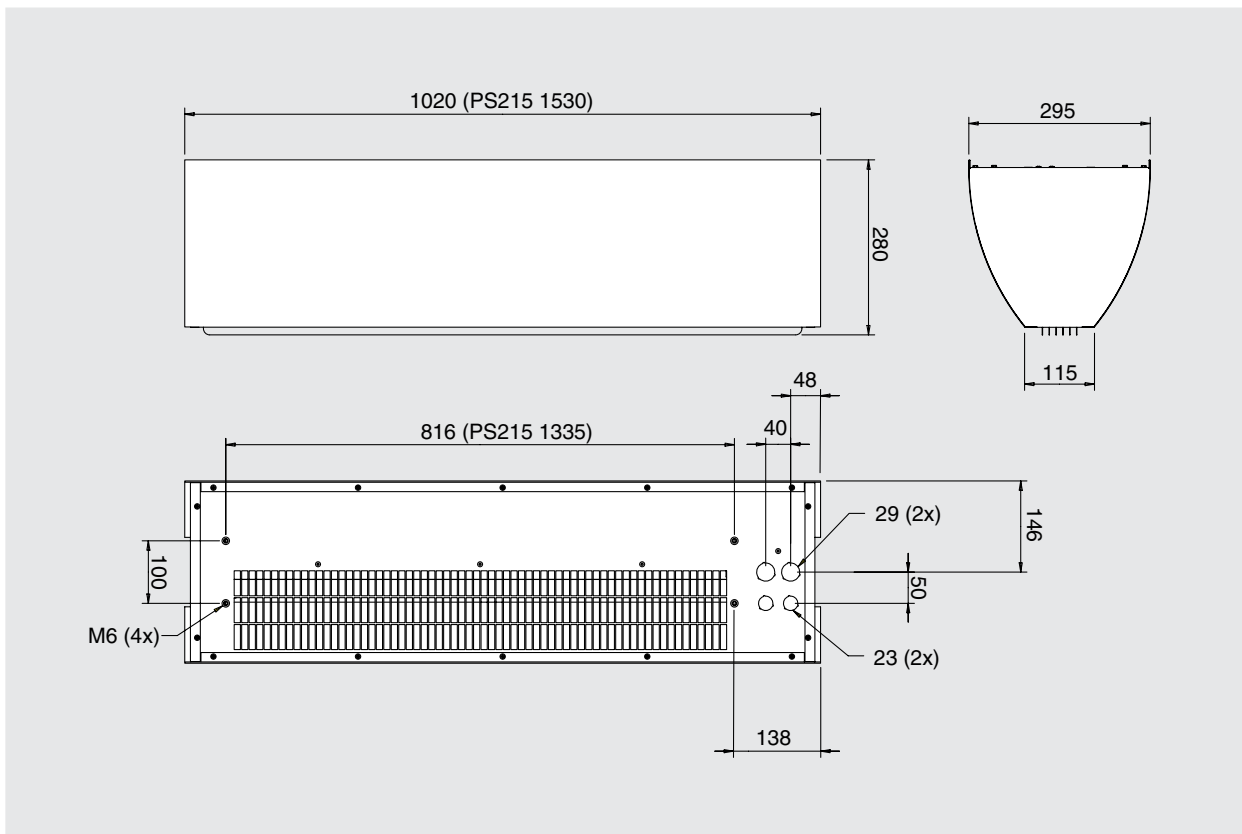
*1) Conditions: Distance to the unit 5 metres. Directional factor: 2. Equivalent absorption area: 200 m².

*2) Alternative 400 V3~ + 230 V~ (operating supply) if the current is greater than 16 A. Applies when connecting several units.

Protection class: IP21.
CE compliant.



Dimensions



Design and specifications are subject to change without notice.

Get In Touch

Call: 0845 6880112
Email: info@adremit.co.uk

Our Address

Puravent, Adremit Limited, Unit 5a, Commercial Yard, Settle, North Yorkshire, BD24 9RH

Mounting and connection

Mounting

The units may only be installed horizontally over a doorway with the air stream directed downwards. Distance from the exhaust to combustible materials must be at least 50 mm.

Portier is prepared with four M6 threaded holes on the upper side of the air curtain. Wall mounting kit P2WB is available for wall mounting. Suspension kit ADPK1 and suspension brackets ADPF1 are available for ceiling installation. Portier can also be suspended using cables/wires or threaded rods. See next page for all the mounting alternatives.

To achieve the optimum air curtain effect, the unit must extend the full width of the door opening and as close to the opening as possible. For the protection of wider doorways, several units can be mounted next to each other. To achieve the optimum air curtain effect, they should be mounted as close to each other as possible. Using joining kit P2JK (fig. 2) a complete unified air curtain can be created.

Connection

The connection should be made with a type EKK, EKLK or corresponding cable via knockouts in the upper side of the unit. The terminal block is equipped for max 16 mm² cable, the terminal block for max 2.5 mm². Normally, the power and operating voltage are supplied separately. For smaller units, the supply can be common, see wiring diagrams.

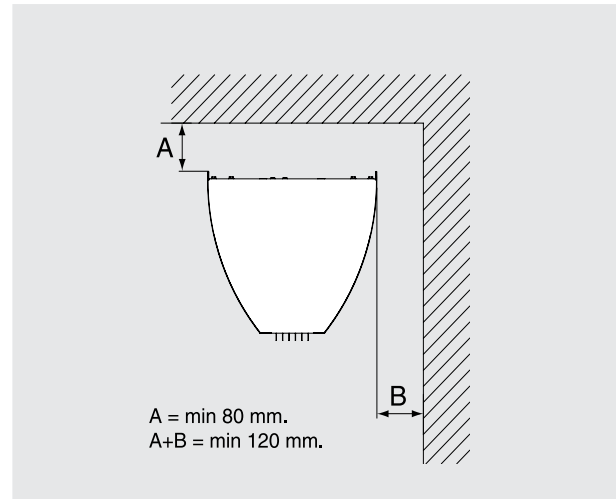


Fig 1. Minimum distances.

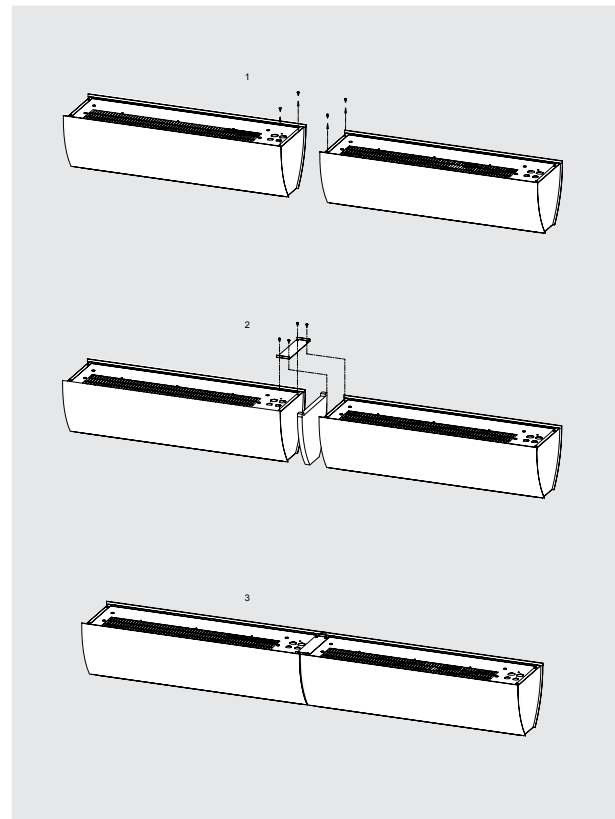


Fig 2. Joining kit P2JK (accessory).

Get In Touch

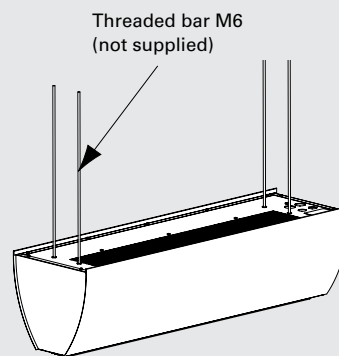
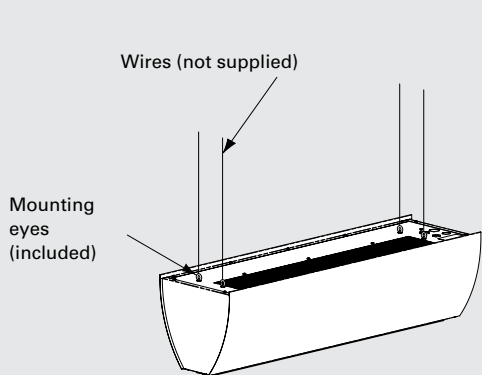
Call: 0845 6880112
Email: info@adremit.co.uk

Our Address

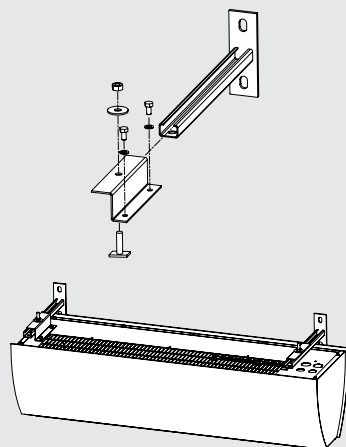
Puravent, Adremit Limited, Unit 5a, Commercial Yard,
Settle, North Yorkshire, BD24 9RH



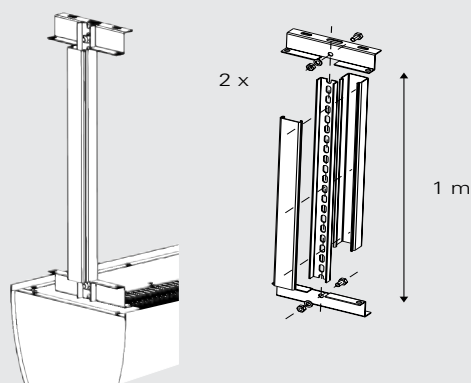
Installation options



Wall mounting kit P2WB (accessory)

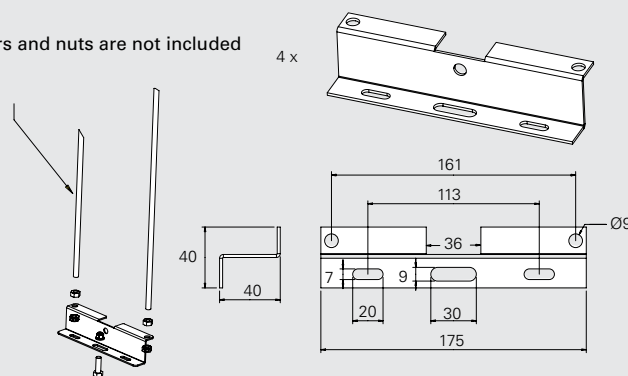


Suspension kit ADPK1 (accessory)



Suspension brackets ADPF1 (accessory)

Threaded bars and nuts are not included on delivery.



Get In Touch

Call: [0845 6880112](tel:08456880112)
 Email: info@adremit.co.uk

Our Address

Puravent, Adremit Limited, Unit 5a, Commercial Yard,
 Settle, North Yorkshire, BD24 9RH

Control options

Ambient ✦

Level 1

Airflow is controlled manually

Control kit:

- CB20, control box , controls the airflow in 2 steps.

Electrical ⚡

Level 1

Airflow is regulated manually. Room thermostat controls the heat output in 2 steps.

Control kit :

- CB22, control box, controls the airflow in 2 steps and heat output in 2 steps
- RTI2, 2-step room thermostat (option KRT2800)

Level 2

Airflow and heat output are controlled automatically based on the opening of the door and the room temperature. When the door is open the fan runs on high speed, when the door closes the fan will continue to run on high speed for the desired time (2s–10 min.) set on MDC. When the door is closed the fan runs on low speed if there is a need for heating, if not the fan is switched off.

The room thermostat controls the heat output. E.g. the thermostat is set on 23 °C and the difference between the stages 4 °C. The thermostat will activate below 19 °C when the door is closed. When the door opens, the thermostat will activate below 23 °C and normally the heat is switched on.

Control kit:

- CB22, control box, controls the airflow in 2 steps and heat output in 2 steps
- MDC, door contact with time delay
- RTI2, 2-step room thermostat (option KRT2800)

Level 3

Airflow and heat output are controlled automatically based on the opening of the door, outdoor temperature and the room temperature.

The system is based on an advanced microprocessing regulator in an attractive design. All parameters are pre-programmed for easy and quick installation.


Control kit:

- ADEA, regulator (complete with outdoor sensor, built-in room sensor and door contact).
- ADEAEB, control board, for external mounting.

Read more about operation and usage of ADEA in chapter on Controls and accessories.

For further options, see section on thermostats and controls or contact Frico.

Get In Touch

 Call: 0845 6880112
 Email: info@adremit.co.uk

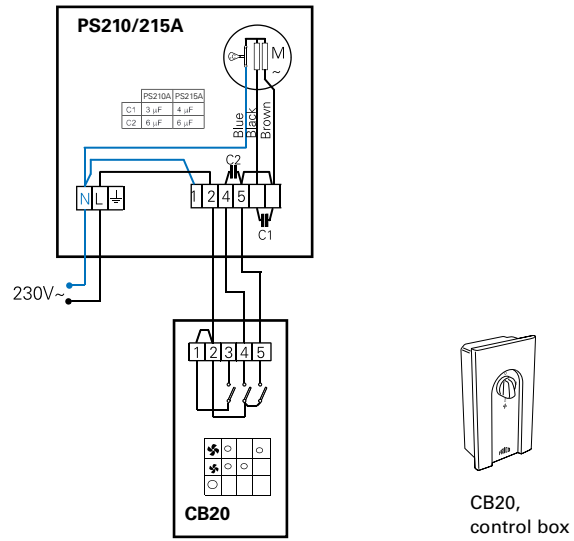
Our Address

Puravent, Adremit Limited, Unit 5a, Commercial Yard, Settle, North Yorkshire, BD24 9RH

Wiring diagrams

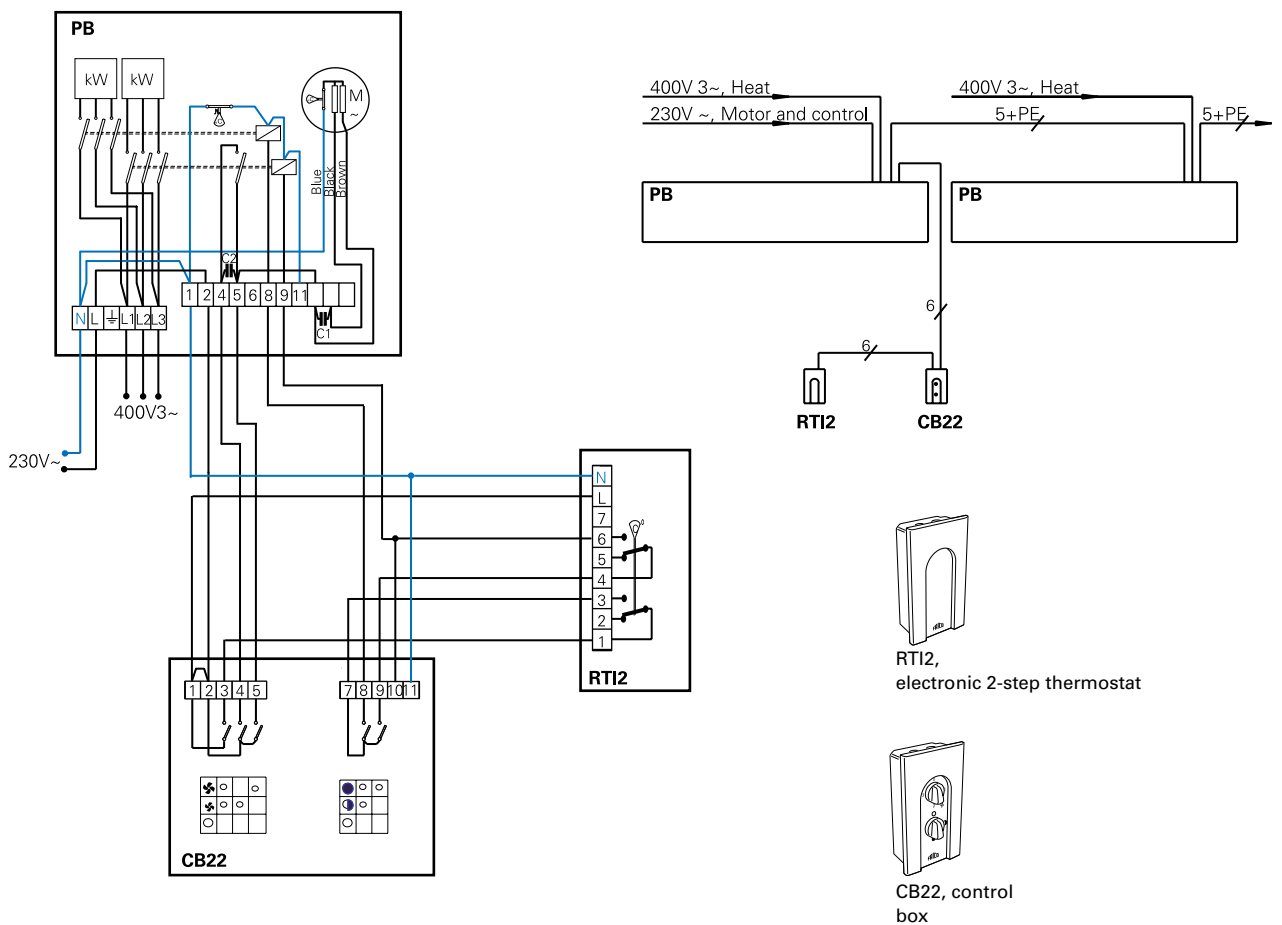
Ambient control options

Level 1



Electrical control options

Level 1



Get In Touch

Call: 0845 6880112
Email: info@adremit.co.uk

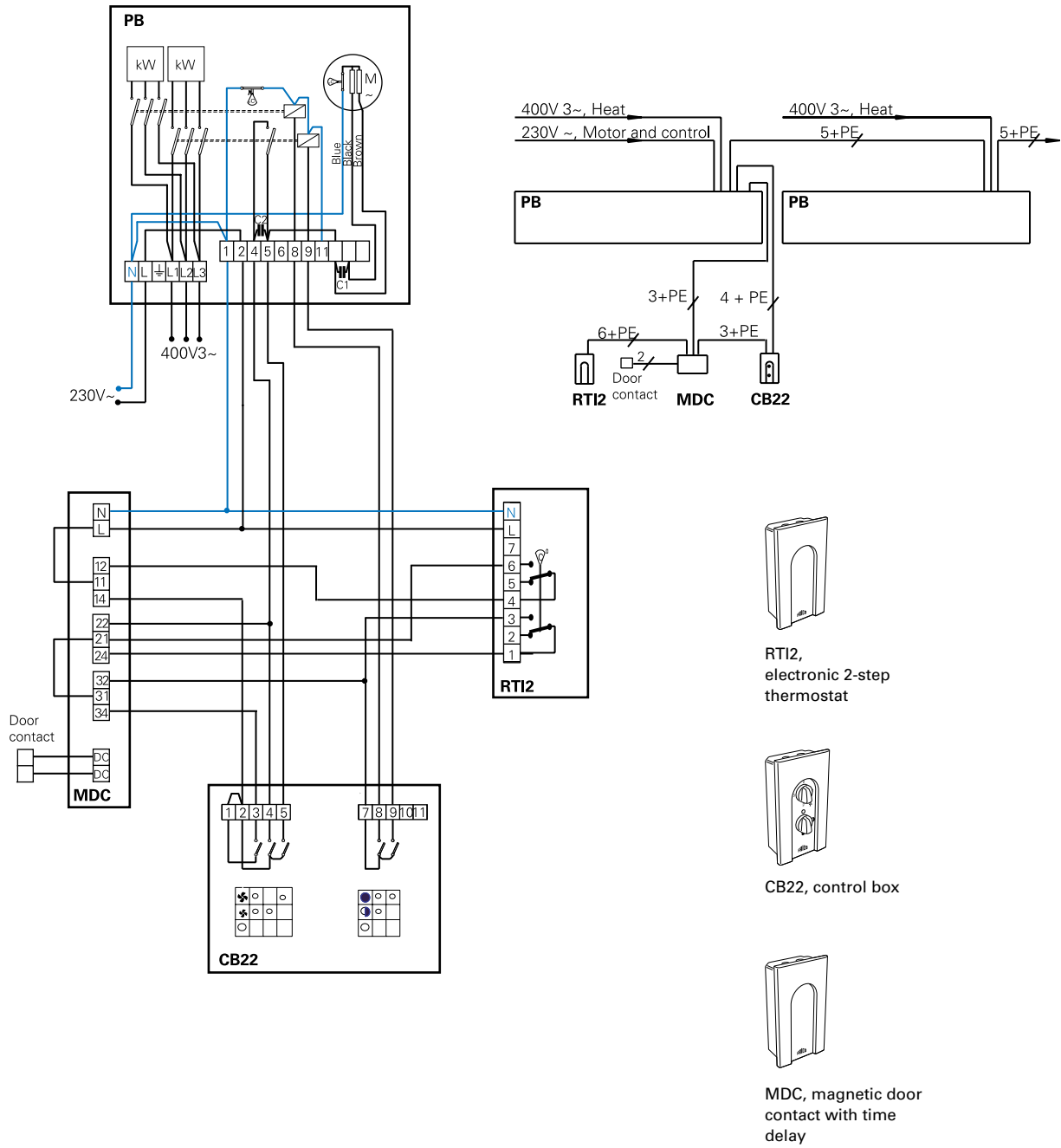
Our Address

Puravent, Adremit Limited, Unit 5a, Commercial Yard,
Settle, North Yorkshire, BD24 9RH

Wiring diagrams

Electrical control options

Level 2



Get In Touch

Call: 0845 6880112
 Email: info@adremit.co.uk

Our Address

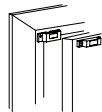
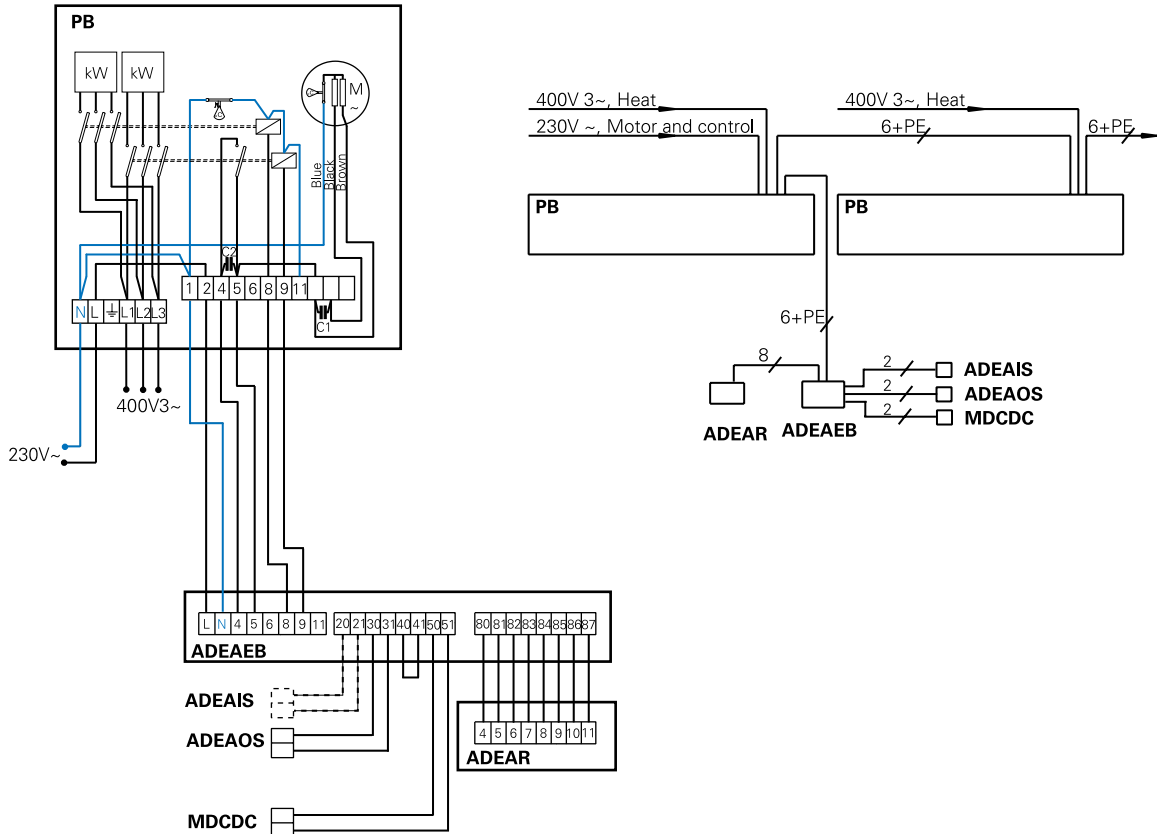
Puravent, Adremit Limited, Unit 5a, Commercial Yard,
 Settle, North Yorkshire, BD24 9RH



Wiring diagrams

Electrical control options

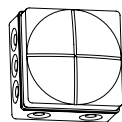
Level 3



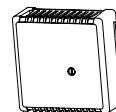
MDCDC, magnetic door contact



ADEAR, regulator with display unit and built-in room sensor



ADEAOS, outdoor sensor



ADEAIS, external room sensor



ADEAEB, external control board

Get In Touch

 Call: 0845 6880112
 Email: info@adremit.co.uk

Our Address

Puravent, Adremit Limited, Unit 5a, Commercial Yard,
 Settle, North Yorkshire, BD24 9RH