

⚡ 300-1000 W Electrical heat

18 models CE

Thermowarm

Easily positioned convector in several different designs

Application

Thermowarm is a series of easily installed convectors designed for public buildings such as changing rooms, stores and toilets. TWTC can also be used in corrosive and aggressive environments. TWT200 has a surface temperature as low as 60 °C, which makes it ideal for daycare centres and bathrooms.

Comfort

Convectors and radiators from Frico efficiently produce pleasant heat. Heat distribution in the room is good at the same time as the warm air flow directed upwards can be used to counteract cold draughts from the windows.

Operation and economy

The possibility of choosing products with different outputs results in energy efficient heating irrespective of whether the whole building is to be heated or only frost protection is required. A long life and minimum maintenance also reduce costs.

Design

Thermowarm is easy to position and has, despite its small size, a large heat output. The three different surface finishes: white, grey covered panel covered and stainless steel, make Thermowarm suitable for most environments. The front cover can be opened making it straightforward to keep the convectors clean and tidy.

Product specifications

- Thermowarm is available in four designs:
 - **TWT100:** white front, RAL 9016, NCS0500, and grey sides. Equipped with circuit breaker. IP44.
 - **TWT200:** grey covered front panel and grey sides. Equipped with circuit breaker, surface temperature 60 °C. IP44.
 - **TWT300:** white front, RAL 9016, NCS0500 and grey sides, with mains cord and plug. IP21.
 - **TWTC:** stainless steel design and black sides. Equipped with mains cord and plug. Concealed temperature setting. IP54.
- With ribbed flanges and tubular elements.
- Integrated thermostat with setting range 0 – +35 °C.
- Resettable overheating protection along the full length of the convector.
- Ends of impact resistant thermoplastic.

Design and specifications are subject to change without notice.

Get In Touch

☎ Call: 0845 6880112
✉ Email: info@adremit.co.uk

Our Address

Puravent, Adremit Limited, Unit 5a, Commercial Yard, Settle, North Yorkshire, BD24 9RH



The small size and effortless installation make Thermowarm easy to position even in confined areas such as a control cabin.



In the stainless steel design Thermowarm withstands corrosive environments.



The grey covered front panel gives a low surface temperature and TWT200 is therefore recommended for .e.g. bathrooms.



Thermowarm is available with a white front, with or without a circuit breaker.

Get In Touch

Call: 0845 6880112
Email: info@adremit.co.uk

Our Address

Puravent, Adremit Limited, Unit 5a, Commercial Yard, Settle, North Yorkshire, BD24 9RH

Technical specifications | Thermowarm TWT100. White front, with switch ⚡

| Type | Output [W] | Voltage [V] | HxWxD [mm] | Weight [kg] |
|----------|------------|-------------|-------------|-------------|
| TWT10321 | 300 | 230V~ | 345x205x123 | 1,5 |
| TWT10331 | 300 | 400V~ | 345x205x123 | 1,5 |
| TWT10521 | 500 | 230V~ | 465x205x123 | 2,0 |
| TWT10531 | 500 | 400V~ | 465x205x123 | 2,0 |
| TWT11021 | 1000 | 230V~ | 765x205x123 | 3,0 |
| TWT11031 | 1000 | 400V~ | 765x205x123 | 3,0 |

Technical specifications | Thermowarm TWT200. Grey covered front, with switch. Max surface temperature of 60 °C ⚡

| Type | Output [W] | Voltage [V] | HxWxD [mm] | Weight [kg] |
|----------|------------|-------------|-------------|-------------|
| TWT20321 | 300 | 230V~ | 345x205x123 | 1,5 |
| TWT20331 | 300 | 400V~ | 345x205x123 | 1,5 |
| TWT20521 | 500 | 230V~ | 465x205x123 | 2,0 |
| TWT20531 | 500 | 400V~ | 465x205x123 | 2,0 |
| TWT21021 | 1000 | 230V~ | 765x205x123 | 3,0 |
| TWT21031 | 1000 | 400V~ | 765x205x123 | 3,0 |

Technical specifications | Thermowarm TWT300. White front, with cable and plug. ⚡

| Type | Output [W] | Voltage [V] | HxWxD [mm] | Weight [kg] |
|----------|------------|-------------|-------------|-------------|
| TWT30321 | 300 | 230V~ | 345x205x123 | 1,5 |
| TWT30521 | 500 | 230V~ | 465x205x123 | 2,0 |
| TWT31021 | 1000 | 230V~ | 765x205x123 | 3,0 |

Technical specifications | Thermowarm TWTC. Front in stainless steel, with cable and plug. ⚡

| Type | Output [W] | Voltage [V] | HxWxD [mm] | Weight [kg] |
|-----------|------------|-------------|-------------|-------------|
| TWTC30321 | 300 | 230V~ | 345x205x123 | 1,5 |
| TWTC30521 | 500 | 230V~ | 465x205x123 | 2,0 |
| TWTC31021 | 1000 | 230V~ | 765x205x123 | 3,0 |

Protection class TWT100 and TWT200: IP44.

Protection class TWT300: IP21.

Protection class TWTC: IP54.

CE compliant.

Get In Touch

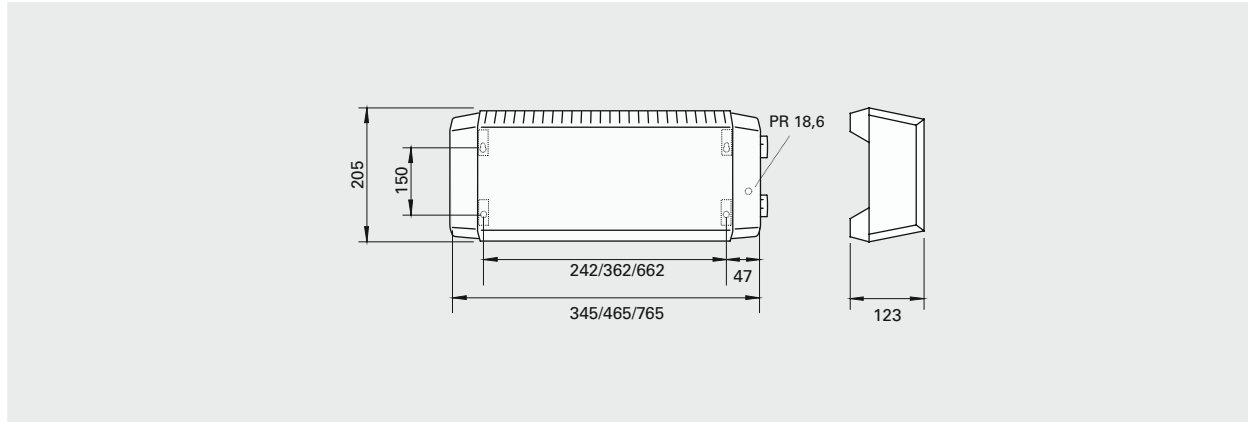
Call: [0845 6880112](tel:08456880112)
 Email: info@adremit.co.uk

Our Address

Puravent, Adremit Limited, Unit 5a, Commercial Yard,
 Settle, North Yorkshire, BD24 9RH



Dimensions



Mounting and connection

Mounting

Thermowarm is mounted on a wall. For minimum dimensions with permanent installation, see diagram 1.

Electrical installation

TWT100/200 is designed for permanent installation. TWT300 and TWTC are equipped with a mains cord and plug for connection to earthed outlet sockets.

Controls

Thermowarm features an integrated thermostat with setting range 0 – +35 °C. On TWTC the thermostat is concealed to make it difficult for unauthorised persons to change the temperature setting. TWT100/200 has a circuit breaker. For further options, see section on thermostats and controls or contact Frico.

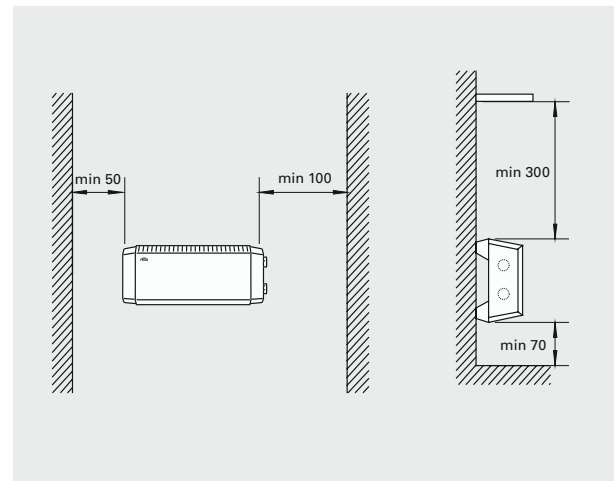


Fig. 1: Minimum distance for fixed installation.

Get In Touch

Call: [0845 6880112](tel:08456880112)
Email: info@adremit.co.uk

Our Address

Puravent, Adremit Limited, Unit 5a, Commercial Yard,
Settle, North Yorkshire, BD24 9RH