



⚡ 200–1150 W Electrical heat

9 models

CE

Ribbed pipe radiator

Robust and hard wearing ribbed pipe radiator in a retro design

Application

Frico's ribbed pipe radiators are designed for harsh environments and are approved for wet rooms, but are also available in designs for rooms at risk of fire. The retro design has also created a new application area in modern housing.

Comfort

Convectors and radiators from Frico efficiently produce pleasant heat. Heat distribution in the room is good at the same time as the warm air flow directed upwards can be used to counteract cold draughts from the windows.

Operation and economy

The possibility of choosing products with different outputs results in energy efficient heating irrespective of whether the whole building is to be heated or only frost protection is required. A long life and minimum maintenance also reduce costs.

Design

Frico's ribbed pipe radiators have a hard wearing and robust design in dark green sheet steel. The compact format means the radiator has a small footprint, but gives a lot of heat.

Product specifications

- The ribbed pipe radiator is available in the following designs:
 - **Model 125**, without output selector.
 - **Model 126**, with output selector that regulates the heat in three steps.
 - **Model 127**, without output selector, sand-filled and suitable for rooms at risk to fire.
- The ribbed flanges increase the heating surface and provide good heat transfer combined with a compact design.
- Resettable overheating protection along the full length of the ribbed pipe radiator.
- A protective steel case give a lower surface temperature and extra protection against impact (model 125 and 126).
- Approved for wet rooms (IP44).
- Can be regulated using an external thermostat.
- Colour: RAL 6005, NCS 7020-B90G (dark green).

Get In Touch



Call: 0845 6880112



Email: info@adremit.co.uk

Our Address

Puravent, Adremit Limited, Unit 5a, Commercial Yard, Settle, North Yorkshire, BD24 9RH



The origins of Frico's ribbed pipe radiators can be traced back to the 1930s, but they are just as suitable, hard wearing and functional today.



The ribbed pipe radiator's design and mounting brackets make them easy to install, for example, below a window.



Robust and hard wearing — Frico's ribbed pipe radiators are ideal for harsh environments.



Installed by a window the ribbed pipe radiators effectively counteract cold draughts that frequently form by large glazed areas.

Get In Touch

Call: [0845 6880112](tel:08456880112)
Email: info@adremit.co.uk

Our Address

Puravent, Adremit Limited, Unit 5a, Commercial Yard, Settle, North Yorkshire, BD24 9RH



Ribbed pipe

Technical specifications | Ribbed pipe radiator 125. Without output selector ⚡

Type	Output [W]	Voltage [V]	LxHxD [mm]	Weight [kg]
125-12B	200	230V~	370x180x185	2.4
125-22B	375	230V~	530x180x185	3.3
125-32B	575	230V~	730x180x185	4.5
125-42B	775	230V~	880x180x185	5.5

Technical specifications | Ribbed pipe radiator 126, with output selector. ⚡

Type	Output [W]	Voltage [V]	LxHxD [mm]	Weight [kg]
126-32B	575	230V~	730x180x185	4.7
126-42B	775	230V~	880x180x185	5.7
126-52B	1150	230V~	1185x180x185	7.5

Technical specifications | Ribbed pipe radiator 127, without output selector, for use in combustible areas (sand filled).. ⚡

Type	Output [W]	Voltage [V]	LxHxD [mm]	Weight [kg]
127-22B	500	230V~	980x180x185	10.9
127-42B	800	230V~	1925x180x185	33.3

Protection class: IP44.
CE compliant.

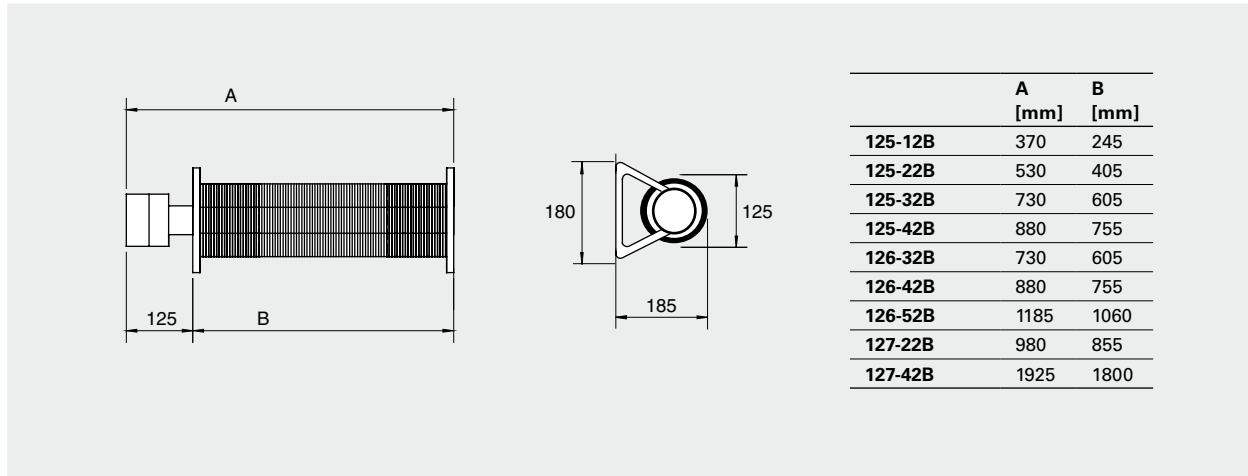
Get In Touch

 Call: [0845 6880112](tel:08456880112)
 Email: info@adremit.co.uk

Our Address

Puravent, Adremit Limited, Unit 5a, Commercial Yard,
Settle, North Yorkshire, BD24 9RH

Dimensions



Mounting and connection

Mounting

The ribbed pipe radiator is installed horizontally on the wall with the connection box to the left seen from the front. For minimum dimensions with permanent installation, see diagram 1.

Electrical installation

The ribbed pipe radiator is intended for permanent installation.

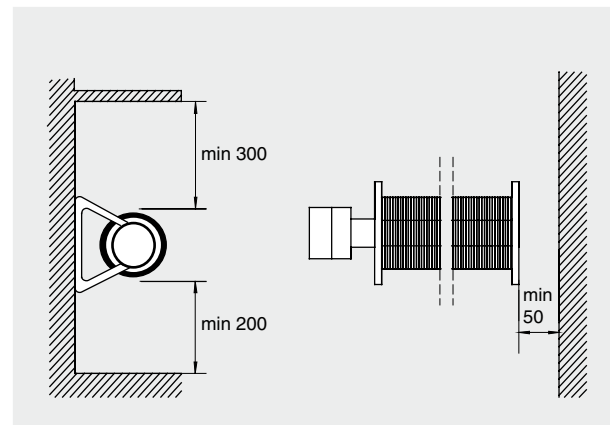


Fig. 1: Minimum distance for fixed installation.

Controls

The ribbed pipe radiator is can be regulated using an external thermostat. Model 126 features an integrated output selector that regulates the heat in three steps (0-1/3-2/3-1). For further options, see section on thermostats and controls or contact Frico.

Get In Touch

Call: 0845 6880112
 Email: info@adremit.co.uk

Our Address

Puravent, Adremit Limited, Unit 5a, Commercial Yard,
 Settle, North Yorkshire, BD24 9RH