



⚡ 2-30 kW Electrical heat

9 models

Fan heater Tiger

Robust fan heater for portable use in demanding environments

Application

Tiger is a range of robust and compact fan heaters for professionals with high demands. The Tiger fan heater is portable, models up to 15 kW can also be hung on the wall.

Tiger 2-9 kW are intended for heating and drying areas such as garages, workshops and shops.

Tiger 15, 20 and 30 kW are ideal for heating and drying larger premises such as industrial premises and workshops, where higher outputs are required.

Comfort

Frico's fan heaters are extremely quiet and quickly provide comfortable heating. With a portable fan heater it is easy to move and take the heat where it is required.

Operation and economy

Frico's fan heaters have a long life and providing fast and effective heating at a low cost. A portable fan heater gives good personal comfort without the need to heat the whole premises, which keeps heating costs to a minimum.

Design

The Tiger fan heater has a compact and robust sheet steel design with a red finish. The heavy-duty tubular frame acts as a well-balanced and ergonomic carrying handle. The design protects against impact and vibrations and permits use in exacting environments.

Product specifications

- The Tiger fan heater is available in the following designs:
 - **P21 and P31** have a 1.8 m cord with plug for connection to earthed outlet sockets. Can be hung on the wall.
 - **P33, P53 and P93** have a 1.8 m cable with CEE-plug, 230V-outlet socket (type E) at the rear. Can be hung on the wall.
 - **P153** has a 1.8 m cable with CEE-plug. Can be hung on the wall.
 - **P203, P303 and P305** are supplied with a 1.8 m cable without a plug. P305 can be connected to 440V3~ and 500V3~.
- Low sound level.
- Integrated thermostat with setting range +5 – +35 °C and output selector.
- Very reliable and well protected against impact and vibrations.
- Corrosion proof housing made of hot zinc-plate and powder enameled steel panels.
Colour: RAL 3020, NCS 1090-Y80R (red).

Design and specifications are subject to change without notice.

2010-07-01

Get In Touch

☎ Call: 0845 6880112
✉ Email: info@adremit.co.uk

Our Address

Puravent, Adremit Limited, Unit 5a, Commercial Yard, Settle, North Yorkshire, BD24 9RH



Fan Heater Tiger



The robust and portable design combined with an output of 30 kW makes Tiger unbeatable in tough environments with demand for temporary heating. The heavy-duty tubular frame acts as a well-balanced and ergonomic carrying handle.



Tiger 3-9 kW (400V3N~) has a 230V outlet at the rear for easy connection of e.g. lighting or a charger for cordless tools. Practical for building sites!



Tiger is primarily intended for portable use, but the 2-15 kW models can easily be wall mounted to be out of the way.

Get In Touch



Call: [0845 6880112](tel:08456880112)



Email: info@adremit.co.uk

Our Address

Puravent, Adremit Limited, Unit 5a, Commercial Yard,
Settle, North Yorkshire, BD24 9RH

Fan Heater Tiger

Technical specifications | Fan heater Tiger, 2-9 kW ⚡

Type	Output steps [kW]	Airflow [m ³ /h]	Sound level* ¹ [dB(A)]	Δt* ² [°C]	Voltage [V]	Amperage [A]	HxWxD [mm]	Weight [kg]
P21	0/2	280	41	22	230V~	8.8	450x290x390	5.7
P31	0/2/3	280	41	32	230V~	13	450x290x390	6.0
P33* ³	0/1.5/3	280	41	32	400V3N~* ³	4.4	450x290x390	6.3
P53* ³	0/2.5/5	480	40	31	400V3N~* ³	7.3	450x290x390	6.7
P93* ³	0/4.5/9	720	44	37	400V3N~* ³	13	530x350x480	10

Technical specifications | Fan heater Tiger, 15 kW ⚡

Type	Output steps [kW]	Airflow [m ³ /h]	Sound level* ¹ [dB(A)]	Δt* ² [°C]	Voltage [V]	Amperage [A]	HxWxD [mm]	Weight [kg]
P153	0/7.5/15	1120	47	40	400V3N~	21.9	510x410x530	16

Technical specifications | Fan heater Tiger, 20 and 30 kW ⚡

Type	Output steps [kW]	Airflow [m ³ /h]	Sound level* ¹ [dB(A)]	Δt* ² [°C]	Voltage [V]	Amperage [A]	HxWxD [mm]	Weight [kg]
P203	0/10/20	1900/2600	60	31/23	400V3N~	29.5	590x630x600	26
P303	0/10/20/30	1900/2600	52	47/34	400V3N~	43.9	590x630x600	30
P305* ⁴	0/7.5/15/23	1900/2600	52	36/26	440V3N~* ⁴	30.8	590x630x600	30
(convertible)	0/10/20/30			47/34	500V3N~	35.1		

*1) Conditions: Distance to the unit 3 metres. Directional factor: 2. Equivalent absorption area: 200 m².

*2) Δt = temperature rise of passing air at maximum heat output and lowest/highest air flow.

*3) Also available without neutral and are then called P33-0, P53-0 and P93-0. These models do not have a 230 V~ socket on the back.

*4) Can be connected to 440V3~ and 500V3~

Protection class: IP44.

CE compliant.

Get In Touch

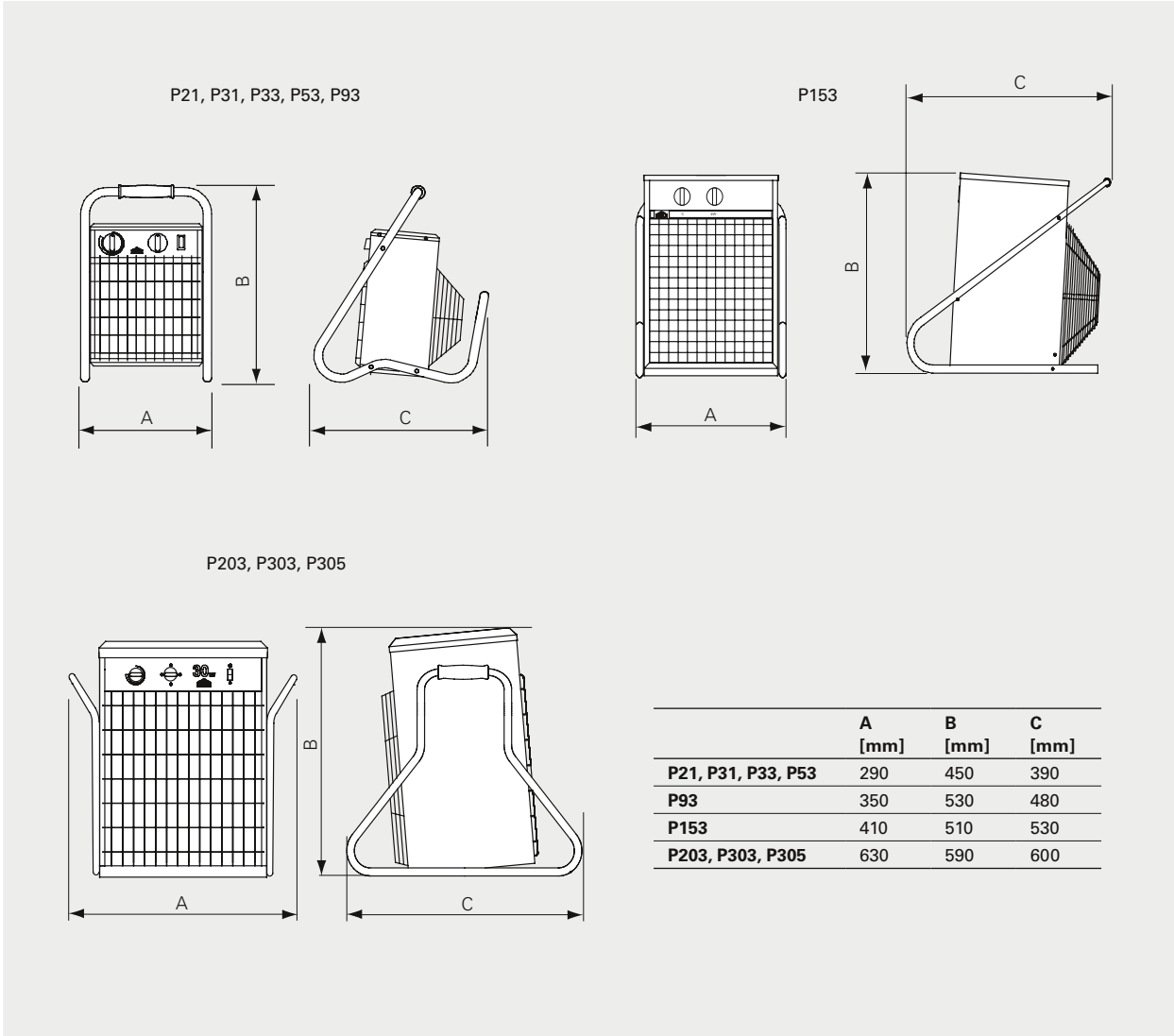
Call: [0845 6880112](tel:08456880112)
 Email: info@adremit.co.uk

Our Address

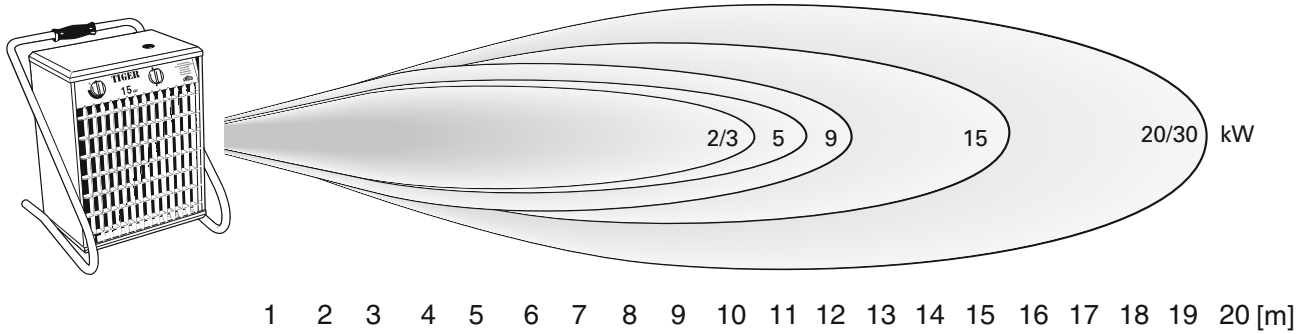
Puravent, Adremit Limited, Unit 5a, Commercial Yard,
 Settle, North Yorkshire, BD24 9RH



Dimensions



Air throw



Get In Touch

Call: 0845 6880112
 Email: info@adremit.co.uk

Our Address

Puravent, Adremit Limited, Unit 5a, Commercial Yard, Settle, North Yorkshire, BD24 9RH



Mounting and connection

Mounting

The Tiger fan heater is portable. Units up to 15 kW can easily be installed on the wall. The holes at the rear of the frame can be used for permanent wall installation. If the unit needs to be moved the wall bracket LT22406 (see diagram 2) can be ordered free of charge. For minimum dimensions with permanent installation, see diagram 1.

Electrical installation

The Tiger fan heater is equipped with a 1.8 metre long connection cable.

- P21 and P31 have cords with plugs for connection to earthed outlet sockets (P21 requires 10 A fuse protection, P31 requires 16 A fuse protection).
- P33, P53, P93 and P153 all have a CEE plug fitted on the connection cable. There is a 230V-outlet socket of the type E that is compatible with type E as well as E/F-hybrid (CEE 7/7) at the rear of P33, P53 and P93, the socket gives the possibility to connect, for example, lighting or a charger for cordless tools.
- P203, P303, P305 are supplied with a cable without a plug. P305 can be connected to both 440V3~ and 500V3~.

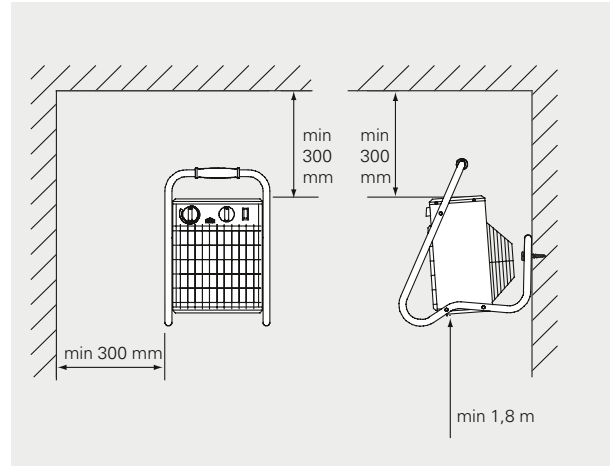


Fig. 1: Minimum distance for fixed installation.

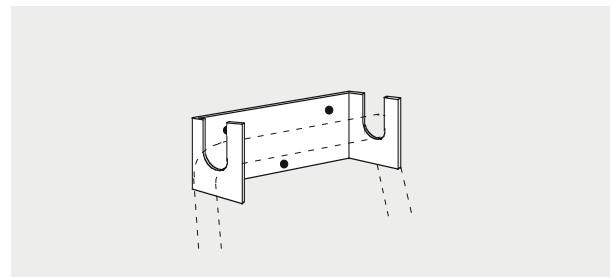


Fig. 2: Mounting with mounting bracket LT22406.

Controls

Tiger, 2–9 kW

The built-in thermostat controls fan speed and heat, or heat only. The choice is made with the mode selector. When operating with heat only the fan blows constantly and the thermostat only controls the heat output. Thermostat with setting range 5–35°C. Output is set via the output selector.

Tiger, 15 kW

Built-in thermostat with setting range 5–35°C. Output is set via the output selector, for steps see table.

Tiger, 20 and 30 kW

Built-in thermostat with setting range 5–35°C. Output is set via the output selector, for steps see table. The mode selector has two different fan speed positions.

Accessories

Type	Description	HxBxD [mm]
LT22406	Wall bracket for Tiger 2-15 kW	45x128x40

Get In Touch

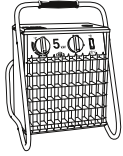
Call: 0845 6880112
Email: info@adremit.co.uk

Our Address

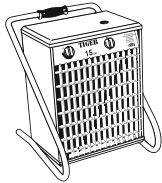
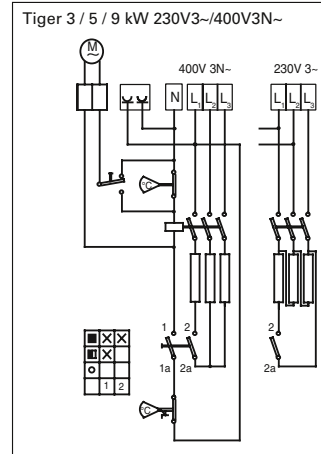
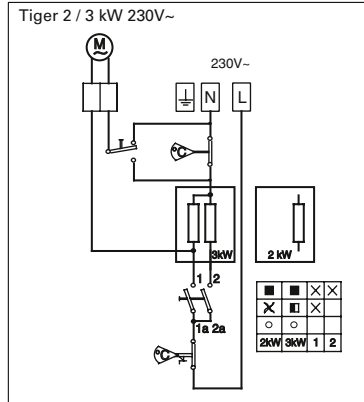
Puravent, Adremit Limited, Unit 5a, Commercial Yard, Settle, North Yorkshire, BD24 9RH

Wiring diagrams

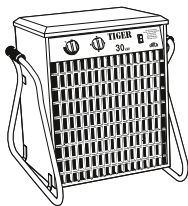
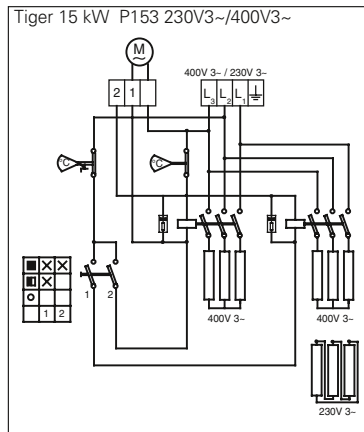
Internal wiring diagram



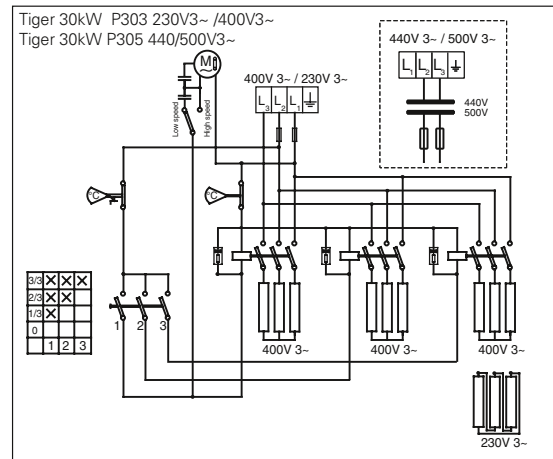
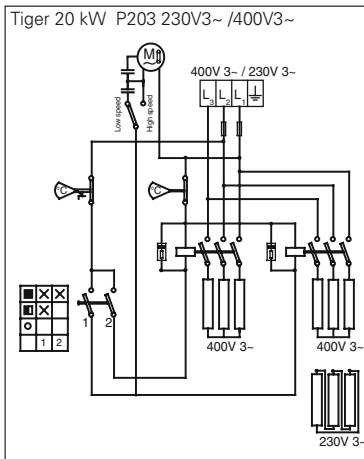
Tiger 2/3/5 kW



Tiger 15 kW



Tiger 20/30 kW



Design and specifications are subject to change without notice.

Get In Touch

Call: 0845 6880112
Email: info@adremit.co.uk

Our Address

Puravent, Adremit Limited, Unit 5a, Commercial Yard, Settle, North Yorkshire, BD24 9RH