


Thank you for purchasing a Sealey product. Manufactured to a high standard this product will, if used according to these instructions and properly maintained, give you years of trouble free performance.

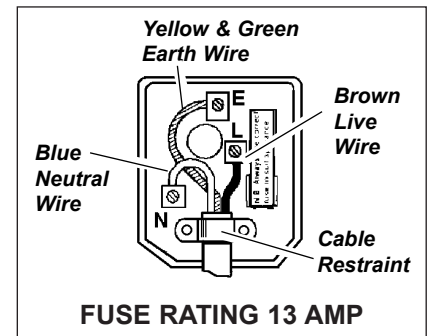


IMPORTANT: PLEASE READ THESE INSTRUCTIONS CAREFULLY. NOTE THE SAFE OPERATIONAL REQUIREMENTS, WARNINGS, AND CAUTIONS. USE THIS PRODUCT CORRECTLY, AND WITH CARE FOR THE PURPOSE FOR WHICH IT IS INTENDED. FAILURE TO DO SO MAY CAUSE DAMAGE AND/OR PERSONAL INJURY AND WILL INVALIDATE THE WARRANTY.

1. SAFETY INSTRUCTIONS

1.1 ELECTRICAL SAFETY

- WARNING!** It is the responsibility of the owner and the operator to read, understand and comply with the following:
You must check all electrical products, before use, to ensure that they are safe. You must inspect power cables, plugs, sockets and any other connectors for wear or damage. You must ensure that the risk of electric shock is minimised by the installation of appropriate safety devices. A Residual Current Circuit Breaker (RCCB) should be incorporated in the main distribution board. We also recommend that a Residual Current Device (RCD) is used. It is particularly important to use an RCD with portable products that are plugged into a supply which is not protected by an RCCB. If in any doubt consult a qualified electrician. You may obtain a Residual Current Device by contacting your Sealey dealer.
You must also read and understand the following instructions concerning electrical safety.
- 1.1.1 The Electricity at Work Act 1989 requires that all portable electrical appliances, if used on business premises, are tested by a qualified electrician, using a Portable Appliance Tester (PAT), at least once a year.
- 1.1.2 The Health & Safety at Work Act 1974 makes owners of electrical appliances responsible for the safe condition of those appliances and the safety of the appliance operators. If in any doubt about electrical safety, contact a qualified electrician.
- 1.1.3 Ensure that the insulation on all cables and on the appliance is safe before connecting it to the power supply. See 1.1.1 and 1.1.2 and use a Portable Appliance Tester.
- 1.1.4 Ensure that cables are always protected against short circuit and overload.
- 1.1.5 Regularly inspect power supply cables and plugs for wear or damage and check all connections to ensure that none is loose.
- 1.1.6 Important: Ensure that the voltage marked on the appliance matches the power supply to be used and that the plug is fitted with the correct fuse - see fuse rating at right.
- 1.1.7 **DO NOT** pull or carry the appliance by the power cable.
- 1.1.8 **DO NOT** pull the plug from the socket by the cable.
- 1.1.9 **DO NOT** use worn or damaged cables, plugs or connectors. Immediately have any faulty item repaired or replaced by a qualified electrician. When a BS 1363/A UK 3 pin plug is damaged, cut the cable just above the plug and dispose of the plug safely. Fit a new plug according to the following instructions (UK only).
 - a) Connect the GREEN/YELLOW earth wire to the earth terminal 'E'.
 - b) Connect the BROWN live wire to the live terminal 'L'.
 - c) Connect the BLUE neutral wire to the neutral terminal 'N'.
 - d) After wiring, check that there are no bare wires, that all wires have been correctly connected, that the cable outer insulation extends beyond the cable restraint and that the restraint is tight. Double insulated products, which are always marked with this symbol , are fitted with live (brown) and neutral (blue) wires only. To rewire, connect the wires as indicated above - **DO NOT** connect either wire to the earth terminal.
- 1.1.10 Products which require more than 13 amps are supplied without a plug. In this case you must contact a qualified electrician to ensure that a suitably rated supply is available. We recommend that you discuss the installation of an industrial round pin plug and socket with your electrician.
- 1.1.11 Use of an extension cord is not recommended. If an extension reel must be used it should be fully unwound before connection. A reel with an RCD fitted is preferred since any appliance plugged into it will be protected. The cable core section is important and should be at least 2.5mm².
- 1.2 **GENERAL SAFETY INSTRUCTIONS**
 - ✓ Familiarise yourself with the applications and limitations of the heater.
 - ✓ Ensure the heater is in good order and condition before use. If in any doubt do not use the unit and contact an electrician.
 - ✓ Only use recommended attachments and parts. To use unauthorised parts may be dangerous and will invalidate your warranty.
 - ✓ Check that element guards are in place, undamaged and firmly attached.
 - ✓ Keep tools and other items away from the heater when it is in use.
 - ✓ Keep the work area clean and clear of unnecessary items.
 - ✓ Keep children and unauthorised persons away from the heater, as it gets **very hot**.
 - ✓ Disconnect from mains and allow to cool before moving or attempting any cleaning or maintenance.
 - x **DO NOT** get the heater wet or use in damp or wet locations or areas where there is condensation.
 - x **DO NOT** locate the heater below the power outlet.
 - x **DO NOT** move the heater whilst in operation or even when still warm.
 - x **DO NOT** touch the heater elements, even when cold.
 - x **DO NOT** disassemble the heater for any reason. The heater must be checked by qualified personnel only.
 - x **DO NOT** use this product to perform a task for which it has not been designed.
 - WARNING!** If a fuse blows, ensure it is replaced with an identical fuse type and rating.
 - ✓ When not in use, store the heater carefully in a safe, dry, childproof location.
 - WARNING!** Never touch the element glass directly with fingers. Use a soft cloth, otherwise the tube may get damaged.
 - WARNING!** Ensure the heater is at least 90cm from any object.



2. INTRODUCTION & SPECIFICATION

A totally dry heat, no condensation, no gas, no fumes and no smell. Reaches maximum heat output within seconds of being turned on. Highly polished aluminium reflector for maximum heat efficiency. Adjusts horizontally through 25° while mounted. Three settings, controlled by pull chain, allow the unit to be on low, half or full power. Ideal for industrial or domestic applications. Suitable for indoor use or outdoor use, if weather protected.

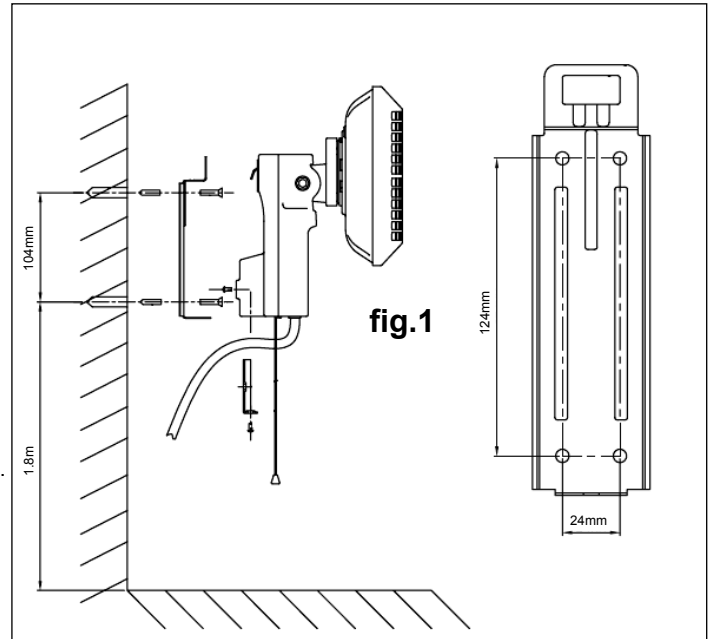
Power: 2000W
Input supply: 230V 50Hz 13A
Dimensions (W x H x D) 485 x 250 x 170mm

3. MOUNTING INSTALLATION

3.1 WALL MOUNTING (fig.1).

(IMPORTANT! The following points should be noted): **The heater should always have a minimum clearance of 450mm from a ceiling and at least 90cm from any object.** Ensure that mounting surface is capable of supporting the weight of the heater.

- 3.2 Remove the metal bracket from the heater by removing the single screw from the underside of the bracket and sliding the bracket down.
- 3.3 Use the bracket as a template, fix the metal bracket to the wall by means of the four holes and appropriate fixings (not supplied).
- 3.4 Slide the heater back onto the bracket and secure using the single screw.
- 3.5 Adjust the angle of heater to direct heat where required.



4. OPERATION

Note: The infrared lamp is fragile and therefore it is important that it is not subjected to any unnecessary shocks or vibration and is not moved when it is on or until cooled down.

WARNING! Ensure you read, understand and apply the safety instructions in Section 1 before using the heater.

- 4.1 Ensure the heater is at least 90cm from any object. The heater can be tilted from -0° to 25°- set it to the required angle before switching the heater on.
- 4.2 Plug in the heater and switch it on.
- 4.3 The heater has the following settings:
Position 0: Off position.
Position L: Middle element only.
Position M: Two outer elements
Position H: All three elements
- 4.4 Make sure the heater plug is disconnected from the mains supply before any cleaning is attempted. Also allow the heater to cool completely. Do not use water or other liquids, or harsh abrasive cleaners to clean the heater.
- 4.5 Clean the exterior with a soft damp cloth with some mild detergent
- 4.6 When the heater is no longer required, switch off and unplug the unit.
- 4.7 To replace any of the lamps, contact your authorised Sealey dealer.

Declaration of Conformity We, the sole importer into the UK, declare that the product listed here is in conformity with the following standards and directives.

INFRARED QUARTZ HEATER
Model: IWMH2003

73/23/EEC Low Voltage Directive
89/336/EEC EMC Directive
93/68/EEC Marking Directive
2002/95/EC RoHS Directive
2002/96/EC WEEE Directive



The construction file for this product is held by the Manufacturer and may be inspected, by a national authority, upon request to Jack Sealey Ltd.

Signed by Mark Sweetman

13th June 2007

For Jack Sealey Ltd. Sole importer into the UK of Sealey Power Products.

NOTE: It is our policy to continually improve products and as such we reserve the right to alter data, specifications and component parts without prior notice.

IMPORTANT: No liability is accepted for incorrect use of this product.

WARRANTY: Guarantee is 12 months from purchase date, proof of which will be required for any claim.

INFORMATION: For a copy of our catalogue and latest promotions call us on 01284 757525 and leave your full name, address and postcode.



Sole UK Distributor
Sealey Group,
Bury St. Edmunds, Suffolk.



01284 757500



01284 703534



www.sealey.co.uk



sales@sealey.co.uk

IWMH2003 - 1 - 130607

Get In Touch



Call: 0845 6880112



Email: info@adremit.co.uk

Our Address

Puravent, Adremit Limited, Unit 5a, Commercial Yard,
Settle, North Yorkshire, BD24 9RH