



INSTRUCTIONS FOR:

INDUSTRIAL FAN HEATER 3kW 2 HEAT SETTINGS

Model No: **EH3000**

Thank you for purchasing a Sealey Electric Fan Heater. Manufactured to a high standard this product will, if used according to these instructions and properly maintained, give you years of trouble free performance.

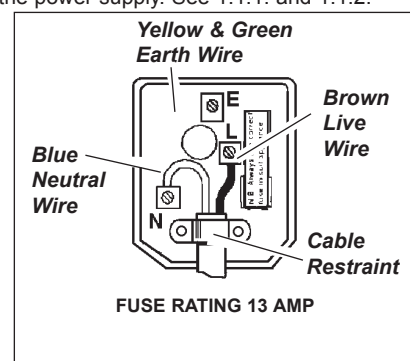


IMPORTANT: PLEASE READ THESE INSTRUCTIONS CAREFULLY. NOTE THE SAFE OPERATIONAL REQUIREMENTS, WARNINGS AND CAUTIONS. USE THIS PRODUCT CORRECTLY AND WITH CARE FOR THE PURPOSE FOR WHICH IT IS INTENDED. FAILURE TO DO SO MAY CAUSE DAMAGE AND/OR PERSONAL INJURY AND WILL INVALIDATE THE WARRANTY. PLEASE KEEP INSTRUCTIONS SAFE FOR FUTURE USE.

1. SAFETY INSTRUCTIONS

1.1. ELECTRICAL SAFETY

- WARNING!** It is the responsibility of the owner and the operator to read, understand and comply with the following: You must check all electrical products, before use, to ensure that they are safe. You must inspect power cables, plugs, sockets and any other connectors for wear or damage. You must ensure that the risk of electric shock is minimised by the installation of appropriate safety devices. A Residual Current Circuit Breaker (RCCB) should be incorporated in the main distribution board. We also recommend that a Residual Current Device (RCD) is used. It is particularly important to use an RCD with portable products that are plugged into a supply which is not protected by an RCCB. If in any doubt consult a qualified electrician. You may obtain a Residual Current Device by contacting your Sealey dealer. You must also read and understand the following instructions concerning electrical safety.
- 1.1.1. The Electricity at Work Act 1989 requires that all portable electrical appliances, if used on business premises, are tested by a qualified electrician, using a Portable Appliance Tester (PAT), at least once a year.
- 1.1.2. The Health & Safety at Work Act 1974 makes owners of electrical appliances responsible for the safe condition of those appliances and the safety of the appliance operators. If in any doubt about electrical safety, contact a qualified electrician.
- 1.1.3. Ensure that the insulation on all cables and on the appliance is safe before connecting it to the power supply. See 1.1.1. and 1.1.2. and use a Portable Appliance Tester.
- 1.1.4. Ensure that cables are always protected against short circuit and overload.
- 1.1.5. Regularly inspect power supply cables and plugs for wear or damage and check all connections to ensure that none is loose.
- 1.1.6. Important: Ensure that the voltage marked on the appliance matches the power supply to be used and that the plug is fitted with the correct fuse - see fuse rating at right.
- 1.1.7. **DO NOT** pull or carry the appliance by the power cable.
- 1.1.8. **DO NOT** pull the plug from the socket by the cable.
- 1.1.9. **DO NOT** use worn or damaged cables, plugs or connectors. Immediately have any faulty item repaired or replaced by a qualified electrician. When a BS 1363/A UK 3 pin plug is damaged, cut the cable just above the plug and dispose of the plug safely. Fit a new plug according to the following instructions (UK only).
 - a) Connect the **GREEN/YELLOW** earth wire to the earth terminal 'E'.
 - b) Connect the **BROWN** live wire to the live terminal 'L'.
 - c) Connect the **BLUE** neutral wire to the neutral terminal 'N'.
 - d) After wiring, check that there are no bare wires, that all wires have been correctly connected, that the cable outer insulation extends beyond the cable restraint and that the restraint is tight. Double insulated products, which are always marked with this symbol , are fitted with live (brown) and neutral (blue) wires only. To rewire, connect the wires as indicated above. **DO NOT** connect either wire to the earth terminal.
- 1.1.10. If an extension reel is used it should be as short as possible and fully unwound before connection. A reel with an RCD fitted is preferred since any appliance plugged into it will be protected. The cable core section is important and should be at least 1.5mm², but to be absolutely sure that the capacity of the reel is suitable for this product and for others which may be used in the other output sockets, we recommend the use of 2.5mm² section cable.



1.2. GENERAL SAFETY

- WARNING!** Disconnect the heater from the mains power, before servicing or performing any maintenance. Servicing or maintenance must only be carried out by an authorised service agent.
- ✓ Check that the heater is in sound condition and good working order. *Take immediate action to repair or replace damaged parts.*
- ✓ Use recommended parts only. *Unapproved parts may be dangerous and will invalidate the warranty.*
- ✓ Keep the heater outlet a minimum of 1.8m from any walls or objects. See Fig 1. The heater has an insulating inner skin so that it can place be placed next to a wall or object but not directly touching.
- WARNING! DO NOT** use the heater near flammable material, liquids, solids, gases or compressed gas cylinders and the like.
- x **DO NOT** obstruct the air inlet and outlet sections of the heater.
- x **DO NOT** cover the heater.
- x **DO NOT** operate the heater when you are tired or under the influence of alcohol, drugs or intoxicating medication.
- x **DO NOT** touch the heater casing or grille when first switched off as these are hot and will take time to cool.
- x **DO NOT** use the heater for anything other than for its intended purpose. It is designed for providing heat in enclosed areas, no smaller than 4m³, such as workshops and other industrial areas. It is not suitable for drying clothes or laundry.
- x **DO NOT** place the heater close to a bath, wash basin, shower, swimming pool or any other water-filled area or wet surface.
- x **DO NOT** get the heater wet or use in areas of high condensation.
- x **DO NOT** place the heater up against any surface such as a wall, door or furniture etc.
- x **DO NOT** place the heater immediately below any electrical outlet.
- x **DO NOT** allow the power lead to touch the radiator surface.
- x **DO NOT** attempt to repair a damaged heater, contact an authorised service agent.
- x **DO NOT** stand on the heater.
- x **DO NOT** connect the fan heater to a timer device or other equipment than can automatically switch the heater on or off.
- ✓ Only use the heater in an horizontal position, as shown in Fig 1.
- ✓ Ensure that the heater is correctly turned off when not in use and store in a safe, dry area, out of reach of children.

EH3000 - 2 - 040207

Get In Touch

Call: 0845 6880112
 Email: info@adremit.co.uk

Our Address

Puravent, Adremit Limited, Unit 5a, Commercial Yard,
 Settle, North Yorkshire, BD24 9RH



2. SPECIFICATIONS

Electric fan heater for industrial applications. Selectable heat settings with thermostat control, plus fan only. A totally dry heat with no condensation, no gas, no fumes, so no smell. Ideal for workshops, garages etc. Supplied with power cable and 3-pin approved plug.

Voltage/Frequency	230V ~ 50Hz	Fuse	13A
Max Power	3000W	Dimensions (W x D x H)	280 x 400 x 300mm
Settings	1500/3000W	Weight	8.6kg

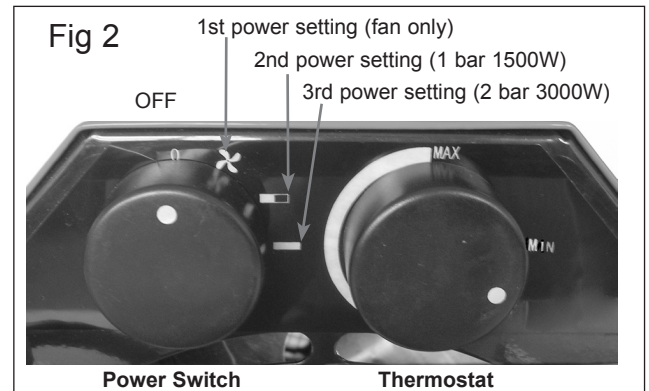
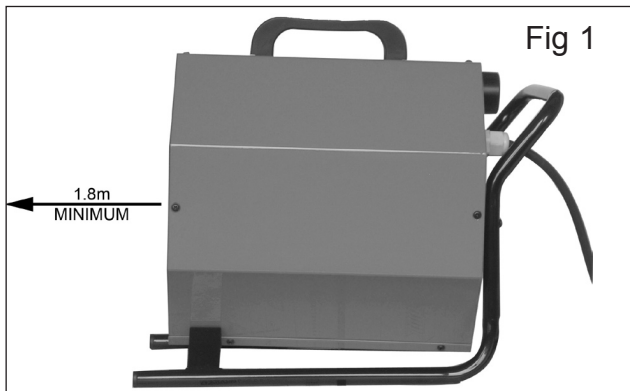
IMPORTANT! This unit is designed to raise the ambient temperature of an entire room, the temperature of the air coming out of the front of the heater will be warmer than the general temperature of the room but there may not be significant increase due to the large volume of air passing over the element. For the same reason, the element is hot during operation but does not visibly glow. The room temperature depends on room size, insulation and the ambient temperature, which will increase as the room gets warmer.

3. OPERATION

- 3.1 Position heater in an upright position on a firm surface and at a safe distance from any obstructions, flammable substances etc, see Fig 1.
- 3.2 Connect the heater to a suitable mains supply.
- 3.3 Set the thermostat dial to the maximum setting (fully clockwise).
- 3.4 The fan heater will switch on when the power setting selector is set to one of the three power settings (Fig 2).

NOTE: It will take up to three minutes for the heater to reach optimum temperature.

- 3.5 Once the room reaches the required temperature, turn the thermostat dial slowly counter-clockwise until you hear the thermostat click, this will maintain the room temperature at this setting. The fan will continue to operate until the power switch is turned to the OFF position.
- 3.6 For fan-only operation select first power setting but set thermostat to minimum.



4. MAINTENANCE

WARNING! Before attempting any maintenance ensure the unit is unplugged from the mains power supply and that it is cool.

- 4.1 Clean the heater with a soft dry cloth. **DO NOT** use abrasives or solvents.
- 4.2 Periodically check the heater grille to ensure it is not blocked.

No other maintenance is necessary. If you experience a problem with your heater or if the power lead or plug is damaged contact your local authorised service agent for repair. **DO NOT** dismantle or tamper with the heater as this may be dangerous and will invalidate your warranty.

NOTE: It will take up to three minutes for the heater elements to reach optimum temperature. This is normal and not a fault.

5. DECLARATION OF CONFORMITY

Declaration of Conformity		We, the sole importer into the UK, declare that the product listed below is in conformity with the following standards and directives.	
INDUSTRIAL FAN HEATER 3kW Model: EH3000 2006/95/EC Low Voltage Directive 2004/108/EC EMC Directive 93/68 EEC CE Marking Directive 2002/95/EC RoHS Directive 2002/96/EC WEEE Directive		The construction file for this product is held by the Manufacturer and may be inspected, by a national authority, upon request to Jack Sealey Ltd.	
		Signed by Mark Sweetman 4th February 2008	
		For Jack Sealey Ltd. Sole importer into the UK of Sealey Power Products.	

NOTE: It is our policy to continually improve products and as such we reserve the right to alter data, specifications and component parts without prior notice.

IMPORTANT: No liability is accepted for incorrect use of product.

WARRANTY: Guarantee is 12 months from purchase date, proof of which will be required for any claim.

INFORMATION: For a copy of our latest catalogue and promotions call us on 01284 757525 and leave your full name and address, including postcode.

	Sole UK Distributor Sealey Group, Bury St. Edmunds, Suffolk.	01284 757500 01284 703534	www.sealey.co.uk sales@sealey.co.uk
--	--	------------------------------	--

EH3300 - 2 - 040207

Get In Touch

Call: 0845 6880112
 Email: info@adremit.co.uk

Our Address

Puravent, Adremit Limited, Unit 5a, Commercial Yard,
Settle, North Yorkshire, BD24 9RH