



Versatile hot water air heater with centrifugal fan

The TANNER MDC is a water-supplied suspended air heater which can expel air horizontally or vertically.

The unit has a powerful centrifugal fan which means it is suitable for many applications. Mark offers a highly extensive range of accessories for the TANNER MDC allowing it to be aligned to specific client requirements.

For example, the unit can be made suitable for external air connection in combination with filtering and a mixing box for the destratification of fresh external air. The MDC is highly suitable for connection to a duct system.

The MDC is designed for use in showrooms, changing rooms, corporate hallways and garages.

Features:

- Manufactured with a corrosion-resistant aluzinc housing as standard
- Copper/aluminium heat exchanger
- Highly versatile due to extensive configuration options
- Available as 230V or 400V

mark[®]

Get In Touch



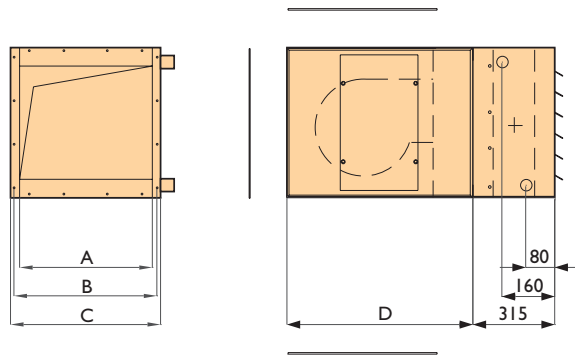
Call: [0845 6880112](tel:08456880112)



Email: info@adremit.co.uk

Our Address

Puravent, Adremit Limited, Unit 5a, Commercial Yard, Settle, North Yorkshire, BD24 9RH



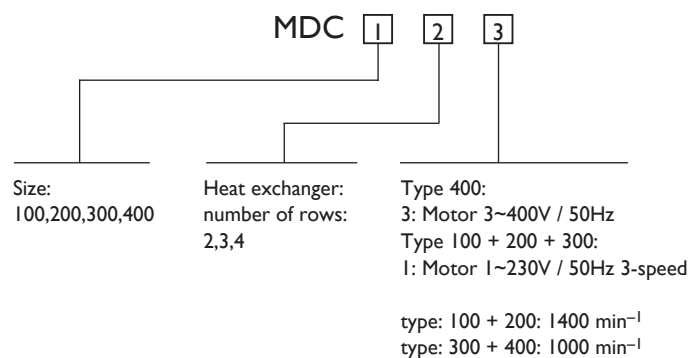
T	A mm	B mm	C mm	D mm
100	390	415	443	583
200	520	545	573	713
300	670	595	723	863
400 1.1 kW	800	835	853	993
400 1.5 kW	800	835	853	993
400 2.2 kW	800	835	853	993
400 3.0 kW	800	835	853	993

Technical information

Type		100	200	300	400	400	400	400
Air displacement minimum	m ³ /h	1.000	2.000	2.500	4.000	4.000	4.000	4.000
Air displacement maximum	m ³ /h	2.600	3.600	6.000	7.000	<7.800	<8.800	<9.300
External pressure	Pa	350	380	300	400	400	420	420
Noise level (5 m)	dB(A)	53	53	53	58	58	64	70
Supply voltage (50Hz)	V	1~230V	1~230V	1~230V	3~400V+N	3~400V+N	3~400V+N	3~400V+N
Motor	kW	0,42	0,55	0,75	1,1	1,5	2,2	3
Consumed current	A	4,4	6,3	6,8	2,8	3,7	5	6,9

See MDA tables on pages 103/104 for heat delivery.

TYPE DESIGNATION



Hot water-supplied air heaters - 116

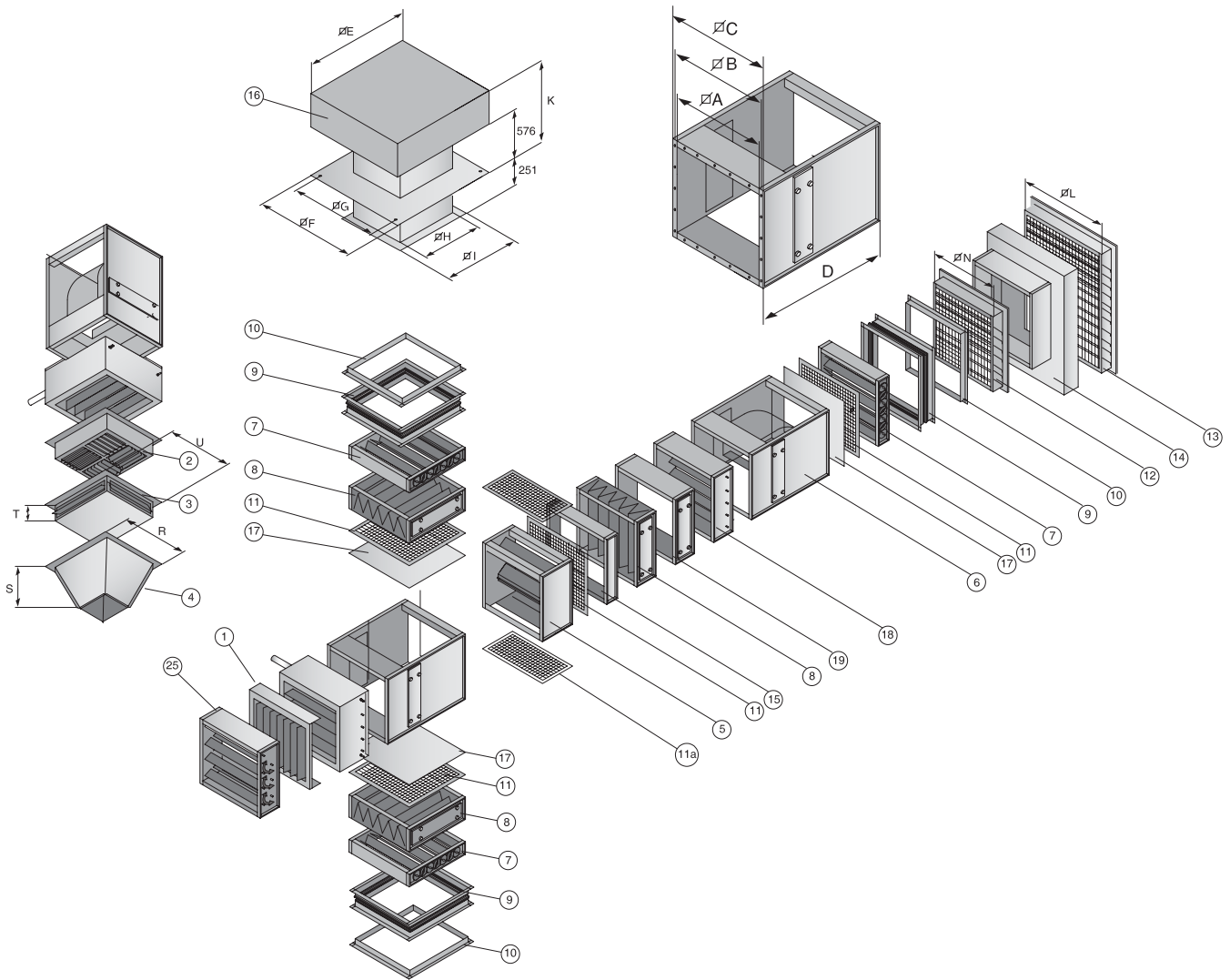
Get In Touch

Call: 0845 6880112
 Email: info@adremit.co.uk

Our Address

Puravent, Adremit Limited, Unit 5a, Commercial Yard, Settle, North Yorkshire, BD24 9RH

Accessories – additional sections



Type	A	B	C	D	E	F	G	H
100	390	415	443	463	690	740	690	380
200	520	545	573	593	920	920	820	510
300	670	695	723	743	1180	1240	975	665
400	800	835	853	873	1420	1240	1110	800

Type	I	K	L	N	R	S	T	U
100	440	800	516	386	439	212	120	406
200	570	895	666	516	573	253	151	530
300	720	940	796	666	724	300	175	680
400	850	1075	1005	796	853	329	220	815

Position	Description
1	Vertical louvres
2	Downflow hood 4-sided vertical
3	Downflow hood 4-sided horizontal
4	Destratification hood
5	Mixing box incl. dampers
6	Mixing box for dampers
7	Damper
8	Filter box with filter (EU 3)
9	Flexible connection
10	Corner profile
11	Mesh
11a	Mesh
12	Weather grill ≤ 50% fresh air intake
13	Weather grill > 50%-100% fresh air intake
14	Transition piece for 13
15	Empty section 120 mm
16	Rain cap incl. adhesive plate (aluminium)
17	Blanking plate
18	Motor protection strip
19	Empty section 240 mm
25	induction damper

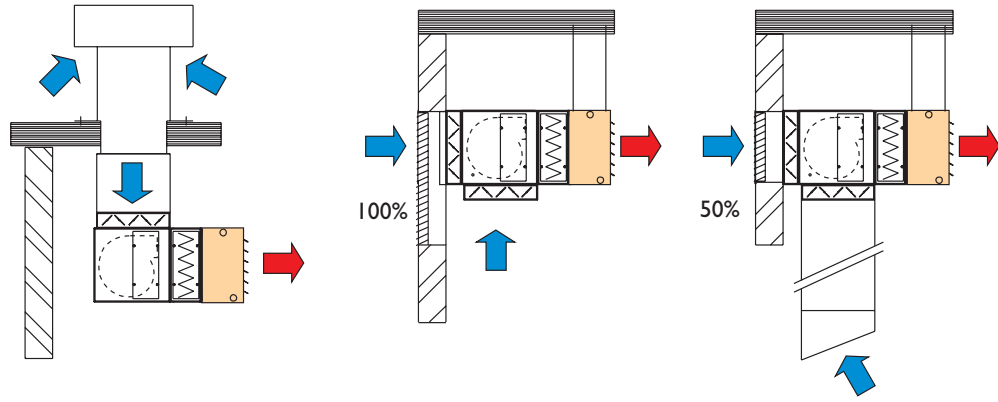
Get In Touch

Call: 0845 6880112
 Email: info@adremit.co.uk

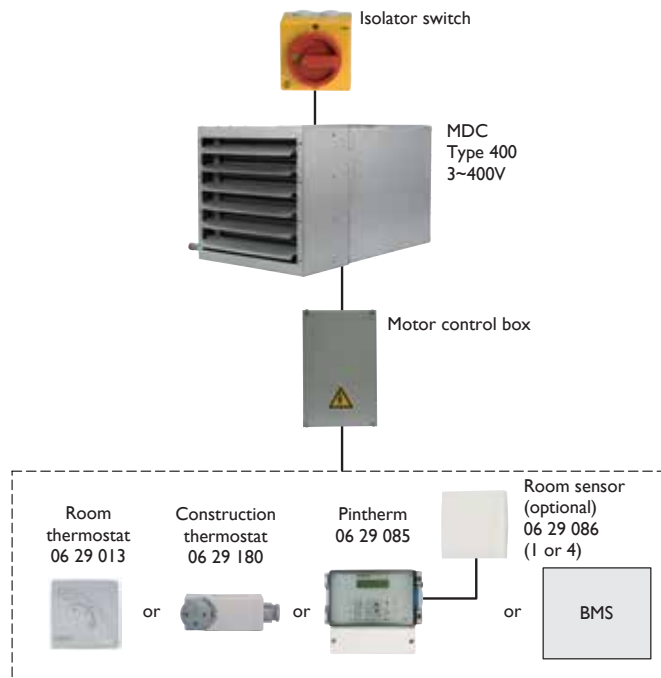
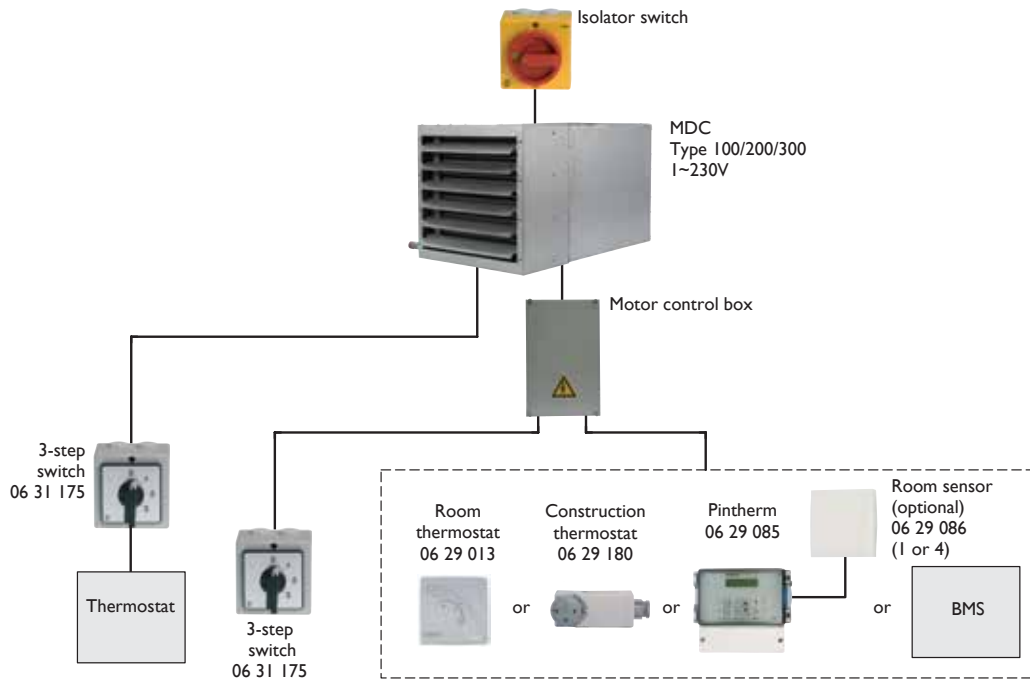
Our Address

Puravent, Adremit Limited, Unit 5a, Commercial Yard,
 Settle, North Yorkshire, BD24 9RH

Assembly/location suggestions



Controls



Hot water-supplied air heaters - 118

Get In Touch

Call: 0845 6880112
 Email: info@adremit.co.uk

Our Address

Puravent, Adremit Limited, Unit 5a, Commercial Yard,
 Settle, North Yorkshire, BD24 9RH