

SHOPHEATER



The compact gas-fired air heater

In addition to the “standard” GSD, Mark also offers a compact gas-fired suspended air heater, the Mark SHOPHEATER AR. With its low height, this air heater is excellently suited to heat low-ceiling rooms. The SHOPHEATER is equipped with an axial fan and a tube heat exchanger as standard.

The shopheater AR is also available as a vertical outlet unit.

The air heater is designed for use in showrooms, shops, multi-tenant business buildings and warehouses among other applications.

Features

- Compact construction
- Low weight
- Aluminium pipes exchanger
- Simple assembly and operation
- Painted in colour white RAL
- Low noise

mark[®]

Get In Touch

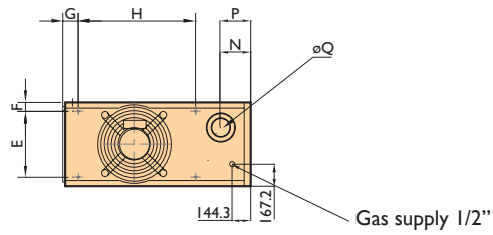
 Call: [0845 6880112](tel:08456880112)
 Email: info@adremit.co.uk

Our Address

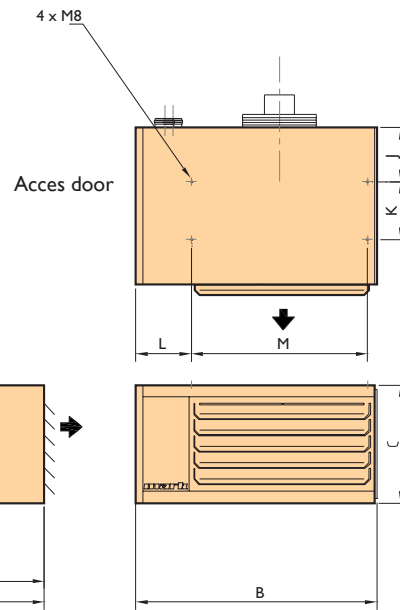
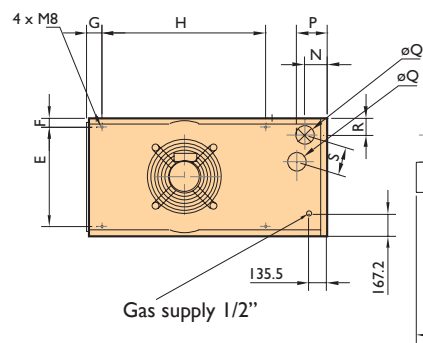
Puravent, Adremit Limited, Unit 5a, Commercial Yard,
Settle, North Yorkshire, BD24 9RH

Dimensions

TYPE AR 1.1 H



TYPE AR 2.1 H t/m 5.1 H



Typ	AR 1.1 H	AR 2.1 H	AR 3.1 H	AR 4.1 H	AR 5.1 H
A	780	800	820	820	820
B	810	1040	1040	1040	1040
C	356	460	460	510	570
D	677	677	677	677	677
E	250	380	380	430	490
F	53	40	40	40	40
G	80	100	100	100	100
H	450	677	677	709	677
J	235	235	235	235	235
K	250	250	250	250	250
L	205	225	225	235	235
M	535	765	765	765	765
N	100	85	85	97	129
P	100	113	113	123	129
ØQ	80-125	2x80	2x80	2x80	2x100
R	110	50	50	75	200
S	0	120	120	120	140

The dimensions for the vertical outlet unit are the same as those for the horizontal outlet unit.

Get In Touch

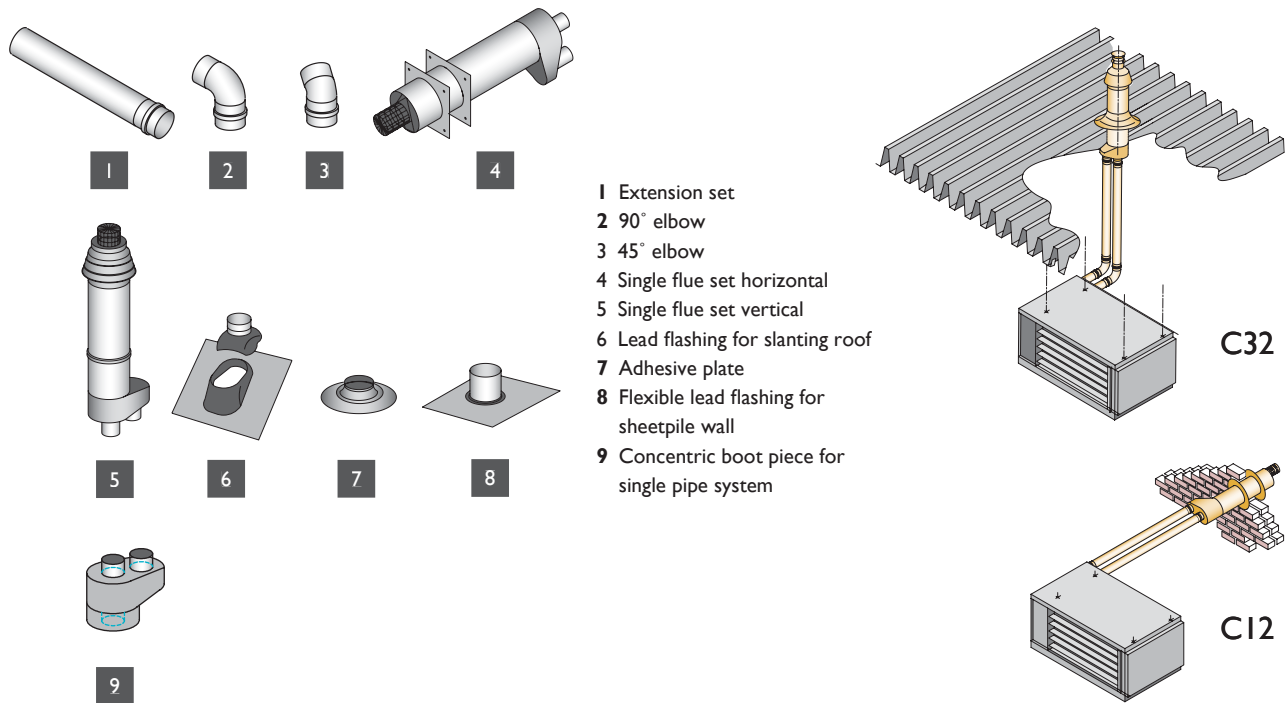
Call: [0845 6880112](tel:08456880112)
 Email: info@adremit.co.uk

Our Address

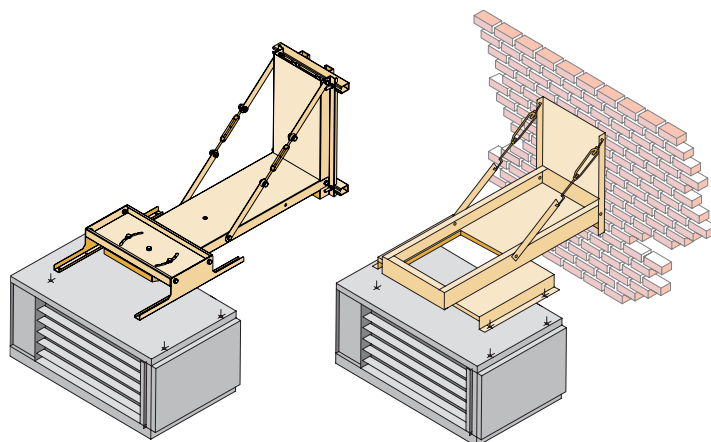
Puravent, Adremit Limited, Unit 5a, Commercial Yard,
 Settle, North Yorkshire, BD24 9RH

Type		AR 1.1 H	AR 2.1 H	AR 3.1 H	AR 4.1 H	AR 5.1 H
Nominal load (lower value)	kW	14,2	20	27	34	39
Nominal power	kW	13,1	18,4	24,8	31,3	35,9
Gas consumption G20	kg/h	1,5	2,12	2,86	3,6	4,13
Gas consumption G25	kg/h	1,76	2,35	3,18	4	4,59
Gas consumption G31	kg/h	1,11	1,56	2,11	2,66	4,23
Efficiency	%	>91	>91	>91	>91	>91
Air displacement (15°C)	m³/h	1350	1450	2050	2900	3925
Air displacement (50°C)	m³/h	1500	1650	2250	3250	4400
Throw	m	12	12	16	23	25
Supply voltage (50Hz)	V	1~230 V	1~230 V	1~230 V	1~230 V	1~230 V
Electrical power	W	290	300	310	320	450
Weight	kg	57	82	90	100	105
Noise level at 5m	dB(a)	45	47	49	54	56

Accessories – flue gas exhaust



Accessories – additional sections



Air heaters - 30

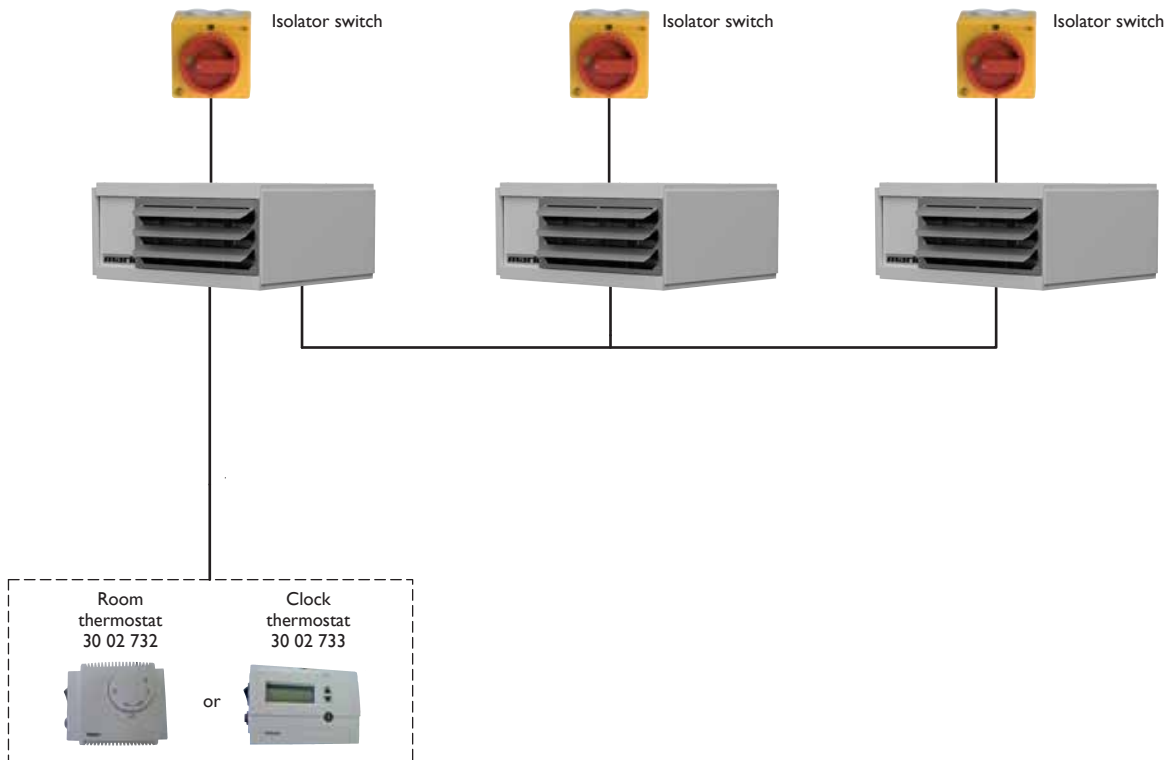
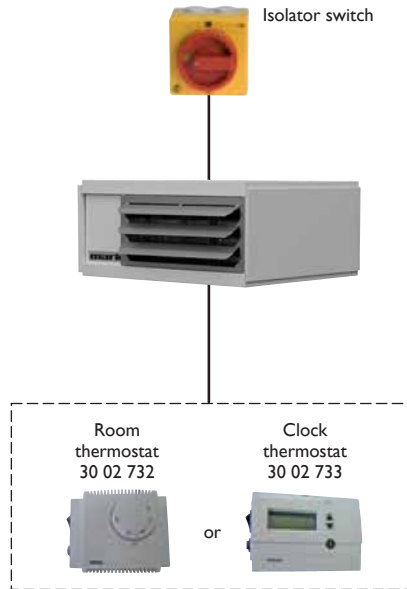
Get In Touch

Call: 0845 6880112
 Email: info@adremit.co.uk



Our Address

Puravent, Adremit Limited, Unit 5a, Commercial Yard,
 Settle, North Yorkshire, BD24 9RH

Controls



Get In Touch

 Call: [0845 6880112](tel:08456880112)
 Email: info@adremit.co.uk

Our Address

Puravent, Adremit Limited, Unit 5a, Commercial Yard,
Settle, North Yorkshire, BD24 9RH