



## Roof fan for the right air balance

The Mark MDV roof fan is designed to extract contaminated air from rooms such as working spaces or construction areas.

MDV extraction fans can be combined particularly well with one of the supply units from the Mark range, such as the GC/GC+/Rooftop.

The MDV is available with various air displacements varying from 1,840 to 15,000 m<sup>3</sup>/h. The unit is supplied with a radial fan as standard. The outer casing is made of zinc plating.

The MDV can be used in construction halls, workshops and welding areas.

Mark provides a full 2 year product warranty as standard.

### Features of the Mark MDV

- Sendzimir plating
- Radial fan with backward curved blades
- Wide selection of air displacements
- Low maintenance
- Good price

**mark**<sup>®</sup>

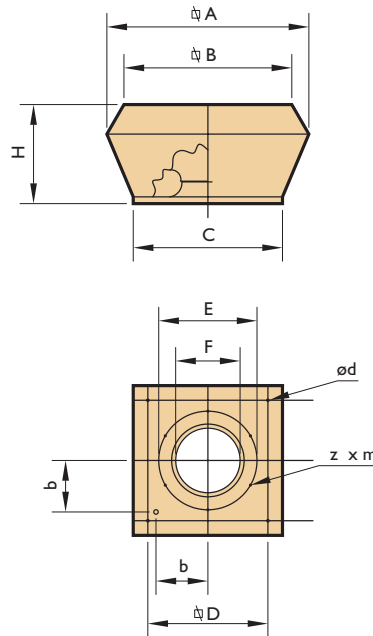
### Get In Touch

-  Call: [0845 6880112](tel:08456880112)  
 Email: [info@adremit.co.uk](mailto:info@adremit.co.uk)

### Our Address

Puravent, Adremit Limited, Unit 5a, Commercial Yard, Settle, North Yorkshire, BD24 9RH

## Dimensions



Type	A	B	C	D	E	F	H	b	z x m	ød
MDV 311	560	470	435	330	285	192	330	73	6 x M6	9.5
MDV 355	720	618	595	450	438	228	400	100	6 x M8	11.1
MDV 400	720	618	595	450	438	257	400	100	6 x M8	11.1
MDV 450	900	748	665	535	438	287	440	105	6 x M8	11.1
MDV 500	900	748	665	535	438	287	440	105	6 x M8	11.1
MDV 560	1150	1010	939	750	605	361	560	162	6 x M8	12.0
MDV 630	1150	1010	944	750	605	361	626	162	6 x M8	12.0

## Technical information

Type		MDV 311 LI	MDV 355 LI	MDV 400 LI	MDV 450 LI	MDV 500 L3	MDV 560 L3	MDV 630 L3
Supply voltage (50Hz)	V	1-230V*	1-230V*	1-230V*	1-230V*	3~400V	3~400V	3~400V
Electrical power	kW	0,17	0,31	0,52	0,74	1,25	1,8	4,1
Consumed current	A	0.90	1.35	2.20	3.20	2.30	3.40	6.80
Speed	min <sup>-1</sup>	1300	1370	1360	1280	1340	1230	1380
Maximum air displacement	m <sup>3</sup> /h	1840	2850	4100	5400	8400	10200	15600
Maximum air temperature	°C	50	65	40	60	45	40	40
Fan protection class	IP	44	54	54	54	54	54	54
Weight	kg	18	28,5	32	47,5	53	56	140
Noise level (1m)	dB(A)	72	78	77	83	85	86	93

\* 400 V on request

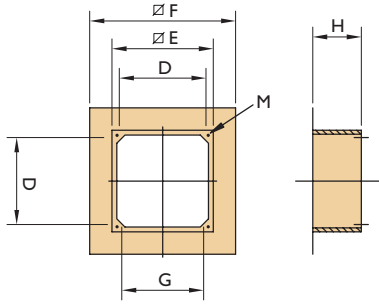
### Get In Touch

Call: [0845 6880112](tel:08456880112)  
 Email: [info@adremit.co.uk](mailto:info@adremit.co.uk)

### Our Address

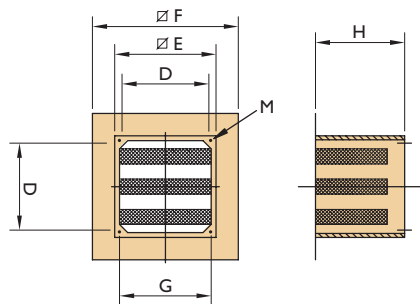
Puravent, Adremit Limited, Unit 5a, Commercial Yard,  
 Settle, North Yorkshire, BD24 9RH

## Accessories – additional sections



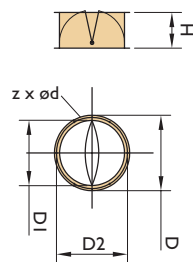
Roof spacer

Type	D	E	F	G	M	H	kg
311	330	395	710	345	M6	300	8
355/400	450	555	874	505	M10	300	10
450/500	535	625	900	565	M10	300	11
560/630	750	895	1200	835	M10	300	16



Roof spacer with silencer

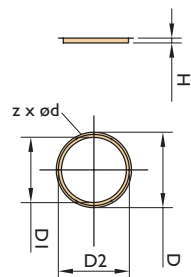
Type	D	E	F	G	M	H	kg
311	330	395	710	345	M6	500	13
355/400	450	555	874	505	M10	650	23
450/500	535	625	900	565	M10	650	25
560/630	750	895	1200	835	M10	700	47



Automatic butterfly valve

Type	D	D1	D2	z x ød	H	kg
311	306	256	285	6 x 7	156	8
355/400	464	402	438	6 x 9	220	10
450/500	464	402	438	6 x 9	220	10
560/630	639	569	605	8 x 9	255	11

The self-closing connection flange fitted with coupling flanges and is made of galvanised steel. The valve blades are made of aluminium.



Coupling flange

Type	D	D1	D2	z x ød	H	kg
311	306	256	285	6 x 7	25	0,5
355/400	464	402	438	6 x 9	30	0,6
450/500	464	402	438	6 x 9	30	0,7
560/630	639	569	605	8 x 9	30	1

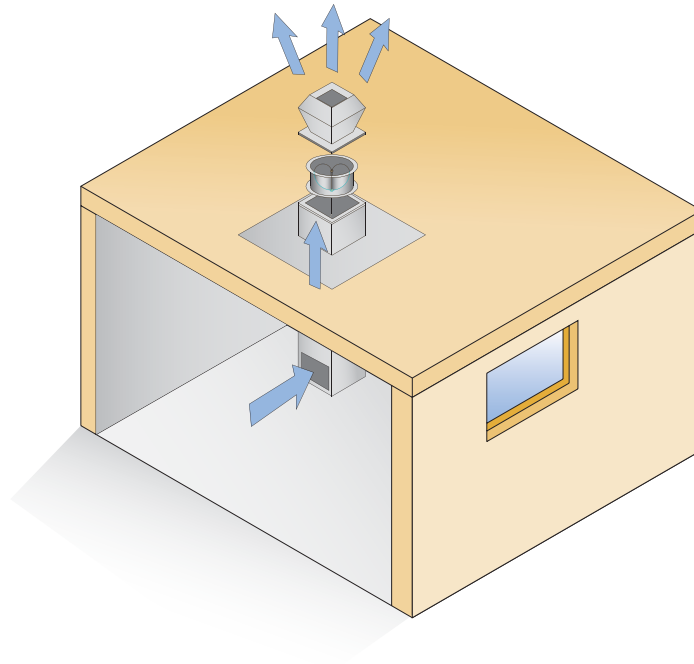
### Get In Touch

Call: 0845 6880112  
 Email: [info@adremit.co.uk](mailto:info@adremit.co.uk)

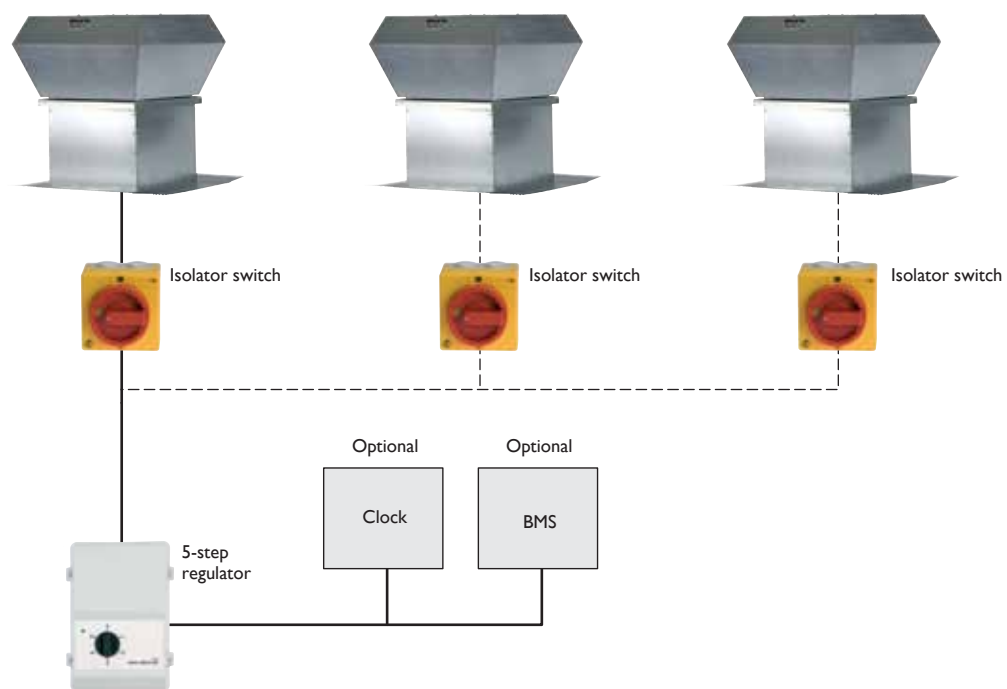
### Our Address

Puravent, Adremit Limited, Unit 5a, Commercial Yard, Settle, North Yorkshire, BD24 9RH

## Assembly/location suggestions



## Controls



### Get In Touch

Call: [0845 6880112](tel:08456880112)  
Email: [info@adremit.co.uk](mailto:info@adremit.co.uk)

### Our Address

Puravent, Adremit Limited, Unit 5a, Commercial Yard,  
Settle, North Yorkshire, BD24 9RH