



Silent, pleasant heat from a designer product

The INFRA AQUA is a water-supplied aluminium radiation panel, fitted with a glass wool insulation blanket as standard. This insulation blanket prevents heat from being radiated upwards.

This appliance offers the option of heating without displacing air. In addition, heat reaches only the location where it is required. The short warming-up period and the lower room temperature can yield good energy savings.

The INFRA AQUA has a very wide area of application in both utility and industrial buildings. The panel may even be integrated into a system ceiling.

As an option, the aluminium radiant panel can be supplied with PUR hard foam insulation. This form of insulation is frequently used if the panel is installed in rooms sensitive to bacteria.

Heating with the INFRA AQUA means heating without any draughts or displacement of air or dust.



The panel can be supplied in various widths and lengths, and in RAL 9010 white colour as standard. Other RAL-colours are available on request.

Features:

- Aluminium panel, low weight per metre.
- Aesthetically pleasing and completely flat panel.
- High heat delivery compared to steel panels
- Special designs with ventilation are possible.
- Galvanized distributors and registers possible when used in wet spaces.
- Approved in accordance with EN 14037 1-3
- Ball-resistant in accordance with DIN 18032 d13
- Glass wool insulation (PUR operational)

mark[®]

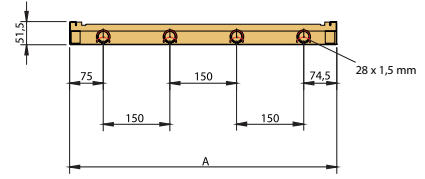
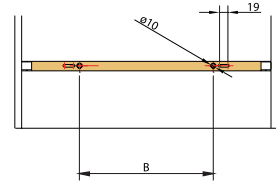
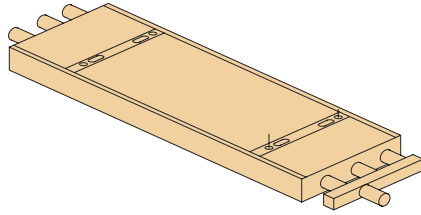
Get In Touch

 Call: [0845 6880112](tel:08456880112)
 Email: info@adremit.co.uk

Our Address

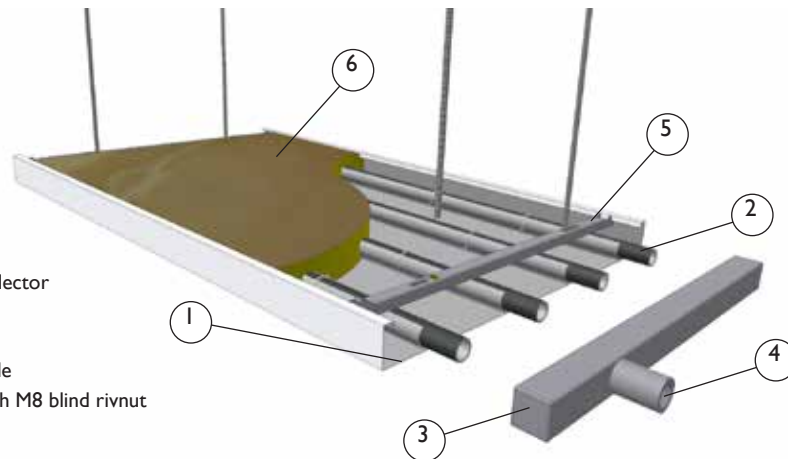
Puravent, Adremit Limited, Unit 5a, Commercial Yard, Settle, North Yorkshire, BD24 9RH

Dimensions



Type	450-3	600-4	750-5	900-6	1050-7	1200-8
Width =A	440	590	740	890	1040	1190
B in mm	200	300	450	600	750	600
Suspension points (6m)	3x2	3x2	3x2	3x2	3x2	3x2
Number of pipes	3	4	5	6	7	8

Technical information



- 1 = Aluminium radiant reflector
- 2 = Water-carrying tube
- 3 = Distributor
- 4 = Connection, water-side
- 5 = Suspension profile with M8 blind rivnut
- 6 = Insulating material

Type		450-3	600-4	750-5	900-6	1050-7	1200-8
Heat delivery 15°C (90/70°C) room temperature	W/m	289	369	446	523	600	677
Water content	kg/m	1,47	1,96	2,45	2,94	3,43	3,92
Weight of panel GLW (filled)	kg/m	6,24	8,49	10,55	12,82	14,67	16,73
Weight of panel PUR (filled)	kg/m	6,87	9,44	11,74	15,42	16,35	18,66
Weight of distributor GLW/PUR (filled)	kg/m	1,55	2,13	2,70	3,28	3,86	4,44

Water-supplied radiant heating - 96

Get In Touch

Call: [0845 6880112](tel:08456880112)
 Email: info@adremit.co.uk

Our Address

Puravent, Adremit Limited, Unit 5a, Commercial Yard,
 Settle, North Yorkshire, BD24 9RH

K	450-3	600-4	750-5	900-6	1050-7	1200-8
115	556	710	857	1004	1150	1295
110	528	675	814	954	1092	1231
105	501	640	772	904	1036	1167
100	473	605	730	855	980	1104
95	446	570	688	806	924	1041
90	419	536	647	758	869	979
85	393	502	606	710	814	917
80	366	468	565	663	760	856
75	340	435	525	616	706	796
70	314	402	485	569	653	736
69	309	395	478	560	642	724
68	304	389	470	551	632	712
67	299	382	462	542	621	700
66	294	376	454	532	611	689
65	289	369	446	523	600	677
64	284	363	438	514	590	665
63	279	356	431	505	579	653
62	274	350	423	496	569	642
61	269	343	415	487	559	630
60	264	337	407	478	548	618
59	259	331	400	469	538	607
58	254	324	392	460	528	595
57	250	318	384	451	517	584
56	244	312	377	442	507	572
55	239	305	369	433	497	561
54	234	299	362	424	487	549
53	229	293	354	416	477	538
52	224	287	347	407	467	527
51	219	280	339	398	457	515
50	215	274	332	389	447	504
49	210	268	324	380	437	493
48	205	262	317	372	427	482
47	200	256	309	363	417	470
46	195	250	302	354	407	459
45	190	244	295	346	397	448
44	186	237	287	337	387	437
43	181	231	280	329	377	426
42	176	225	273	320	368	415
41	172	219	265	312	358	404
40	167	213	258	303	348	393
39	162	207	251	295	339	382
38	158	202	244	286	329	371
37	153	196	237	278	319	361
36	148	190	230	270	310	350
35	144	184	223	261	300	339
30	121	155	188	221	254	287
25	99	127	154	181	208	235
20	78	100	121	142	164	185
15	58	74	90	105	121	137

K	450-3	600-4	750-5	900-6	1050-7	1200-8
115	218	314	404	495	588	681
110	207	298	383	469	556	644
105	196	281	362	443	525	608
100	186	265	341	417	494	572
95	175	249	320	392	464	537
90	164	233	300	367	434	502
85	154	218	279	342	404	467
80	144	202	260	317	375	434
75	134	187	240	293	347	400
70	123	172	221	270	319	368
69	121	169	217	265	313	361
68	119	166	213	260	307	355
67	117	163	209	256	302	348
66	115	160	206	251	296	342
65	113	157	202	246	291	336
64	112	155	198	242	285	329
63	110	152	194	237	280	323
62	108	149	191	233	275	317
61	106	146	187	228	269	310
60	104	143	183	223	264	304
59	102	140	180	219	258	298
58	100	137	176	214	253	292
57	98	135	172	210	248	286
56	96	132	169	206	243	279
55	94	129	165	201	237	273
54	92	126	161	197	232	267
53	90	123	158	192	227	261
52	88	121	154	188	222	255
51	86	118	151	184	216	249
50	84	115	147	179	211	243
49	82	112	144	175	206	237
48	81	110	140	171	201	232
47	79	107	137	166	196	226
46	77	104	133	162	191	220
45	75	102	130	158	186	214
44	73	99	126	154	181	208
43	71	96	123	150	176	203
42	69	94	120	145	171	197
41	68	91	116	141	166	191
40	66	88	113	137	161	186
39	64	86	109	133	157	180
38	62	83	106	129	152	174
37	60	81	103	125	147	169
36	58	78	100	121	142	163
35	57	75	96	117	138	158
30	48	63	80	98	115	131
25	39	51	65	79	92	106
20	31	40	50	61	71	82
15	23	29	37	44	52	59

K = Average water temperature - room temperature. Values for a mass flow of 0.04 litres per second/pipe.

Accessories – additional sections

Relation between minimum mass flow and return temperature

