



Unique! A heating strip ceiling

Aesthetically pleasing, robust, sound attenuating, energy and space-saving strip ceiling to heat the room.

The whole ceiling has a uniform surface temperature. The low surface temperature ensures that dust does not burn and that air displacement or draughts do not occur anywhere. The floor temperature related to this system is globally 1°C - 1.5°C higher than the ambient temperature of the room. The temperature in the ceiling will depend on the pipe distance and average water temperature.

The visible side of the ceiling consists of a 85mm broad steel strip finished in mat RAL 9010, enclosed in an aluminium supporting framework in which the water-carrying register is installed.



This register consists of steel tube rods. The register is attached to the roof structure using suspended ceiling brackets. Possible applications include: offices, sports halls, fitness rooms and showrooms.

Features

- Steel strip ceiling
- Constructed from steel pipes, aluminium contact profiles and steel strips as standard
- Covered with a 40 mm black PE sealed insulating blanket.
- Variable pipe distances possible
- RAL 9010 colour as standard.
- Other RAL colours available on request.
- 100 mm modular size
- Sound-dampening through a plenum on top of the ceiling
- Perforated model possible
- Scratch-resistant in accordance with DIN 18032 d13

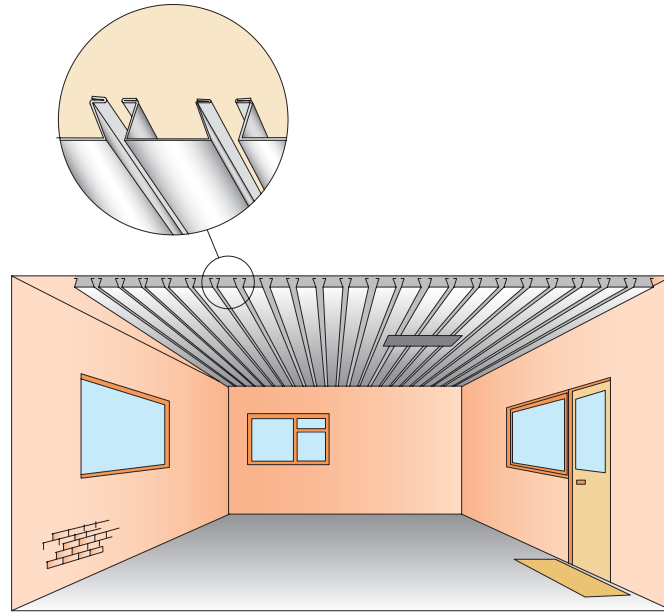
mark[®]

Get In Touch

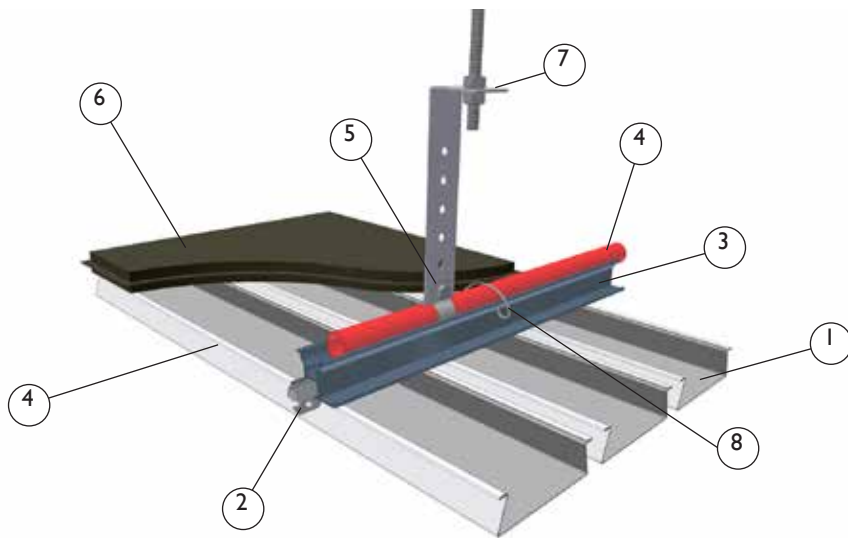
 Call: [0845 6880112](tel:08456880112)
 Email: info@adremit.co.uk

Our Address

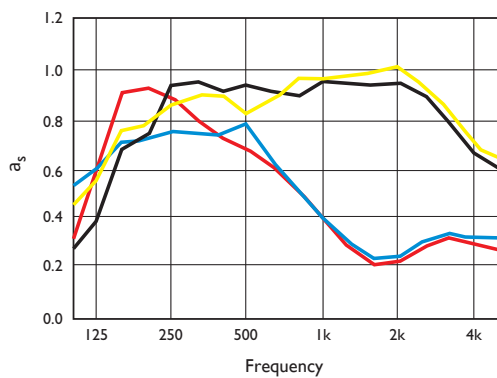
Puravent, Adremit Limited, Unit 5a, Commercial Yard,
Settle, North Yorkshire, BD24 9RH



Technical information



- 1 = Strip
- 2 = Tooth profile
- 3 = Contact profile
- 4 = Water-carrying tube
- 5 = Suspension point
- 6 = Sealed insulation blanket
- 7 = Attachment
- 8 = Fastening clip



Frequency	125	250	500	1.000	2.000	4.000	Distance to roof
—	0,44	0,88	0,92	0,94	0,93	0,69	200 mm, unperforated strip
—	0,60	0,87	0,67	0,39	0,23	0,29	400 mm, unperforated strip
—	0,61	0,75	0,72	0,40	0,25	0,31	200 mm, perforated strip
—	0,59	0,85	0,87	0,97	0,98	0,73	400 mm, perforated strip

Water-supplied radiant heating - 102

Get In Touch

Call: 0845 6880112
 Email: info@adremit.co.uk

Our Address

Puravent, Adremit Limited, Unit 5a, Commercial Yard,
 Settle, North Yorkshire, BD24 9RH