



## Economic heating and cooling using a lightweight panel

The INFRA AQUA ECO is a water-supplied radiation panel, fitted with a glass wool insulation blanket as standard. This insulation blanket prevents heat from being radiated upwards.

This appliance offers the option of heating without displacing air. In addition, heat reaches only the location where it is required. The short warming-up period and the lower room temperature can yield good energy savings.

The INFRA AQUA ECO has a very wide area of application in both utility and industrial buildings.

The panels are delivered in standard lengths of 4 or 6 metres. The panels may also be suspended in parallel with standard widths varying between 306 - 1.300 mm.



The panel is supplied in white RAL 9010 as standard. Other RAL colours are available on request.

### Features

- Simple installation / suspension
- Low weight per metre.
- High heat emission
- Galvanized finish for collectors and registers (optional)
- Linking of panels by means of press couplings
- Measured and approved in accordance with EN 14037 1-3.
- Ball-resistant

**mark**<sup>®</sup>

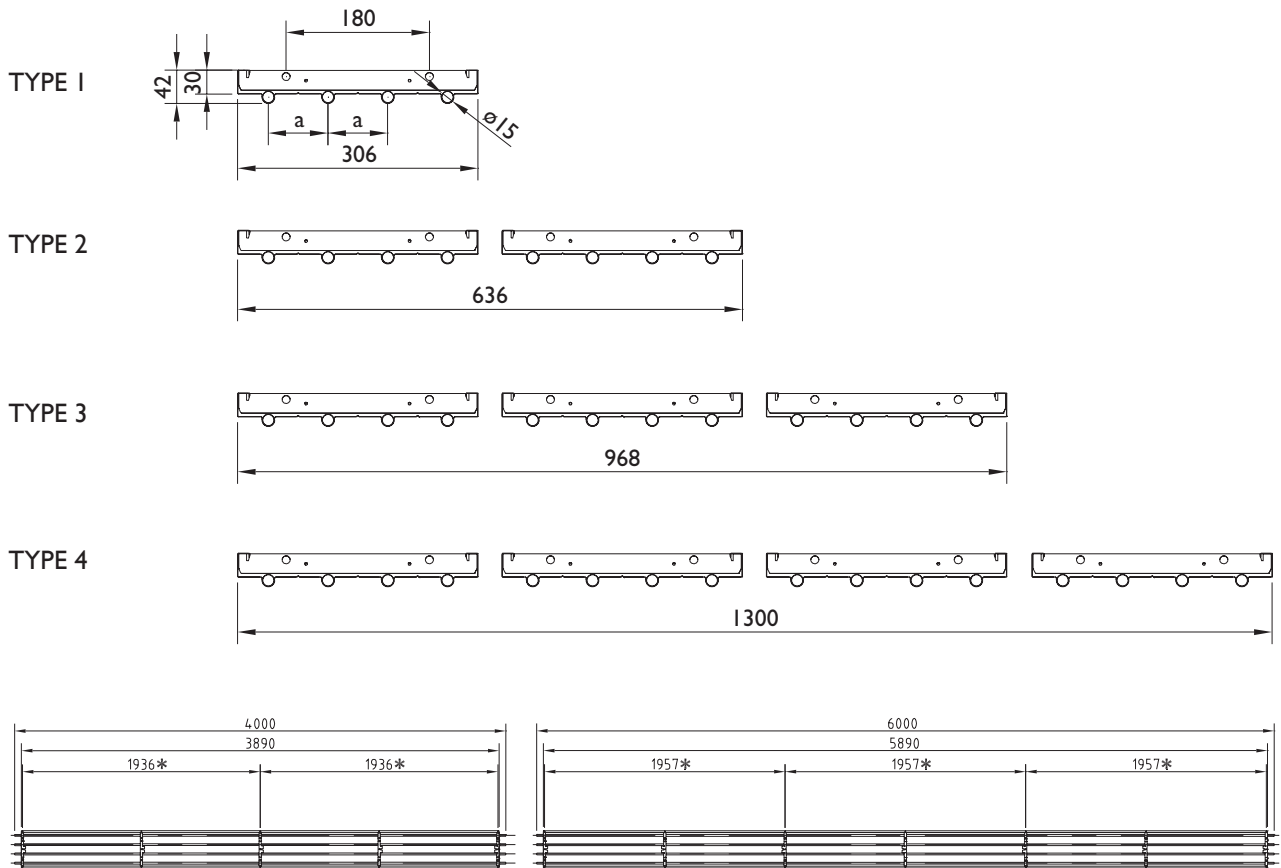
### Get In Touch

 Call: [0845 6880112](tel:08456880112)  
 Email: [info@adremit.co.uk](mailto:info@adremit.co.uk)

### Our Address

Puravent, Adremit Limited, Unit 5a, Commercial Yard,  
Settle, North Yorkshire, BD24 9RH

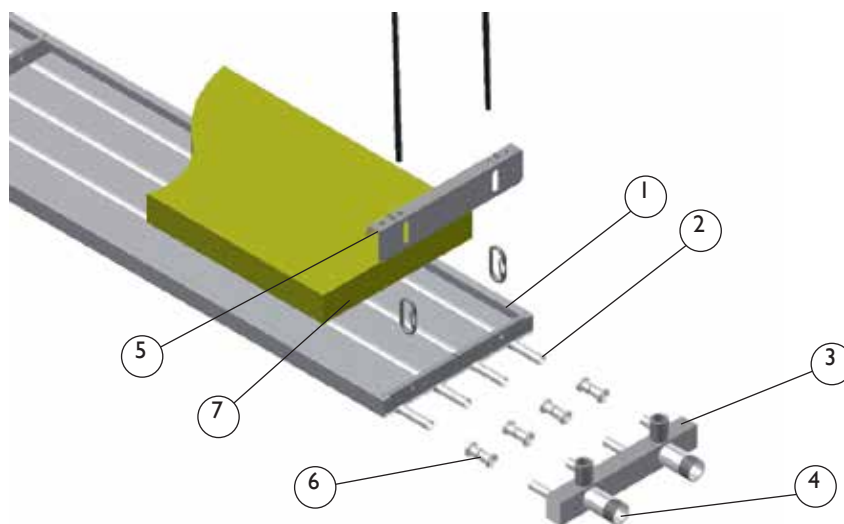
# Dimensions



| INFRA AQUA ECO   |        | Type 1 | Type 2 | Type 3 | Type 4 |
|--|--------|--------|--------|--------|--------|
| Tube distance (a)  | mm     | 75     | 75     | 75     | 75     |
| Outside diameter of tube                                 | mm     | 15     | 15     | 15     | 15     |
| Installation width of basic element                      | mm     | 306    | 636    | 968    | 1300   |
| Number of suspension points per axis                     | Pieces | 2      | 2      | 2      | 2      |
| Operating weight with water content and insulation (4 m) | kg     | 12,4   | 24,8   | 37,2   | 50     |
| Operating weight with water content and insulation (6 m) | kg     | 18,5   | 37     | 55,5   | 74     |

Max. operating temperature: 120°C. Max. operating pressure: 8 bar  
 \* Suspension points from centre point to centre point.

# Technical information



- 1 = Reflector
- 2 = Water-carrying tube
- 3 = Distributor
- 4 = 1" connection, water side
- 5 = Suspension set
- 6 = Press couplings
- 7 = Insulating material (supplied separately)

## Get In Touch

Call: 0845 6880112  
 Email: [info@adremit.co.uk](mailto:info@adremit.co.uk)

## Our Address

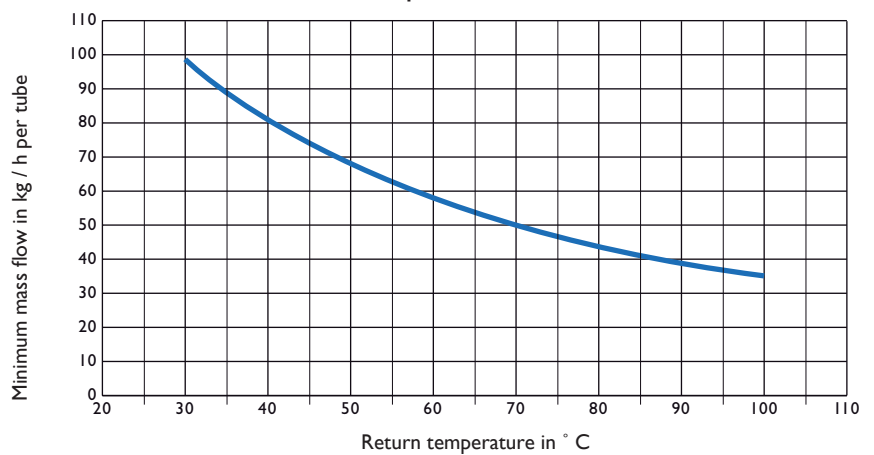
Puravent, Adremit Limited, Unit 5a, Commercial Yard, Settle, North Yorkshire, BD24 9RH

| Medium over temp |        |        |        |        | Medium over temp |        |        |        |        |
|------------------|--------|--------|--------|--------|------------------|--------|--------|--------|--------|
| K                | Type 1 | Type 2 | Type 3 | Type 4 | K                | Type 1 | Type 2 | Type 3 | Type 4 |
| 115              | 476    | 952    | 1428   | 1904   | 115              | 165    | 330    | 494    | 659    |
| 110              | 451    | 903    | 1354   | 1806   | 110              | 156    | 312    | 468    | 624    |
| 105              | 427    | 855    | 1282   | 1709   | 105              | 147    | 295    | 442    | 590    |
| 100              | 403    | 807    | 1210   | 1613   | 100              | 139    | 278    | 417    | 556    |
| 95               | 380    | 759    | 1139   | 1518   | 95               | 131    | 261    | 392    | 522    |
| 90               | 356    | 712    | 1068   | 1424   | 90               | 122    | 244    | 367    | 489    |
| 85               | 333    | 666    | 998    | 1331   | 85               | 114    | 228    | 342    | 456    |
| 80               | 310    | 619    | 929    | 1239   | 80               | 106    | 212    | 318    | 423    |
| 75               | 287    | 574    | 861    | 1148   | 75               | 98     | 196    | 293    | 391    |
| 70               | 264    | 529    | 793    | 1058   | 70               | 90     | 180    | 270    | 360    |
| 69               | 260    | 520    | 780    | 1040   | 69               | 88     | 177    | 265    | 353    |
| 68               | 256    | 511    | 767    | 1022   | 68               | 87     | 174    | 260    | 347    |
| 67               | 251    | 502    | 753    | 1004   | 67               | 85     | 170    | 256    | 341    |
| 66               | 247    | 493    | 740    | 987    | 66               | 84     | 167    | 251    | 335    |
| 65               | 242    | 485    | 727    | 969    | 65               | 82     | 164    | 246    | 329    |
| 64               | 238    | 476    | 714    | 951    | 64               | 81     | 161    | 242    | 322    |
| 63               | 233    | 467    | 700    | 934    | 63               | 79     | 158    | 237    | 316    |
| 62               | 229    | 458    | 687    | 916    | 62               | 78     | 155    | 233    | 310    |
| 61               | 225    | 449    | 674    | 899    | 61               | 76     | 152    | 228    | 304    |
| 60               | 220    | 441    | 661    | 881    | 60               | 74     | 149    | 223    | 298    |
| 59               | 216    | 432    | 648    | 864    | 59               | 73     | 146    | 219    | 292    |
| 58               | 212    | 423    | 635    | 847    | 58               | 71     | 143    | 214    | 286    |
| 57               | 207    | 415    | 622    | 830    | 57               | 70     | 140    | 210    | 280    |
| 56               | 203    | 406    | 609    | 812    | 56               | 68     | 137    | 205    | 274    |
| 55               | 199    | 398    | 596    | 795    | 55               | 67     | 134    | 201    | 268    |
| 54               | 195    | 389    | 584    | 778    | 54               | 66     | 131    | 197    | 262    |
| 53               | 190    | 381    | 571    | 761    | 53               | 64     | 128    | 192    | 256    |
| 52               | 186    | 372    | 558    | 744    | 52               | 63     | 125    | 188    | 250    |
| 51               | 182    | 364    | 545    | 727    | 51               | 61     | 122    | 183    | 244    |
| 50               | 178    | 355    | 533    | 710    | 50               | 60     | 119    | 179    | 239    |
| 49               | 173    | 347    | 520    | 694    | 49               | 58     | 116    | 175    | 233    |
| 48               | 169    | 338    | 508    | 677    | 48               | 57     | 113    | 170    | 227    |
| 47               | 165    | 330    | 495    | 660    | 47               | 55     | 111    | 166    | 221    |
| 46               | 161    | 322    | 483    | 644    | 46               | 54     | 108    | 162    | 215    |
| 45               | 157    | 314    | 470    | 627    | 45               | 52     | 105    | 157    | 210    |
| 44               | 153    | 305    | 458    | 611    | 44               | 51     | 102    | 153    | 204    |
| 43               | 149    | 297    | 446    | 594    | 43               | 50     | 99     | 149    | 198    |
| 42               | 144    | 289    | 433    | 578    | 42               | 48     | 96     | 145    | 193    |
| 41               | 140    | 281    | 421    | 562    | 41               | 47     | 94     | 140    | 187    |
| 40               | 136    | 273    | 409    | 546    | 40               | 45     | 91     | 136    | 182    |
| 39               | 132    | 265    | 397    | 529    | 39               | 44     | 88     | 132    | 176    |
| 38               | 128    | 257    | 385    | 513    | 38               | 43     | 85     | 128    | 171    |
| 37               | 124    | 249    | 373    | 497    | 37               | 41     | 83     | 124    | 165    |
| 36               | 120    | 241    | 361    | 482    | 36               | 40     | 80     | 120    | 160    |
| 35               | 116    | 233    | 349    | 466    | 35               | 39     | 77     | 116    | 154    |
| 30               | 97     | 194    | 291    | 388    | 30               | 32     | 64     | 96     | 128    |
| 25               | 78     | 156    | 235    | 313    | 25               | 26     | 51     | 77     | 102    |
| 20               | 60     | 120    | 180    | 240    | 20               | 19     | 39     | 58     | 78     |
| 15               | 43     | 85     | 128    | 171    | 15               | 14     | 27     | 41     | 55     |

Heat delivery table for panels in W/m in accordance with EN 14037 1-3

Heat delivery table per 2 distributors in W/unit in accordance with EN 14037 1-3

**Relation between minimum mass flow and return temperature**



Water-supplied radiant heating - 100

**Get In Touch**

Call: [0845 6880112](tel:08456880112)  
 Email: [info@adremit.co.uk](mailto:info@adremit.co.uk)

**Our Address**

Puravent, Adremit Limited, Unit 5a, Commercial Yard, Settle, North Yorkshire, BD24 9RH