



Environmentally friendly heating with the GS+

Mark manufactures a gas-fired, high-performance air heater with an axial fan. This condensing equipment provides efficiency greater than 106% (lower value). Heat is generated via a modulating (5:1) premix-burner which results in very low gas consumption. The GS+ is operated using an OpenTherm clock thermostat.

The GS+ is suitable in many situations due to its extensive capacity range from 35 to 150 kW.

The GS+ is designed to heat garages, warehouses, distribution centres and showrooms.

Mark provides a 2 year full product warranty as standard and up to 10 years reducing warranty with the stainless steel heat exchanger.

Features of the Mark GS+

- Efficiency >106%
- Energy-saving
- Environmentally-friendly
- Modulating premix burner
- Outlet temperature sensor
- Low temperature rise of the exit air
- Low thermal stratification of the heated air
- Stainless steel heat exchanger
- Condensation/frost sensor
- Corrosion-resistant aluzinc housing
- OpenTherm thermostat or 0-10 volt regulation

Standard equipment

- Stainless steel combustion chamber & heat exchanger
- Closed combustion circuit
- Advanced modulating burner technology
- Electronic ignition
- Low NO_x
- Powerful axial fan(s)
- Downflow hood with horizontal louvres
- CE-approval
- PIN 0063BP3341
- Eco-label: BP005 (NL)
- HR-TOP (BE)
- Carbon trust (UK)

mark®

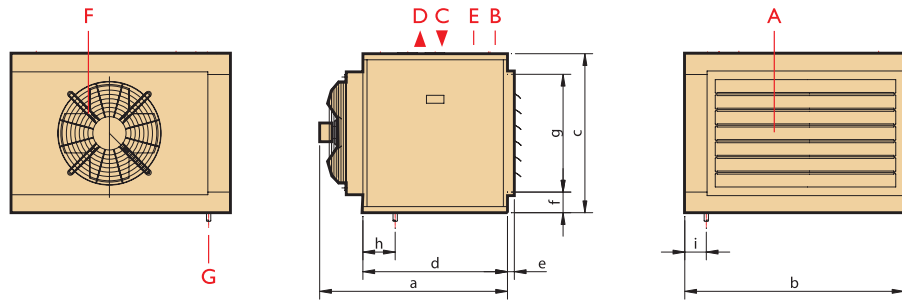
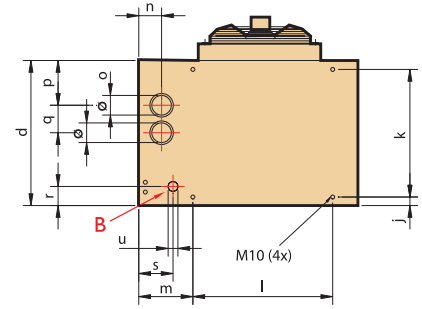
Get In Touch

Call: [0845 6880112](tel:08456880112)
 Email: info@adremit.co.uk

Our Address

Puravent, Adremit Limited, Unit 5a, Commercial Yard,
 Settle, North Yorkshire, BD24 9RH

- A = Horizontal louvres
- B = Gas connection
- C = Combustion air inlet
- D = Flue gas exhaust
- E = Electrical connection
- F = Axial fan
- G = Condensation connection diam. 40 mm



Type	a	b	c	d	e	f	g	h	i	j	k	l	m	n	o	p	q	r	s	u
35	969	875	810	739	35	105	600	165	110	90	560	470	275	120	80	240	120	97	175	3/4"
40	969	875	810	739	35	105	600	165	110	90	560	470	275	120	80	240	120	97	175	3/4"
60	969	1120	810	739	35	105	600	165	110	90	560	715	275	120	100	230	140	97	175	3/4"
80	969	1305	810	739	35	105	600	165	110	90	560	890	275	120	100	230	140	97	175	1"
100	979	1595	810	739	35	105	600	165	110	90	560	1180	275	120	100	230	140	97	175	1"
150	1180	1890	1000	1000	35	105	790	190	175	75	850	1455	295	165	130	235	225	140	170	1"

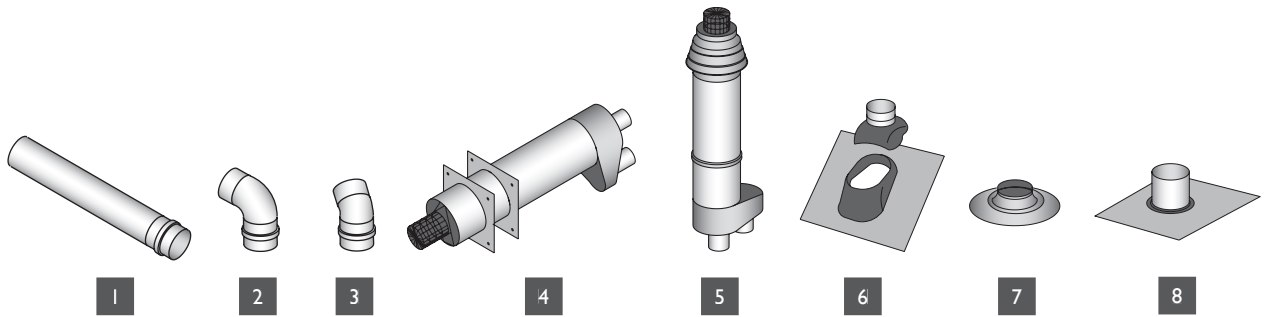
Technical information

Type		35	40	60	80	100	150
Nominal load (upper value)	kW	38,8	44,4	66,7	88,8	114,4	166,7
Nominal load (lower value)	kW	34,9	40	60	80	103	150
Efficiency at 100% full load	%	95,7	94,8	94,2	94,3	94,2	94,8
Efficiency at 30% partial load	%	105,7	105,7	105,8	105,8	105,6	104,9
Efficiency at min. load	%	107,3	107,3	107,4	106,2	106,3	107,0
Burner turndown ratio	+/-	5:1	5:1	5:1	5:1	5:1	5:1
Gas consumption G20 (15°C)	m ³ /h	3,65-0,88	4,18-0,88	6,22-1,34	8,16-2,25	10,67-2,94	15,30-3,37
Gas consumption G25 (15°C)	m ³ /h	4,10-1,02	4,73-1,02	7,03-1,47	9,30-2,57	11,98-3,23	17,05-3,75
Gas consumption G30 (15°C)	kg/h	2,92-0,72	3,46-0,72	5,05-1,11	6,70-1,89	8,48-2,48	12,35-2,72
Gas consumption G31 (15°C)	kg/h	2,68-0,64	3,17-0,64	4,72-1,04	6,22-1,72	8,03-2,29	11,69-2,57
Air displacement (20°C)	m ³ /h	5000	5000	6500	10000	12500	18500
Delta T (ΔT)	K	20,0	22,8	26,3	22,8	23,5	23,1
Throw	m	28-36	26-36	26-36	32-46	36-50	48-68
Weight of GS+	kg	95	95	111	136	155	195
Noise level (5 m, side)	dB(A)	48	48	51	52	52	58
Electrical power at 230V	W	300	300	400	650	750	1400
Consumed current	A	1,4	1,4	1,8	3,0	3,75	7,0

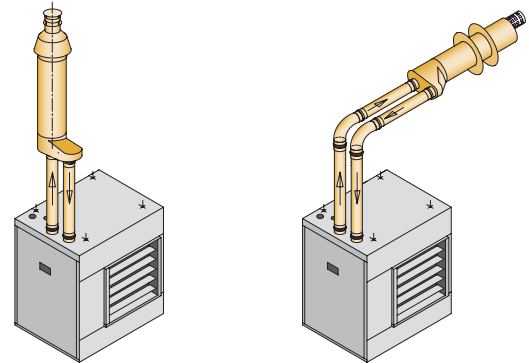
• Delta T max. 45K

G25 = Natural gas
 G20 = Natural gas
 G31 = Propane
 G30 = Butane

Accessories – flue gas exhaust

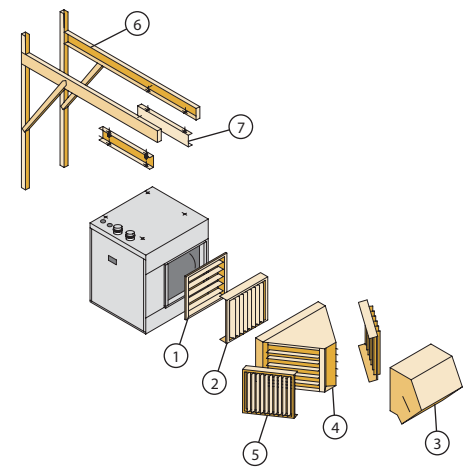


- | | |
|------------------------------|---|
| 1 Extension set | 6 Lead flashing for pitched roof |
| 2 90° elbow | 7 Adhesive plate |
| 3 45° elbow | 8 Flexible lead flashing for cladded roof |
| 4 Single flue set horizontal | |
| 5 Single flue set vertical | |

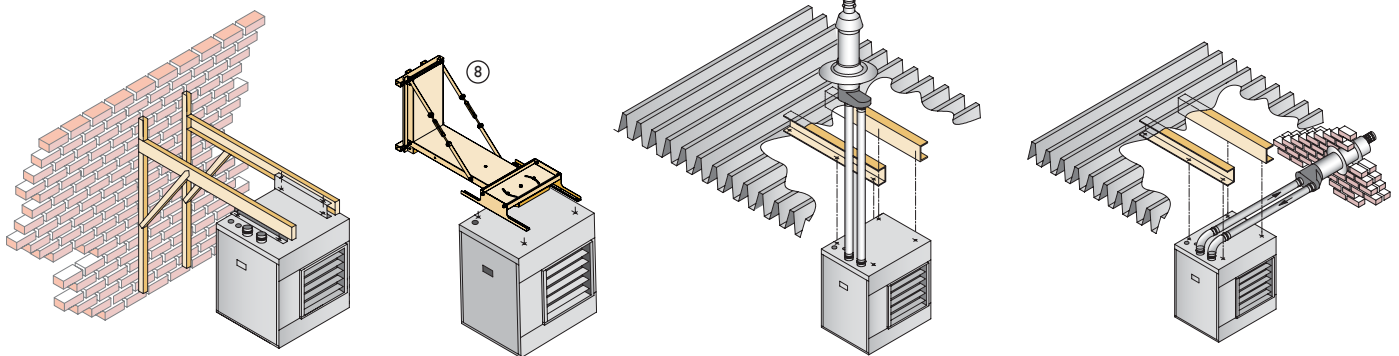


Accessories – additional sections

- 1 = Horizontal louvers (standard)
- 2 = Vertical louvres
- 3 = Downflow hood 45°
- 4 = Diffuser (2 x 45°) and horizontal louvres
- 5 = Vertical louvres for diffuser
- 6 = Set of wall mounting brackets
- 7 = Shock absorbers set
- 8 = Reversible wall bracket



Assembly/location suggestions

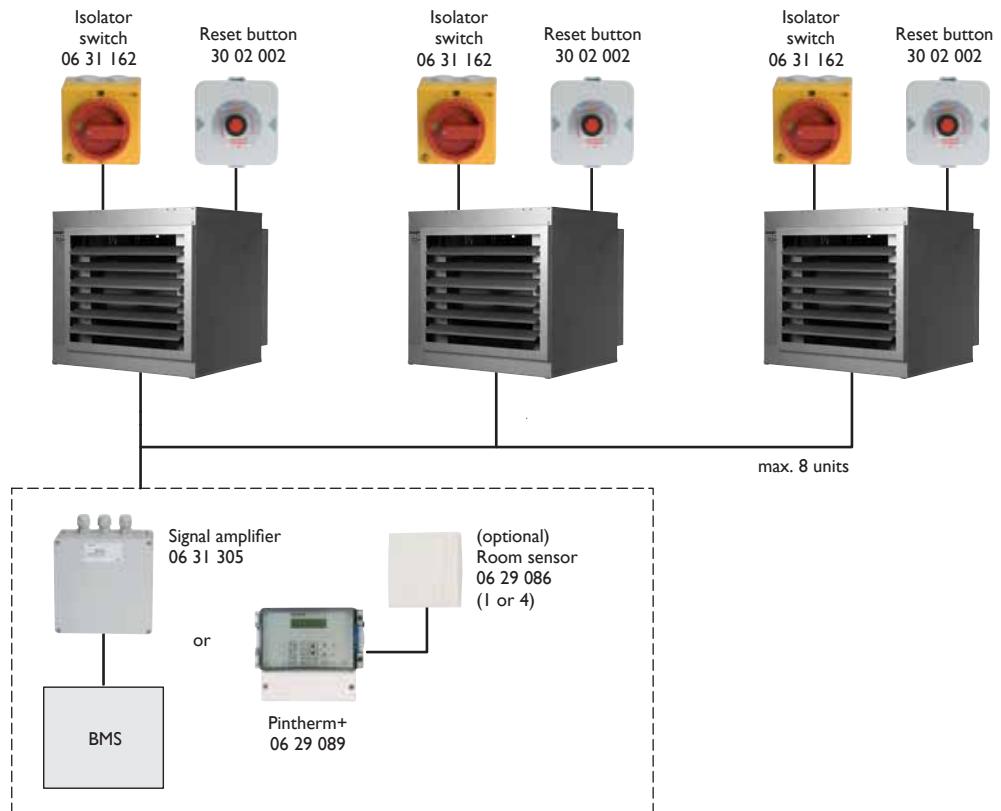
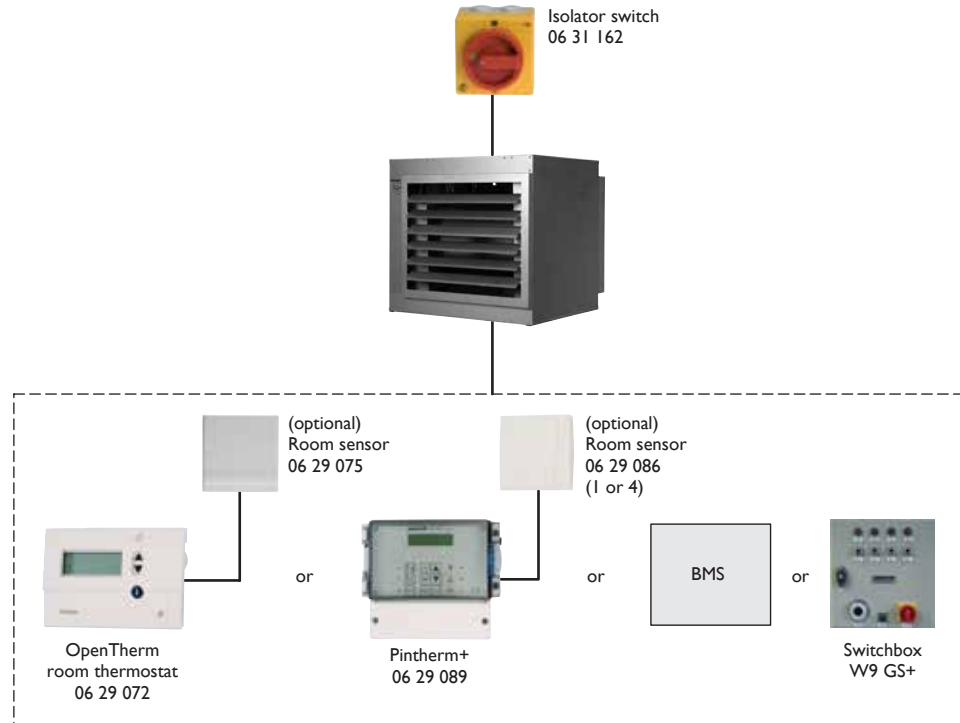


Get In Touch

Call: [0845 6880112](tel:08456880112)
 Email: info@adremit.co.uk

Our Address

Puravent, Adremit Limited, Unit 5a, Commercial Yard,
 Settle, North Yorkshire, BD24 9RH



Project-specific controls available on request.

Air heaters - 10

Get In Touch

Call: 0845 6880112
Email: info@adremit.co.uk

Our Address

Puravent, Adremit Limited, Unit 5a, Commercial Yard,
Settle, North Yorkshire, BD24 9RH