



The indestructible “bestseller”

We have manufactured more than 350,000 GS gas-fired suspended air heaters over the past 65 years.

In the light of all the experience gathered over previous years, Mark provides a 2 year product warranty and a 10 year reducing warranty on the standard stainless steel heat exchanger. A 25 year lifespan is no exception for a GSD. The Mark GSD can be used in many areas of application, and the heat exchanger, for example, can be used in garages, warehouses, workshops and other large rooms.

The extensive range of 9 different appliances varying from 20 kW to 95 kW means precisely the right appliance can be selected whatever the project.

Features of the Mark GSD

- Efficiency \geq 90%
- Closed appliance
- Low noise level
- Stainless steel AISI 409 heat exchanger
- Stainless steel AISI 321 burners
- Aluzinc coating
- Axial fan
- Electronic ignition
- Reliable
- Long lifespan
- 2-wire control
- Control of 1-8 units is possible
- Zone optimisation control possible
- Temperature gradient control possible

mark®

Get In Touch

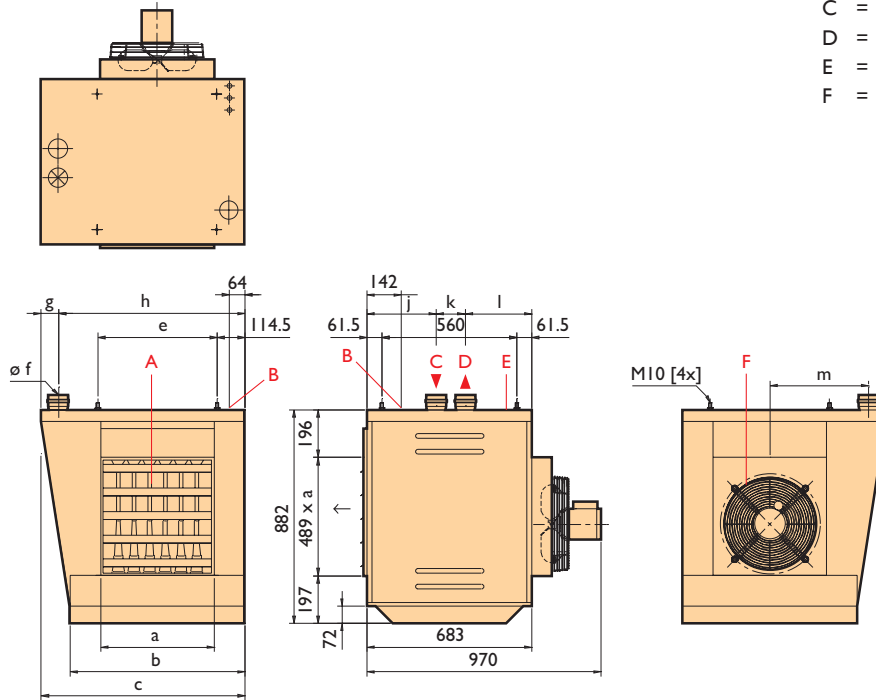
 Call: [0845 6880112](tel:08456880112)
 Email: info@adremit.co.uk

Our Address

Puravent, Adremit Limited, Unit 5a, Commercial Yard,
Settle, North Yorkshire, BD24 9RH

Dimensions

- A = Horizontal louvres
- B = Gas connection 3/4" internal
- C = Combustion air inlet
- D = Flue gas exhaust
- E = Electrical connection
- F = Axial fan





Type	a	b	c	e	f	g	h	j	k	l	m
20/22	340	594	714	365	80	72	642	276	120	287	345
25/27	405	659	779	430	80	72	707	276	120	287	377,5
30/35	470	724	844	495	80	72	772	276	120	287	410
40/45	600	854	974	625	80	72	902	276	120	287	475
50/56	730	984	1104	755	100	72	1032	256	140	287	540
60/65	860	1114	1289	885	100	92	1197	231	140	312	640
80	1120	1374	1549	1145	100	92	1457	231	140	312	770
90	1120	1374	1549	1145	100	92	1457	231	140	312	770
95	1120	1374	1549	1145	100	92	1457	231	140	312	770

Technical information

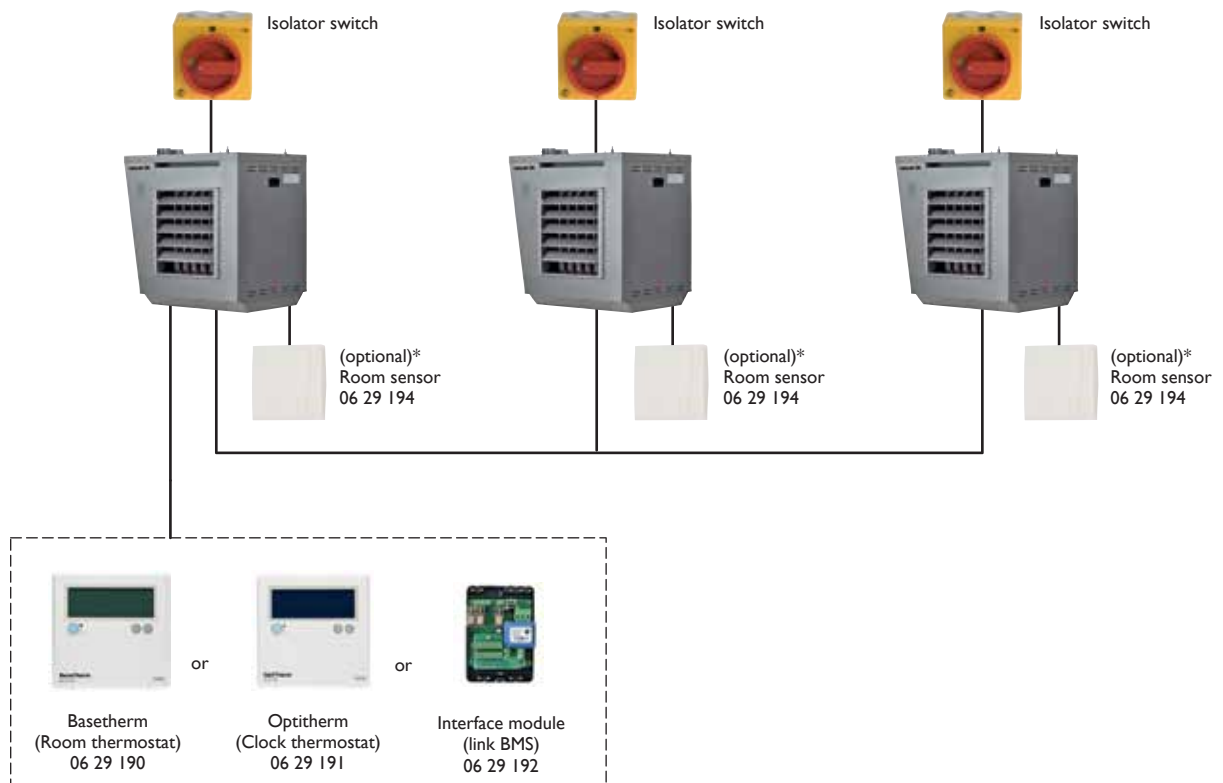
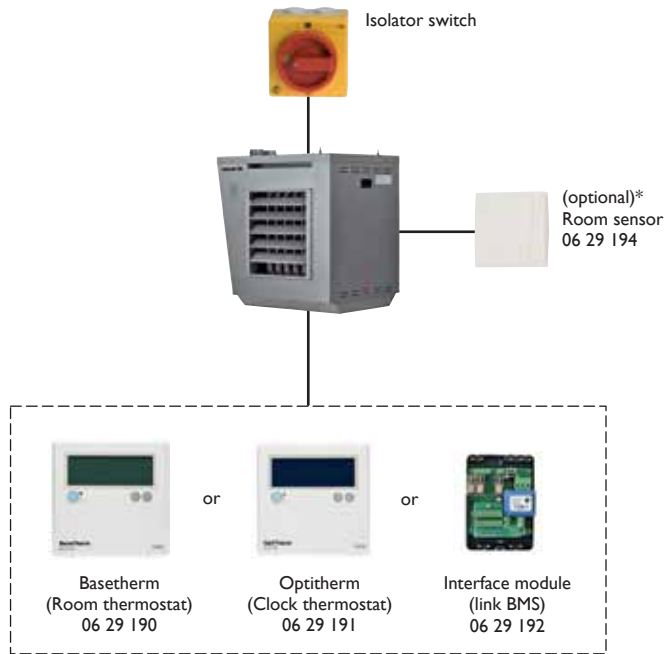
Type		22	27	35	45	56	65	80	90	95
Nominal power	kW	21,8	27,2	32,7	43,6	54,5	65,3	80,4	87,1	95,8
Nominal load (lower value)	kW	24,2	30,2	36,3	48,4	60,5	72,6	89,3	96,8	106,5
Air displacement (15°C)	m³/h	2190	2730	3320	4425	5525	6635	8845	8845	8845
Gas consumption G25 (15°C natural gas)	m³/h	3	3,6	4,4	5,9	7,1	8,7	10,6	11,6	12,8
Gas consumption G20 (15°C natural gas)	m³/h	2,6	3,1	3,8	5,1	6,3	7,6	9,3	10,1	11,1
Gas consumption G31 (15°C propane)	kg/h	--	--	--	--	--	--	6.94	--	--
Gas consumption G30 (15°C butane)	kg/h	--	--	--	--	--	--	7.04	--	--
Delta T (ΔT)	K	31	31	31	31	31	31	29	31	34
Weight of GSD	kg	100	106	113	131	147	170	205	205	205
Throw	m	13	15	18	24	26	28	30	30	28
Electrical power at 230V	W	620	620	620	620	620	980	980	980	980
Consumed current	A	3,2	3,2	3,2	3,2	3,2	5	5	5	5
Sound level at 5 metres	dB(A)	46	47	49	50	50	54	54	54	54

Get In Touch

 Call: [0845 6880112](tel:08456880112)
 Email: info@adremit.co.uk

Our Address

Puravent, Adremit Limited, Unit 5a, Commercial Yard, Settle, North Yorkshire, BD24 9RH



* Only in combination with Optitherm

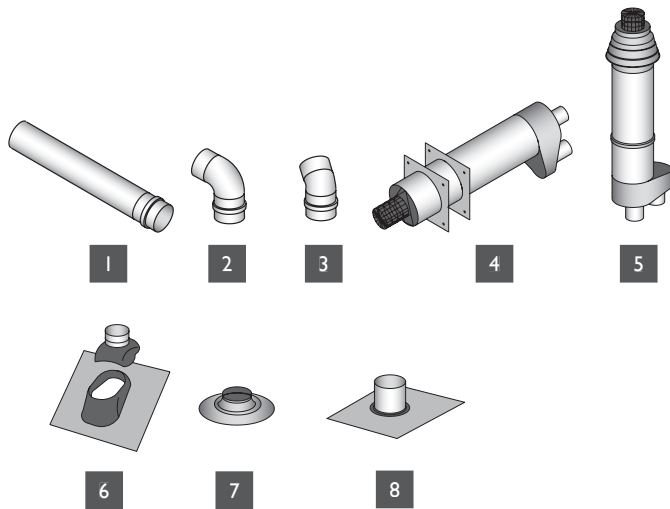
Get In Touch

 **Call:** 0845 6880112
 **Email:** info@adremit.co.uk

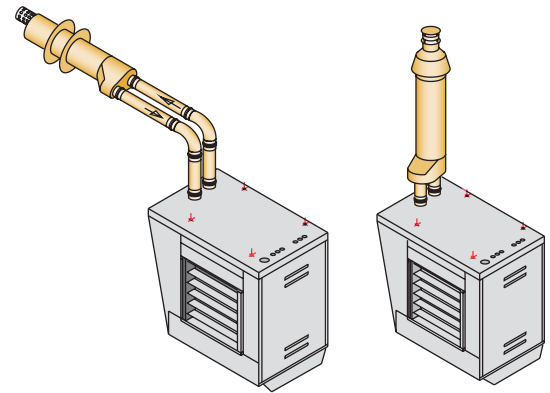
Our Address

Puravent, Adremit Limited, Unit 5a, Commercial Yard,
 Settle, North Yorkshire, BD24 9RH

Accessories – flue gas exhaust



- | | |
|------------------------------|---|
| 1 Extension set | 6 Lead flashing for pitched roof |
| 2 90° elbow | 7 Adhesive plate |
| 3 45° elbow | 8 Flexible lead flashing for cladded roof |
| 4 Single flue set horizontal | |
| 5 Single flue set vertical | |



Type 22-90

The maximum length of the intake and flue pipe is 6m incl. 2 sets of 90° elbows.

Type 95 ø100

The maximum length of the intake and flue pipe is 1m incl. 1 sets of 90° elbows.

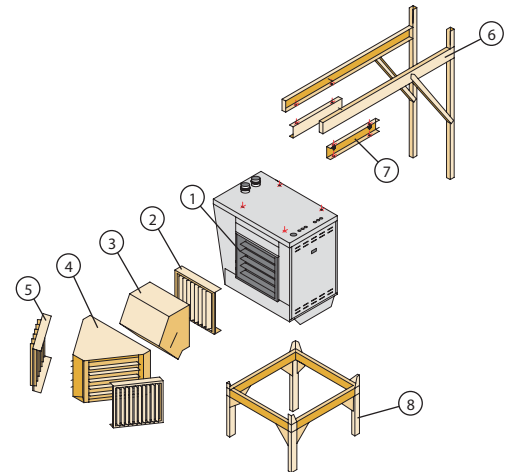
Type 95 ø130

The maximum length of the intake and flue pipe is 6m incl. 2 sets of 90° elbows.

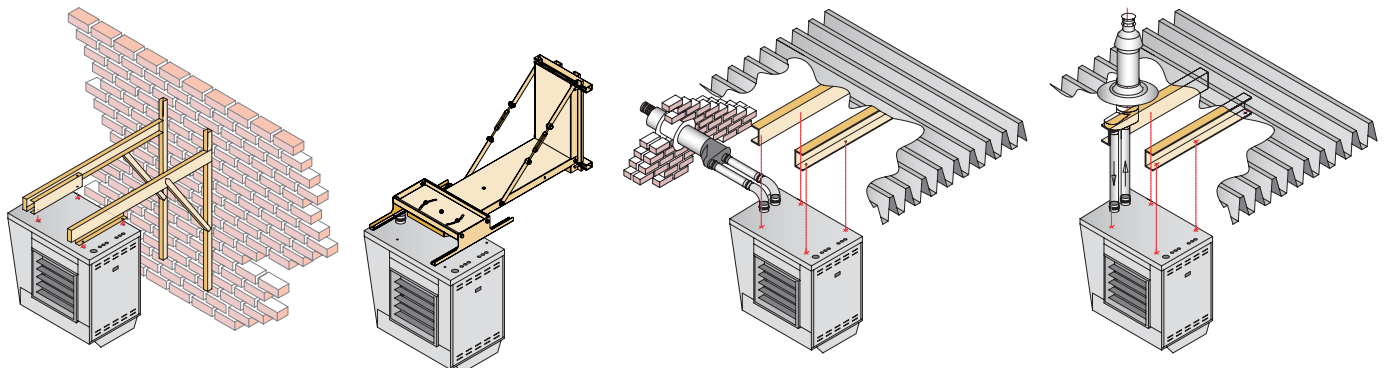
Different flue plans available on request.

Accessories – additional sections

- | | | |
|---|---|---|
| 1 | = | Horizontal louvers (standard) |
| 2 | = | Vertical louvres |
| 3 | = | Downflow hood 45° |
| 4 | = | Diffuser (2 x 45°) and horizontal louvers |
| 5 | = | Vertical louvres for diffuser |
| 6 | = | Set of wall mounting brackets |
| 7 | = | Shock absorbers set |
| 8 | = | Frame |



Assembly/location suggestions



Get In Touch

Call: [0845 6880112](tel:08456880112)
Email: info@adremit.co.uk

Our Address

Puravent, Adremit Limited, Unit 5a, Commercial Yard,
Settle, North Yorkshire, BD24 9RH