



Custom-made environment friendly heating with standard Mark-equipment

In addition to the High Efficiency air heater, the Mark-range also includes a gas-fired, high performance air heater with a centrifugal fan. The GC+ is particularly suited for connection to duct systems, or systems where high pressure is required. This condensing equipment provides efficiency greater than 106% (lower value). Heat is generated via a modulating (5:1) premix burner which results in very low gas consumption.

The GC+ is operated using an OpenTherm clock thermostat as standard. Other operating options are also available.

An extensive range of additional sections has been developed for the GC+. This ensures the standard GC+ can be simply and affordably adapted to any project specification. The comprehensive capacity range (35-150 kW) also means the area of application for this type of equipment is virtually limitless. The GC+ can additionally be incorporated into an air handling unit.

The GC+ is designed to heat garages, warehouses, workshops, schools and sports halls among other applications, with or without a duct system.

Mark provides a 2 year full product warranty as standard and up to 10 years reducing warranty with the stainless steel heat exchanger.

Features of the Mark GC+

- Centrifugal fan with forward curved blades
- 3-phase electric motor 1400 min⁻¹
- V-belt transmission
- Shock absorbers
- Low noise level
- Variable air volume
- Variable delta T
- System air pressure up to 300 Pa
- Fan outlet position: front side
- Low maintenance

Options

- Centrifugal fan with backward curved blades
- Insulated fan casing
- Outdoor version available

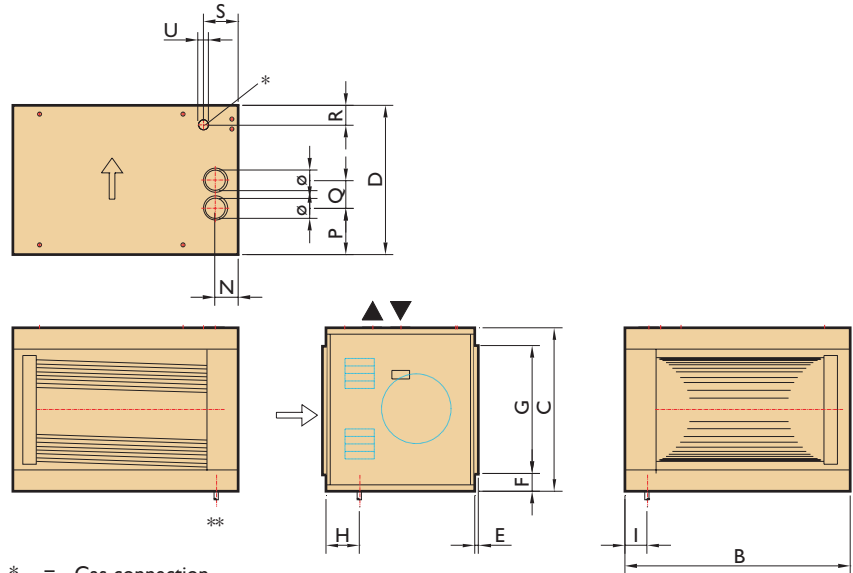
mark®

Get In Touch

Call: 0845 6880112
Email: info@adremit.co.uk

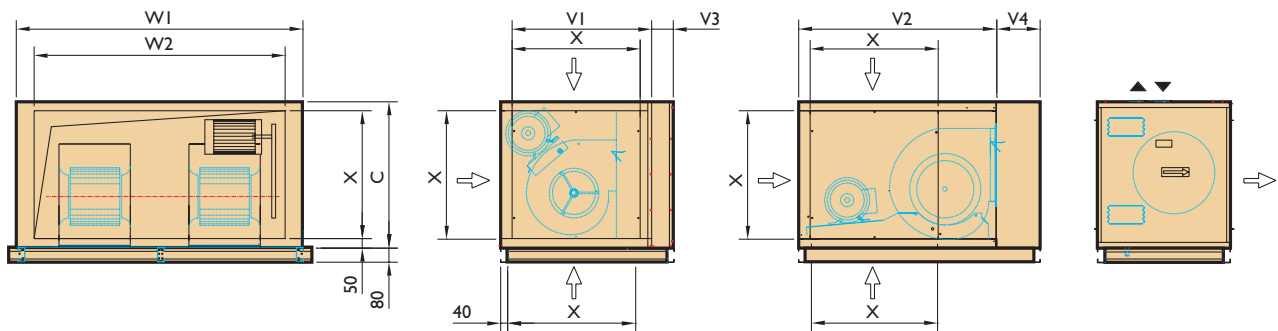
Our Address

Puravent, Adremit Limited, Unit 5a, Commercial Yard, Settle, North Yorkshire, BD24 9RH



* = Gas connection
 ** = Condensation connection ø40mm

T	B	C	D	E	F	G	H	I	Ø	P	Q	R	S	U	V1	V2	V3	V4	W1	W2	X
35	875	810	739	35	105	600	165	110	80	240	120	97	175	3/4"	840	-	100	-	875	675	710
40	875	810	739	35	105	600	165	110	80	240	120	97	175	3/4"	840	-	100	-	875	675	710
60	1120	810	739	35	105	600	165	110	100	230	140	97	175	3/4"	840	-	100	-	1120	920	710
80	1305	810	739	35	105	600	165	110	100	230	140	97	175	1"	840	1100	100	244	1305	1105	710
100	1595	810	739	35	105	600	165	110	100	230	140	97	175	1"	840	1100	100	244	1595	1395	710
150	1890	1000	1000	35	105	790	190	175	130	235	225	140	170	1"	-	1100	-	304	1890	1750	800



Technical information

Type		35	40	60	80	80*	100	100*	150
Fan		12-12	12-12	12-12	twin 12-19	twin 15-11	twin 12-12	twin 15-11	twin 15-15
Dimensions	max.	112	112	112	112	132	112	132	132
Air displacement	m ³ /h	3.760	3.760	5.640	7.520	7.520	9.400	9.400	14.000
Air displacement	m ³ /h	5.000	5.000	6.500	10.000	10.000	12.500	12.500	18.500
Air displacement	m ³ /h	7.200	7.200	8.640	-	13.680	-	16200	20880

Fan: 0 - 300 Pa
 * Increased air displacement

Air heaters - 14

Get In Touch

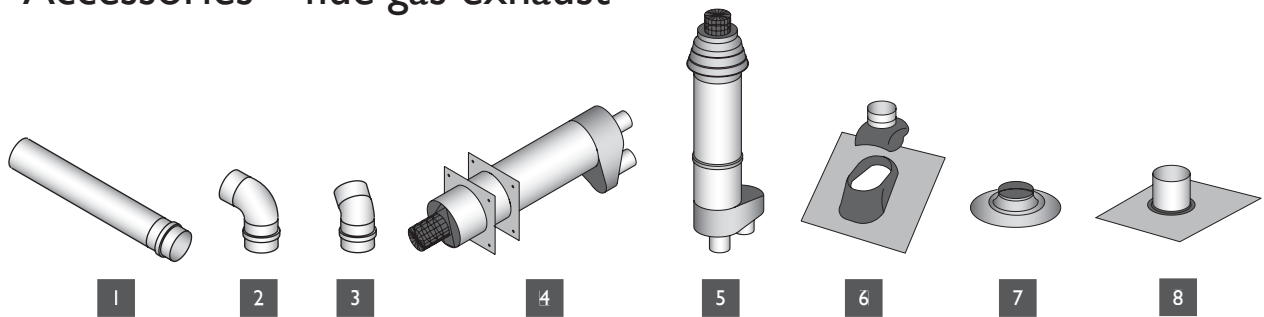
Call: 0845 6880112
 Email: info@adremit.co.uk

Our Address

Puravent, Adremit Limited, Unit 5a, Commercial Yard, Settle, North Yorkshire, BD24 9RH

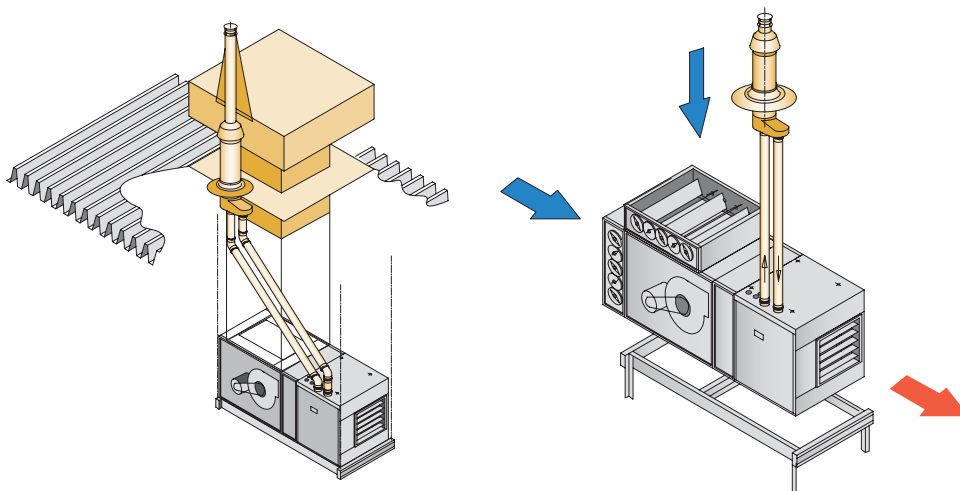
Type		35	40	60	80	100	150	
Nominal load (upper value)	kW	38,8	44,4	66,7	88,8	114,4	166,7	
Nominal load (lower value)	kW	34,9	40	60	80	103	150	
Efficiency at 100% full load	%	95,7	94,8	94,2	94,3	94,2	94,8	
Efficiency at 30% partial load	%	105,7	105,7	105,8	105,8	105,6	104,9	
Efficiency at min. load	%	107,3	107,3	107,4	106,2	106,3	107,0	
Burner turndown ratio	+/-	5:1	5:1	5:1	5:1	5:1	5:1	
Gas consumption G20 (15°C)	m ³ /h	3,65-0,88	4,18-0,88	6,22-1,34	8,16-2,25	10,67-2,94	15,30-3,37	
Gas consumption G25 (15°C)	m ³ /h	4,10-1,02	4,73-1,02	7,03-1,47	9,30-2,57	11,98-3,23	17,05-3,75	
Gas consumption G30 (15°C)	kg/h	2,92-0,72	3,46-0,72	5,05-1,11	6,70-1,89	8,48-2,48	12,35-2,72	• Delta T max. 45K
Gas consumption G31 (15°C)	kg/h	2,68-0,64	3,17-0,64	4,72-1,04	6,22-1,72	8,03-2,29	11,69-2,57	• External pressure 0-300 Pa, more on request
Minimum air displacement (20°C)	m ³ /h	3760	3760	5640	7520	9400	14000	
Delta T (ΔT)	K	26,6	30,3	30,3	30,3	31,3	30,5	
Nominal air displacement (20°C)	m ³ /h	5000	5000	6500	10000	12500	18500	G25 = Natural gas
Delta T (ΔT)	K	20,0	22,8	26,3	22,8	23,5	23,1	G20 = Natural gas
Maximum air displacement (20°C)	m ³ /h	7200	7200	8640	13680	16200	20880	G31 = Propane
Delta T (ΔT)	K	13,9	15,8	19,8	16,7	18,1	20,5	G30 = Butane

Accessories – flue gas exhaust



- | | |
|------------------------------|---|
| 1 Extension set | 6 Lead flashing for pitched roof |
| 2 90° elbow | 7 Adhesive plate |
| 3 45° elbow | 8 Flexible lead flashing for cladded roof |
| 4 Single flue set horizontal | |
| 5 Single flue set vertical | |

Assembly/location suggestions

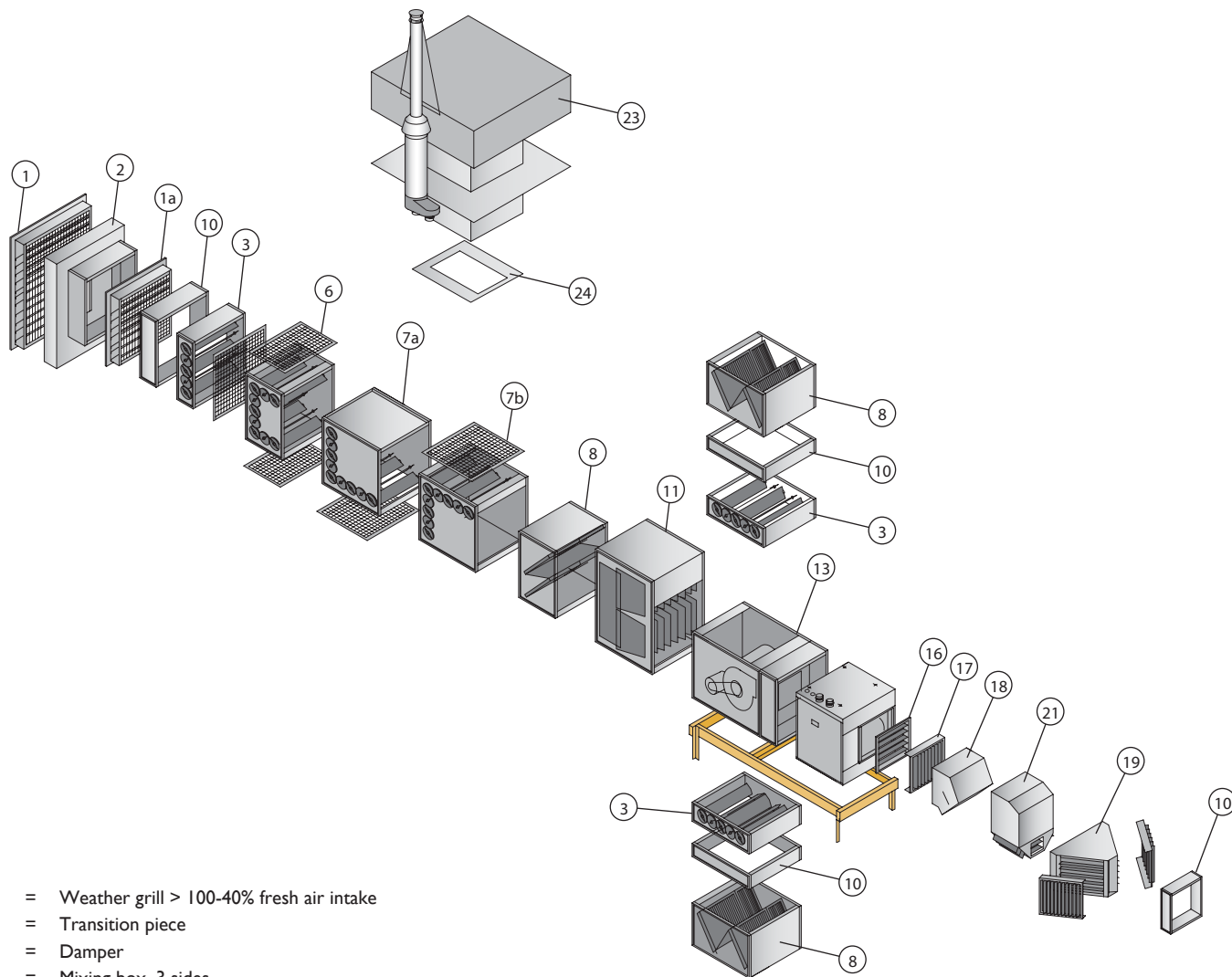


Get In Touch

Call: [0845 6880112](tel:08456880112)
 Email: info@adremit.co.uk

Our Address

Puravent, Adremit Limited, Unit 5a, Commercial Yard,
 Settle, North Yorkshire, BD24 9RH



- 1 = Weather grill > 100-40% fresh air intake
- 2 = Transition piece
- 3 = Damper
- 6 = Mixing box, 3 sides
- 7a = Mixing box, air intake bottom
- 7b = Mixing box, air intake top
- 10 = Empty section
- 8/11 = Filter casing G4 or F5/F7
- 13 = Fan casing
- 16 = Horizontal louvres
- 17 = Vertical louvres
- 18 = Downflow hood 45°
- 19 = Diffuser 2 x 45°
- 21 = Downflow hood 90°
- 23 = Hood
- 24 = Transition piece

Air heaters - 16

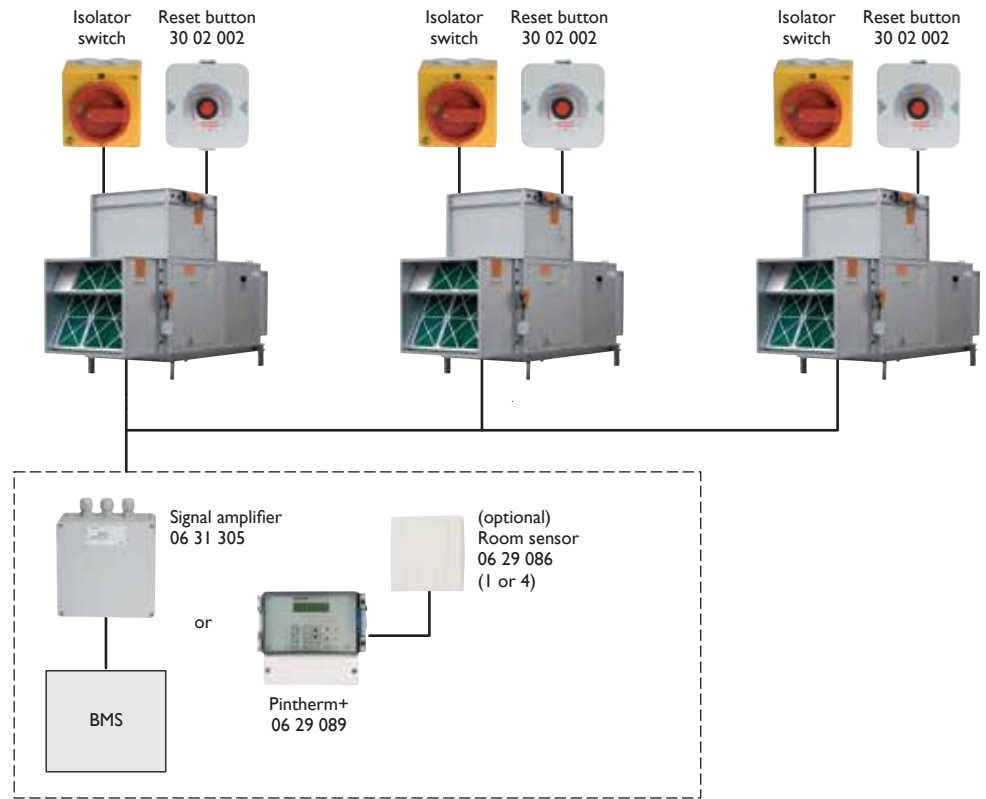
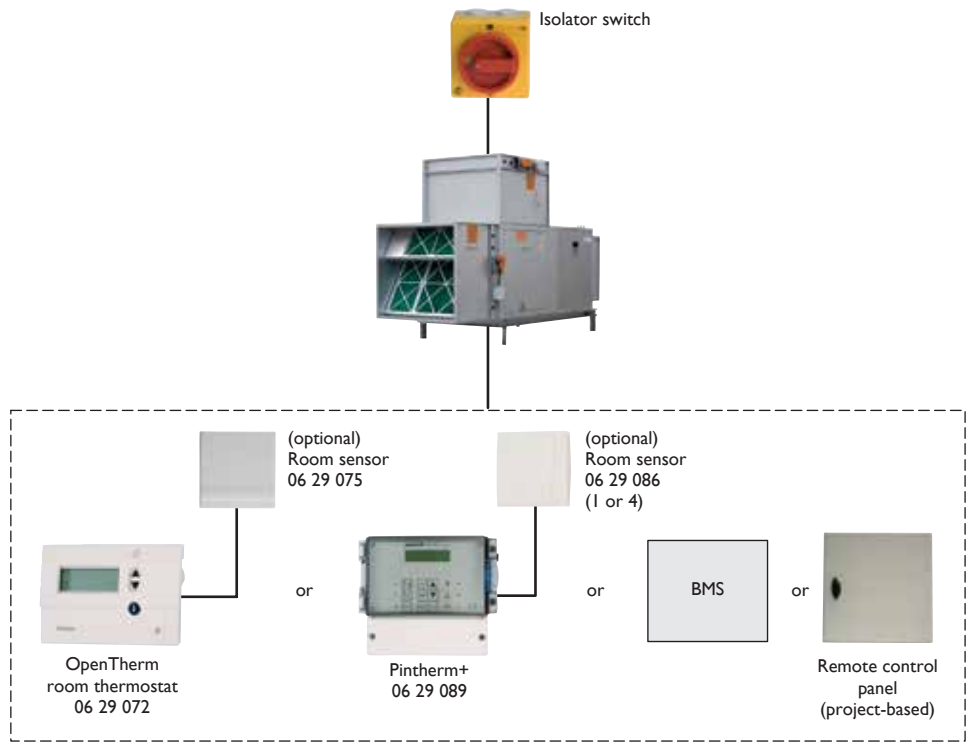
Get In Touch

Call: 0845 6880112
 Email: info@adremit.co.uk

Our Address

Puravent, Adremit Limited, Unit 5a, Commercial Yard,
 Settle, North Yorkshire, BD24 9RH

Controls



Project-specific controls available on request.

Get In Touch

Call: 0845 6880112
 Email: info@adremit.co.uk

Our Address

Puravent, Adremit Limited, Unit 5a, Commercial Yard, Settle, North Yorkshire, BD24 9RH