



Reliable and highly versatile

Over the past 65 years, this gas-fired air heater with centrifugal fan has proven itself to be a highly reliable and versatile heating appliance. The enormous variety of additional sections provides the option of configuring this appliance relatively easily for any required indoor climate. The Mark GC has various burner controls: on/off, high/low or pulsating. Use of the centrifugal fan renders the air heater ideally suited for connection to a duct system, spanning an external pressure of 300 Pa. The system fan can be set to high/low on a project basis for applications where the noise level is important. It is also possible to take in or recirculate (fresh) outside air. The GC can also be incorporated into a rooftop or air conditioning unit.

Mark provides the following for this product as standard:

1 year service warranty, 2 years full product warranty and 10 years reducing warranty on the stainless steel heat exchanger.

mark[®]

The GC is designed to heat garages, warehouses, workshops, schools, sports halls and churches, among other applications, with or without a duct system.

Features of the Mark GC

- Stainless steel AISI 409 heat exchanger
- Stainless steel AISI 321 burners
- Efficiency $\geq 90\%$
- Low NO_x
- Electronic ignition
- Aluzinc coating
- Closed appliance
- Centrifugal fan
- Reliable
- Long lifespan

Accessories

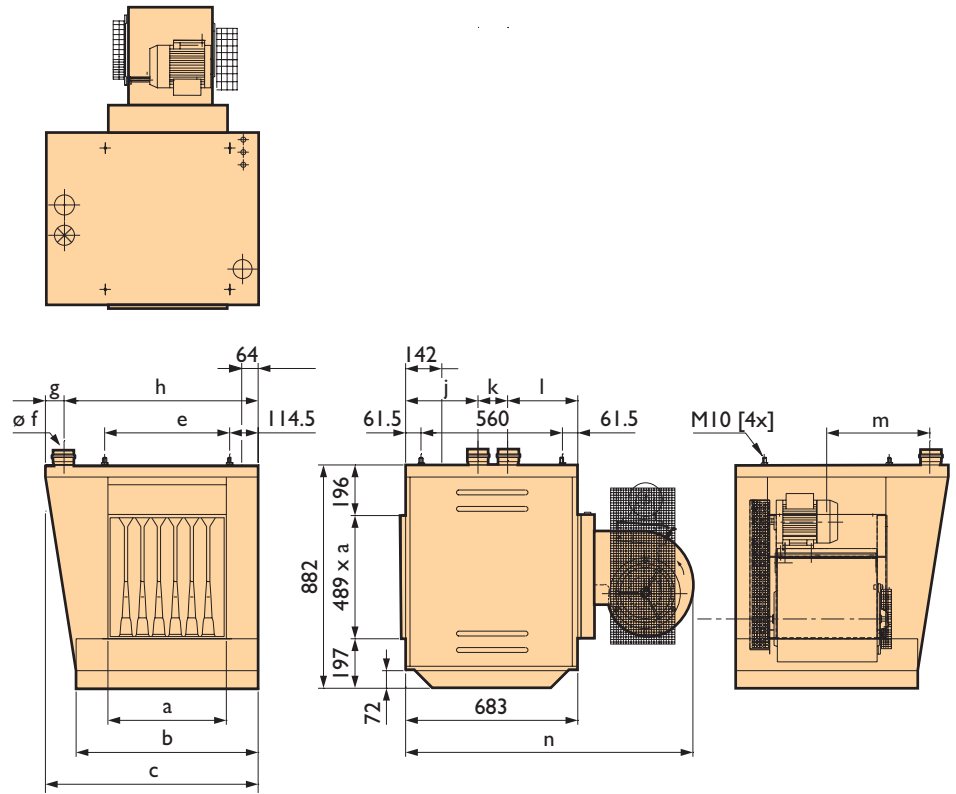
- Isolator switch
- Wide selection of additional sections
- Air filters from G2 to F7
- For higher external pressures, centrifugal fans with backward curved blades are available
- Burner control: on/off, high/low or pulsating
- Suitable for a building management system (GBS with a 0-10 Volt signal)

Get In Touch

Call: 0845 6880112
Email: info@adremit.co.uk

Our Address

Puravent, Adremit Limited, Unit 5a, Commercial Yard, Settle, North Yorkshire, BD24 9RH



Type	a	b	c	e	f	g	h	j	k	l	m	n
18	340	594	714	365	80	72	642	276	120	287	345	1120
21	340	594	714	365	80	72	642	276	120	287	345	1120
24	405	659	779	430	80	72	707	276	120	287	377,5	1180
28	405	659	779	430	80	72	707	276	120	287	377,5	1180
33	470	724	844	495	80	72	772	276	120	287	410	1180
37	470	724	844	495	80	72	772	276	120	287	410	1180
44	600	854	974	625	80	72	902	276	120	287	475	1265
49	600	854	974	625	80	72	902	276	120	287	475	1265
55	730	984	1104	755	100	72	1032	256	140	287	540	1180
59	730	984	1104	755	100	72	1032	256	140	287	540	1180
66	860	1114	1289	885	100	92	1197	231	140	312	640	1180
74	860	1114	1289	885	100	92	1197	231	140	312	640	1180
88	1120	1374	1549	1145	100	92	1457	231	140	312	770	1265
98	1120	1374	1549	1145	100	92	1457	231	140	312	770	1265
104	1120	1374	1549	1145	100	92	1457	231	140	312	770	1265

Get In Touch

Call: 0845 6880112
 Email: info@adremit.co.uk

Our Address

Puravent, Adremit Limited, Unit 5a, Commercial Yard,
 Settle, North Yorkshire, BD24 9RH

Technical information

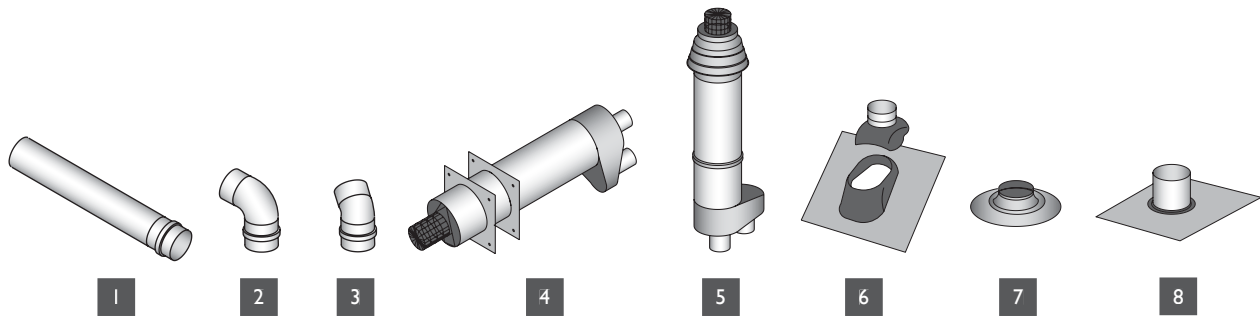
Type		18	21	24	28	33	37	44	49	55	59	66	74	88	98	104
Nominal power	kW	20,4	21,8	25,1	27,2	30,2	32,7	40,2	43,6	50,2	54,5	60,3	65,3	80,4	87,1	95,8
Nominal load (lower value)	kW	22,7	24,2	27,9	30,2	33,5	36,3	44,7	48,4	55,8	60,5	67,0	72,6	89,3	96,8	106,5
Air displacement (15°C)	m³/h	2190	2410	2730	3005	3320	3650	4425	4865	5525	6080	6635	7295	8845	9730	10250
Gas consumption G25 (15°C)	m³/h	2,7	3,0	3,3	3,6	4,0	4,4	5,4	5,9	6,6	7,1	8,0	8,7	10,6	11,6	12,8
Gas consumption G20 (15°C)	m³/h	2,4	2,6	2,9	3,1	3,5	3,8	4,7	5,1	5,8	6,3	7,0	7,6	9,3	10,1	11,1
Gas consumption G31 (15°C)	kg/h	1,76	--	2,17	--	2,60	--	3,47	--	4,33	--	5,21	--	6,94	--	--
Gas consumption G30 (15°C)	kg/h	1,79	--	2,20	--	2,64	--	3,53	--	4,40	--	5,28	--	7,04	--	--
Delta T (ΔT)	K	29	28	29	28	29	28	29	28	29	28	29	28	29	28	28
Supply voltage (50Hz)	V	230	230	230	230	230	230	230/400	230/400	400	400	400	400	400	400	400
Weight	kg	110	110	125	125	135	135	160	160	180	180	190	190	245	245	245

Delta T max. 45K

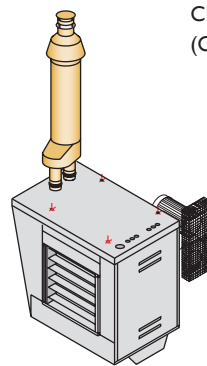
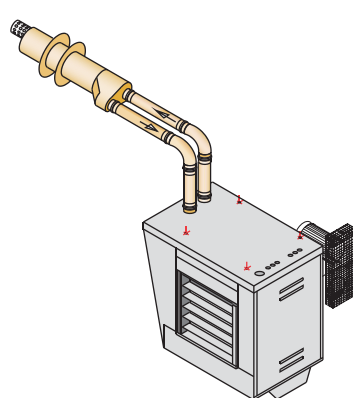
External pressure 0-300 Pa, more on request

G25 = Natural gas / G20 = Natural gas / G31 = Propane / G30 = Butane

Accessories – flue gas exhaust



- 1 Extension set
- 2 90° elbow
- 3 45° elbow
- 4 Single flue set horizontal
- 5 Single flue set vertical
- 6 Lead flashing for pitched roof
- 7 Adhesive plate
- 8 Flexible lead flashing for cledded wall



CE approved with single flue set vertical (C32) and single flue set horizontal (C12)

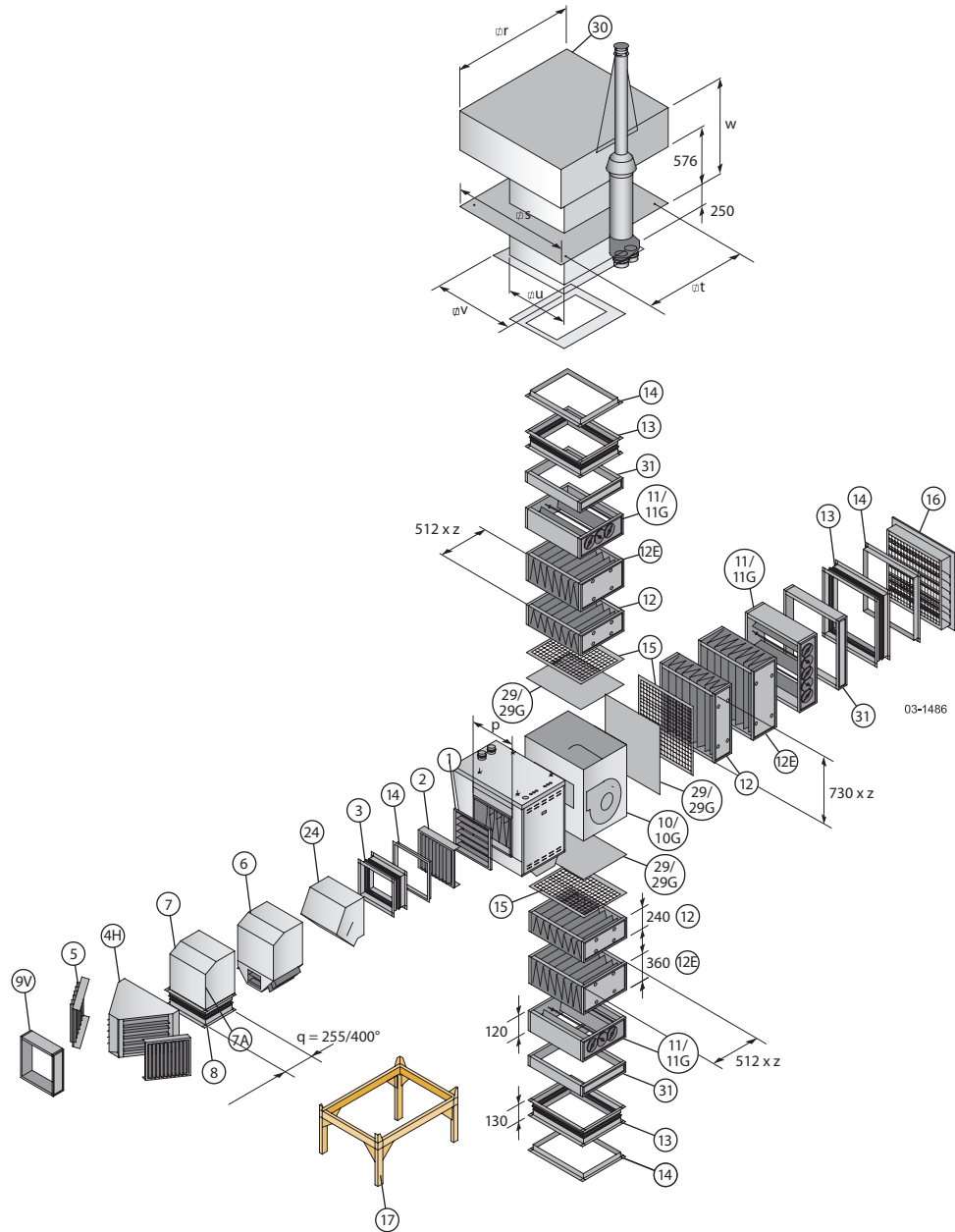
Get In Touch

Call: [0845 6880112](tel:08456880112)
 Email: info@adremit.co.uk

Our Address

Puravent, Adremit Limited, Unit 5a, Commercial Yard,
 Settle, North Yorkshire, BD24 9RH

Accessories – additional sections



Type	p	r	s	t	u	v	w	z
18	340	690	740	690	380	440	800	533
21	340	690	740	690	380	440	800	533
24	405	920	920	820	510	570	895	598
28	405	920	920	820	510	570	895	598
33	470	920	920	820	510	570	895	663
37	470	920	920	820	510	570	895	663
44	600	1180	1240	975	665	720	940	793
49	600	1180	1240	975	665	720	940	793
55	730	1180	1240	975	665	720	940	923
59	730	1180	1240	975	665	720	940	923
66	860	1420	1240	1110	800	860	1075	1043
74	860	1420	1240	1110	800	860	1075	1043
88	1120	1420	1240	1110	800	860	1075	1312
98	1120	1420	1240	1110	800	860	1075	1312
104	1120	1420	1240	1110	800	860	1075	1312

- | Position | Description |
|----------|--|
| 1 | Horizontal louvres |
| 2 | Vertical louvres |
| 3 | Flexible connection outlet side |
| 4H | Diffuser with horizontal louvres |
| 5 | Set of vertical louvres for diffuser 4H |
| 6 | Downflow hood 90° with outlet louvres |
| 7 | Downflow hood 90° for duct connection |
| 7A | Downflow hood 90° for duct connection with flexible connection |
| 8 | Flexible connection 7/7A |
| 9V | Empty section outlet side |
| 10 | Fan casing |
| 10G | Fan casing, insulated |
| 11 | Damper |
| 11G | Damper, insulated |
| 12/12E | Filter section |
| 13 | Flexible connection, inlet side |
| 14 | Corner profile |
| 15 | Mesh |
| 16 | Weather grill |
| 17 | Support frame |
| 24 | Downflow hood 45° |
| 29 | Cover plate |
| 29G | Cover plate, insulated |
| 30 | Aluminium rain cap incl. adhesive plate |
| 31 | Empty section outlet side |

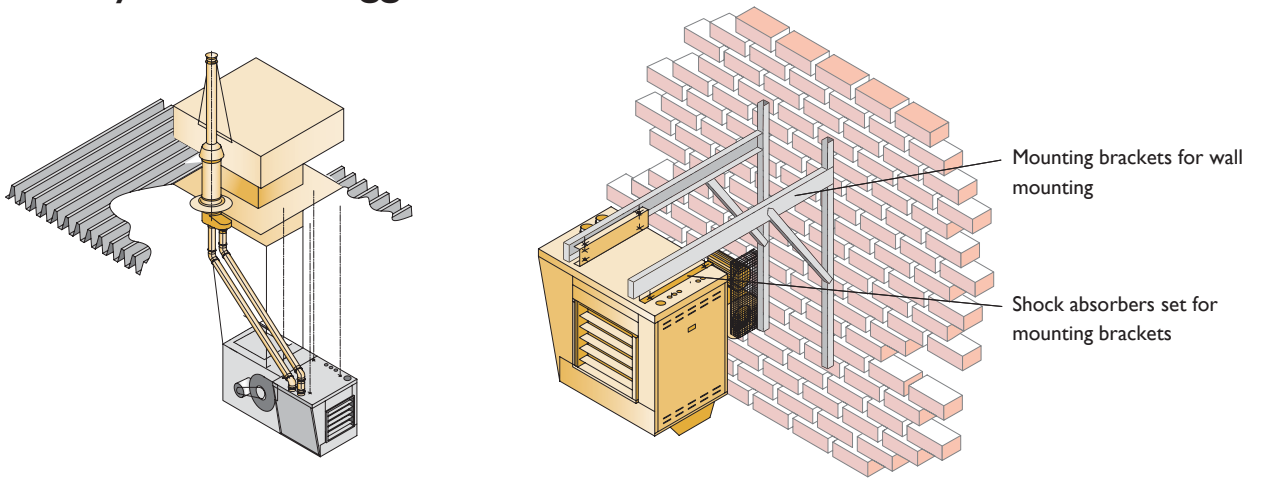
Get In Touch

Call: 0845 6880112
 Email: info@adremit.co.uk

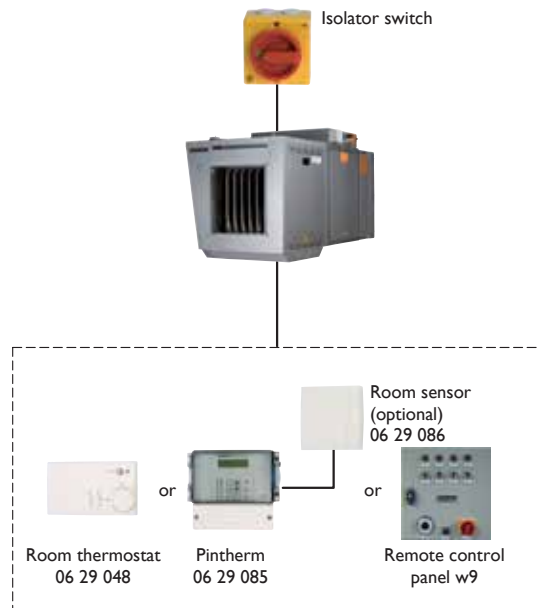
Our Address

Puravent, Adremit Limited, Unit 5a, Commercial Yard, Settle, North Yorkshire, BD24 9RH

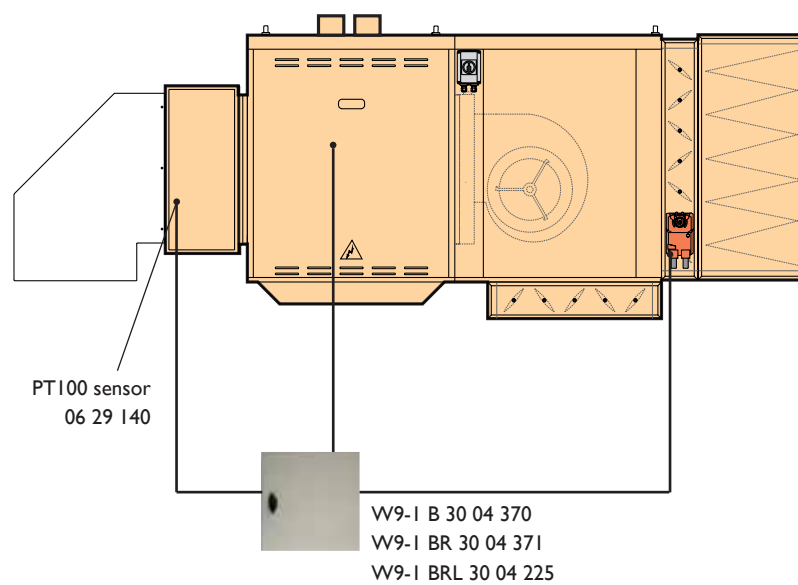
Assembly/location suggestions



Controls



Pulsing / modulating



Get In Touch

Call: 0845 6880112
Email: info@adremit.co.uk

Our Address

Puravent, Adremit Limited, Unit 5a, Commercial Yard,
Settle, North Yorkshire, BD24 9RH