



## A wide variety of uses

The G-TYPE is a vertical or horizontal oil or gas-fired air heater with a capacity of 30kW to 1050kW. The appliance can both flow down freely into the room and can be connected to a conduit system. The Mark G-TYPE can be installed in stoke-rooms. Almost all brands and types of burner can be used in the Mark G-TYPE. The G-TYPE is therefore versatile.

### Fan

- A dual blast centrifugal ventilator with bent blades.
- Vee-belt drive.

### Housing

- Pre-painted steel plating.
- Frame: aluminium profiles.

### Standard equipment

- AISI 430 blast chamber
- AISI 409 heat exchanger
- Electrical switch box
- Three-way thermostat
- Motor cut-out.

### Accessories/options

- Various burners
- Room thermostat
- Remote control
- Gas density control
- Flue gas fan
- Working hours counter
- Stainless steel heat exchanger
- Outside installation

### Sections enclosed

- Connection
- Grid
- Empty section
- Filter section with differential pressure switch
- Servo or manually-operated slatted valves
- Weather grill
- Flexible connection
- Adjustable down flow hood



### Adjustments:

- On/off
- High/low
- Modulating

The Mark G-TYPE can be used in the following rooms: sports halls, churches, offices and shops.

# mark®

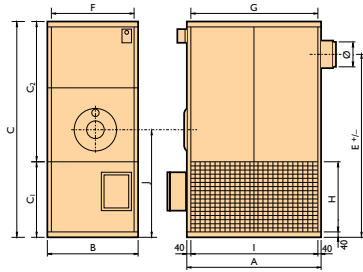
### Get In Touch

-  Call: [0845 6880112](tel:08456880112)  
 Email: [info@adremit.co.uk](mailto:info@adremit.co.uk)

### Our Address

Puravent, Adremit Limited, Unit 5a, Commercial Yard,  
Settle, North Yorkshire, BD24 9RH

## Dimensions



Type	G600	G750	G900
C 1	1050	1050	1050
C 2	1910	2050	2050

Type		G 25	G 35	G 50	G 65	G 80	G100	G125	G150	G175
Dimensions	A	660	660	870	870	1000	1000	1260	1260	1440
	B	530	530	636	636	750	750	900	900	1020
	C	1430	1430	1750	1750	1900	1900	2060	2060	2340
Flue position	E +/-	1215	1215	1500	1500	1675	1675	1750	1750	1975
	ø	156	156	186	186	206	206	256	256	256
Air out	F	490	490	596	596	670	670	820	820	940
	G	620	620	830	830	920	920	1180	1180	1360
Air intake	H	480	480	630	630	770	770	760	760	760
	I	620	620	830	830	920	920	1180	1180	1360
Burner	J	760	760	950	950	1090	1090	1150	1150	1175

Type		G200	G250	G300	G375	G425	G500	G600	G750	G900
Dimensions	A	1440	1790	1790	1960	2300	2300	2820	2820	3720
	B	1020	1020	1020	1280	1340	1340	1550	1620	1620
	C	2340	2340	2340	2660	2660	2660	2960	3100	3100
Flue position	E +/-	1975	1975	1975	2280	2280	2280	2572	2672	2672
	ø	256	306	306	306	306	306	356	406	406
Air out	F	940	940	940	1200	1260	1260	1470	1540	1540
	G	1360	1710	1710	1880	2220	2220	2740	2740	3640
Air intake	H	760	760	760	930	930	930	970	970	970
	I	1360	1710	1710	1880	2220	2220	2740	2740	3640
Burner	J	1175	1175	1175	1345	1345	1345	1530	1530	1530

## Technical information

Type		G 25	G 35	G 50	G 65	G 80	G100	G125	G150	G175
Nominal load (lower value)	kW	32,6	45,0	65,1	83,7	104,7	128,6	164,5	192,1	223,1
Nominal power	kW	29,7	40,7	59,3	75,6	95,3	116,3	148,9	173,3	203,5
Air displacement with ΔT 45K	m <sup>3</sup> /h 18°C	1950	2750	4000	5100	6300	7800	9700	11700	13700
Electrical connection (50Hz)	V	1~230	1~230	1~230	1~230	3~400+N	3~400+N	3~400+N	3~400+N	3~400+N
Gas consumption G20	m <sup>3</sup> /h	3,5	4,8	6,9	8,9	11,1	13,6	17,4	20,3	23,6
Gas consumption G25	m <sup>3</sup> /h	4,0	5,5	8,0	10,3	12,8	15,8	20,2	23,6	27,4
Gas consumption G31	kg/h	2,5	3,4	5,0	6,4	7,9	9,8	12,5	14,6	17,0
Gas consumption G30	kg/h	2,5	3,5	5,1	6,5	8,1	10,0	12,7	14,9	17,3
Oil consumption	kg/h	2,7	3,8	5,5	7,1	8,8	10,8	13,9	16,2	18,8
Noise level (4 m)	dB(A)	61	62	71	72	71	72	73	72	72
Weight	kg	140	148	210	220	315	325	480	490	555

Type		G200	G250	G300	G375	G425	G500	G600	G750	G900
Nominal load (lower value)	kW	257,8	318,7	387,2	482,3	541,9	632,3	763,4	957,3	1136,0
Nominal power	kW	232,6	290,7	348,8	436,0	494,2	569,8	697,7	872,1	1047,0
Air displacement with ΔT 45K	m <sup>3</sup> /h 18°C	15600	19800	23500	29200	33000	38700	46500	55200	69500
Electrical connection (50Hz)	V	3~400+N	3~400+N	3~400+N	3~400+N	3~400+N	3~400+N	3~400+N	3~400+N	3~400+N
Gas consumption G20	m <sup>3</sup> /h	27,3	33,8	41,0	51,1	57,4	67,0	80,8	101,4	120,3
Gas consumption G25	m <sup>3</sup> /h	31,7	39,2	47,6	59,3	66,7	77,8	94,0	117,8	140,0
Gas consumption G31	kg/h	19,6	24,3	29,5	36,7	41,3	48,2	58,1	72,9	86,5
Gas consumption G30	kg/h	20,0	24,7	30,0	37,3	41,9	49,0	59,1	74,1	88,0
Oil consumption	kg/h	21,7	26,9	32,6	40,7	45,7	53,3	64,4	80,7	95,8
Noise level (4 m)	dB(A)	73	74	74	75	75	76	75	76	78
Weight	kg	580	820	850	1200	1480	1550	1850	2300	2800

Air heaters - 48

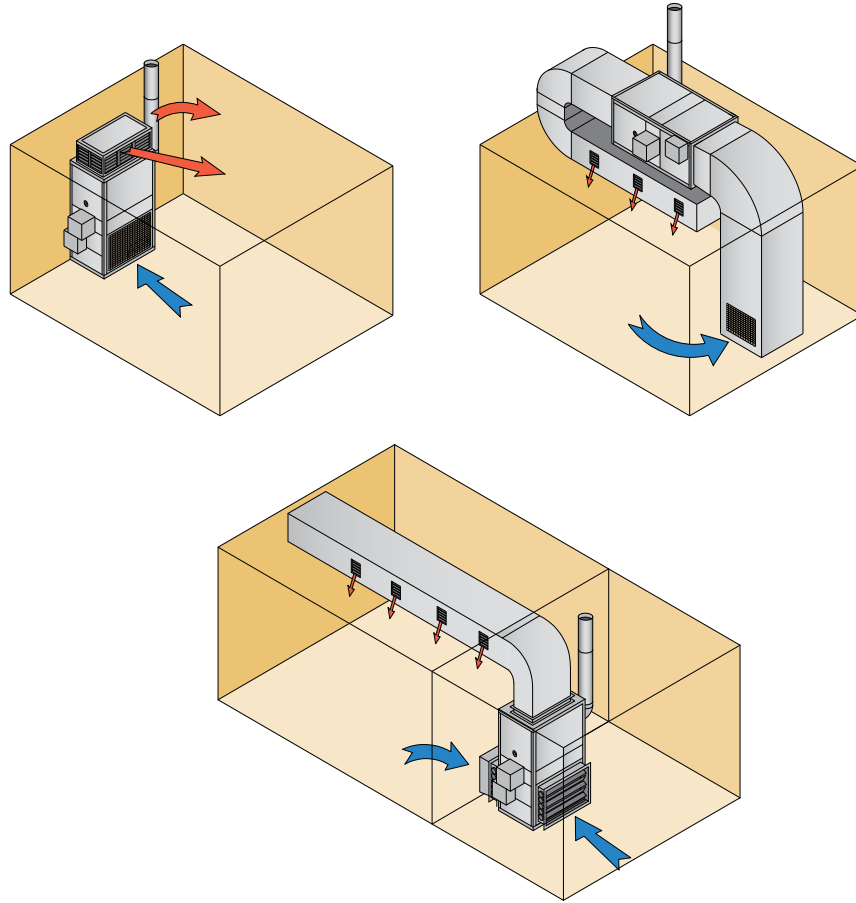
Get In Touch

Call: 0845 6880112  
Email: [info@adremit.co.uk](mailto:info@adremit.co.uk)

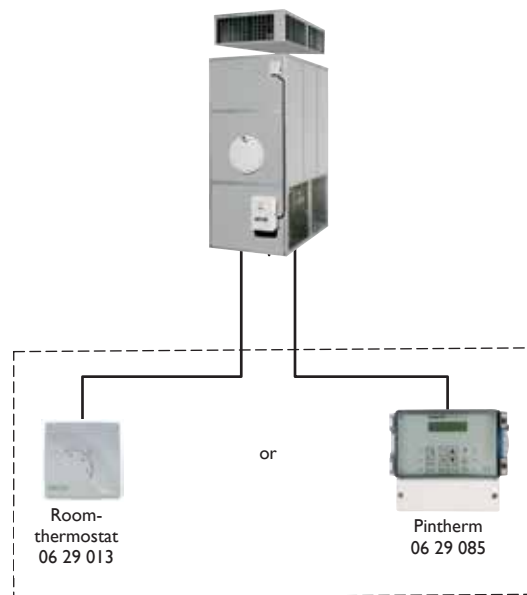
Our Address

Puravent, Adremit Limited, Unit 5a, Commercial Yard,  
Settle, North Yorkshire, BD24 9RH

## Assembly/location suggestions



## Controls



### Get In Touch

Call: [0845 6880112](tel:08456880112)  
Email: [info@adremit.co.uk](mailto:info@adremit.co.uk)

### Our Address

Puravent, Adremit Limited, Unit 5a, Commercial Yard,  
Settle, North Yorkshire, BD24 9RH