



## The longest-running product

One of the first activities of Mark was to build an oil- or gas-fired vertical air heater, the FÖHN.

As a result, Mark has already heated 1,500 churches in the Netherlands alone and may therefore be called the specialist in this field. As well as churches, countless other rooms are heated by the Mark FÖHN. If required, Mark supplies this appliance in loose parts for assembly on site by our own service department. The wide range of capacities from 50 to 415 kW means that this appliance can provide a solution for every heating requirement in any room. The Mark FÖHN is fitted with a centrifugal fan as standard and can therefore be connected to a duct system. Free discharge into a room is just one of the possibilities.


Mark provides a 2-year full product warranty as standard for this product, and up to 10 years reducing warranty with the heat exchanger!

### Mark FÖHN features

- Combustion chamber and self-finished steel exchangers (stainless steel upon request)
- Supplied with electrical terminal box as standard
- Aluzinc casing
- Various burner types possible, Riello or Weishaupt
- Various suction options
- Wide selection of filters
- Fresh air suction possible
- Modulating burner (option)
- Flue fan (option)



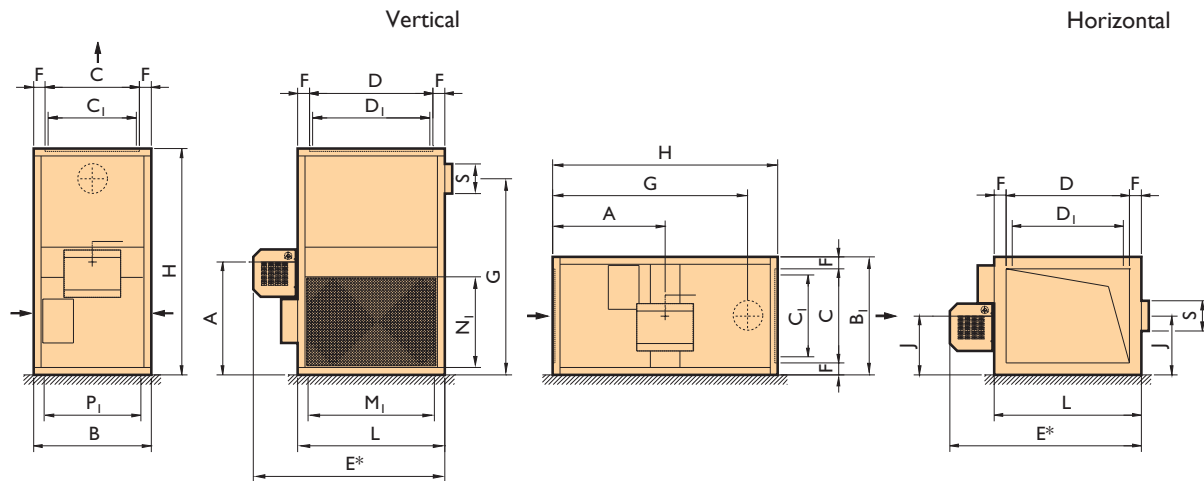
### Get In Touch

 Call: [0845 6880112](tel:08456880112)  
 Email: [info@adremit.co.uk](mailto:info@adremit.co.uk)

### Our Address

Puravent, Adremit Limited, Unit 5a, Commercial Yard, Settle, North Yorkshire, BD24 9RH

# Dimensions



Type	A	B	B1	C	D	E*	F	G	H	J	L	S
50	825	900	925	796	796	1150	52	1460	1650	475	900	201
75	825	900	925	796	796	1150	52	1460	1650	475	900	201
115	1150	1200	1200	961	761	1370*	119,5	1993	2300	600	1000	252
160	1150	1200	1200	961	961	1570*	119,5	1993	2300	600	1200	252
210	1150	1200	1200	961	1261	1870*	119,5	1993	2300	600	1500	302
270	1150	1200	1200	961	1561	2270*	119,5	1993	2300	600	1800	302
335	1330	1612	1612	1352	1840	2570*	130	2271	2790	806	2100	352
400	1330	1612	1612	1352	1840	2570*	130	2271	2790	806	2100	352

\* Mark gas burner

## Technical information

Type		50	75	115	160	210	270	335	400
Nominal load (lower value)	kW	57,0	85,4	130,9	182,2	239,2	307,6	381,6	455,4
Nominal power	kW	51,5	77,0	119,0	166,0	218,0	280,0	347,0	415,0
Air displacement with delta T 35K	m <sup>3</sup> /h	4179	6268	9611	13372	17551	22566	27998	33431
Air displacement with delta T 40K	m <sup>3</sup> /h	3656	5485	8410	11701	15357	19745	24498	29252
Air displacement with delta T 45K	m <sup>3</sup> /h	3250	4875	7475	10401	13651	17551	21776	26001
Air displacement with delta T 50K	m <sup>3</sup> /h	2925	4388	6728	9361	12286	15796	19599	23402
Gas consumption G25	m <sup>3</sup> /h	6,68	10,01	15,35	21,36	28,04	36,06	44,74	53,40
Gas consumption G20	m <sup>3</sup> /h	5,9	8,8	13,5	18,7	24,6	31,6	39,3	46,8
Gas connection		1"	1"	1 1/4"	1 1/4"	1 1/2"	1 1/2"	2"	2"
Weight	kg	360	360	650	780	940	1130	1250	1290
Supply voltage (50Hz)	V	1~230	1~230/ 3~400+N	3~400+N	3~400+N	3~400+N	3~400+N	3~400+N	3~400+N
Oil consumption	kg/h	4,77	7,15	10,96	15,25	20,02	25,75	31,95	38,10

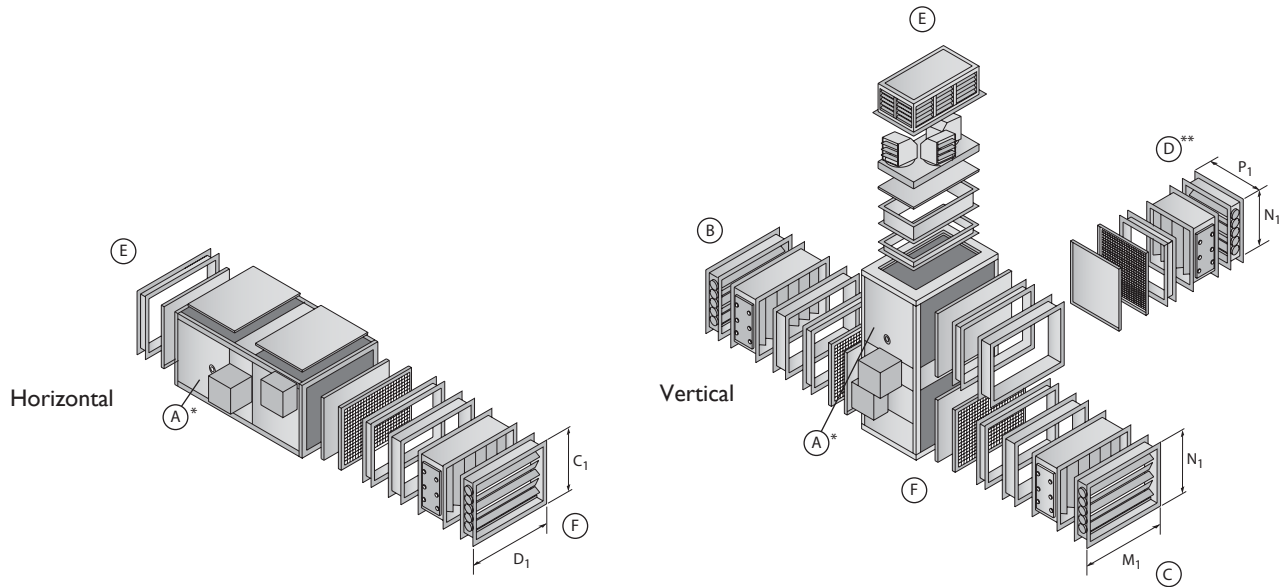
### Get In Touch

Call: [0845 6880112](tel:08456880112)  
 Email: [info@adremit.co.uk](mailto:info@adremit.co.uk)

### Our Address

Puravent, Adremit Limited, Unit 5a, Commercial Yard,  
 Settle, North Yorkshire, BD24 9RH

## Accessories – additional sections

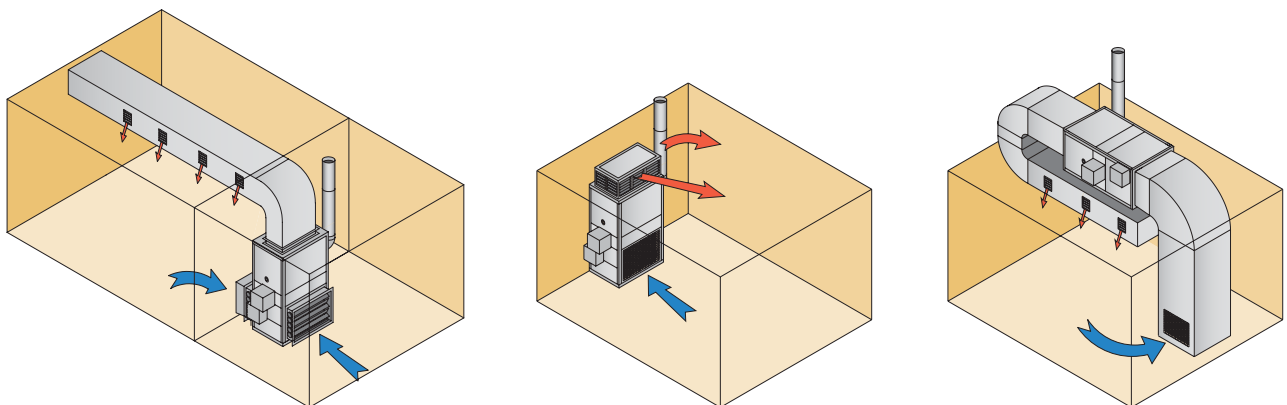


Type	Position A	Position B/C	Position D	Position E/F	Total height including hood
		$M_1 \times N_1$	$P_1 \times N_1$	$C_1 \times D_1$	
50	*	800 x 640	800 x 640	800 x 800	H + 623
75	*	800 x 640	800 x 640	800 x 800	H + 623
115	*	815 x 895	1015 x 895	895 x 695	H + 514
160	*	1015 x 895	1015 x 895	895 x 895	H + 525
210	*	1315 x 895	1015 x 895	895 x 1195	H + 525
270	*	1615 x 895	1015 x 895	895 x 1495	H + 525
335	*	1900 x 956	1412 x 956	1288 x 1774	H + 552
400	*	1900 x 956	1412 x 956	1288 x 1774	H + 552

\* No additional parts possible on side A.

\*\* For Föhn 210, 270, 335 and 400 blast side D always in combination with blast side B or C.

## Assembly/location suggestions



Air heaters - 44

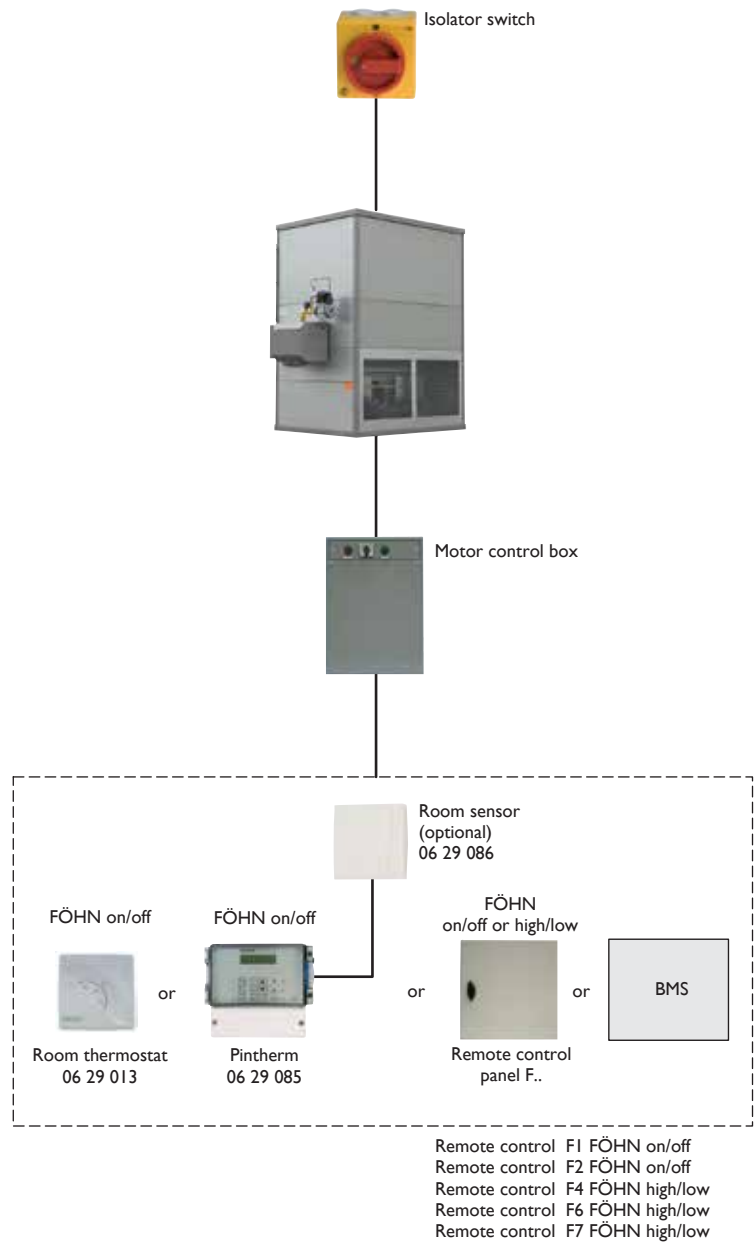
### Get In Touch

Call: 0845 6880112  
 Email: [info@adremi.co.uk](mailto:info@adremi.co.uk)



### Our Address

Puravent, Adremi Limited, Unit 5a, Commercial Yard,  
 Settle, North Yorkshire, BD24 9RH

# Controls



## Get In Touch

 Call: [0845 6880112](tel:08456880112)  
 Email: [info@adremit.co.uk](mailto:info@adremit.co.uk)

## Our Address

Puravent, Adremit Limited, Unit 5a, Commercial Yard, Settle, North Yorkshire, BD24 9RH