

# Storage Heaters

SH6M

SH12M

SH18M

SH24M

SH12A

SH18A

SH24A

CE

**Installation Instructions  
and  
User Guide**

## WARNING

- Please read these instructions before installing or using this appliance for the first time. The warranty of the storage heater will not cover any damage caused by non observance of any of these instructions.
- This Guide must be kept and given to any new owner.
- The installation of the heater should be carried out by trained personnel.
- Should the heater be moved and reinstalled it is essential that the work is carried out by trained personnel.
- If during any reinstallation the thermal insulation shows any sign of damage, it is necessary for the faulty part to be removed and replaced by an identical part.
- The use of storage heaters is forbidden in any area where there is a presence of gases, explosives or inflammable objects.
- Do not use this heater to dry clothes.
- Do not place objects in contact with the heater.
- Do not cover this heater at any time.
- The air outlet grill at the top of the heater cabinet and the air inlet at the bottom of the heater are provided to ensure the most efficient operation of the appliance. They also protect the heater from overheating, therefore, it is essential that at no time are they covered.
- This heater should be switched off at the isolating switch before any repair work is carried out. This action should also be taken during the times of the year when heat is not required.
- The installation of the heaters must be carried out in such a way that each pole can be disconnected from the supply having a contact separation of at least 3 mm.
- The storage heater should not be installed just below an electrical socket.
- The appliance must be installed in such a way that it is impossible for anyone using a bath or shower, to touch the controls.
- The nominal charging time of this storage heater must be controlled by means of a programmer.
- The installation must be carried out in accordance with the current electrical regulations.
- This appliance must be earthed.
- After installation a survey of the first charging cycle should be carried out to ensure that the main input thermostat switches off. Ventilate the room during this first cycle.
- Before carrying out any work inside the appliance, the heater must be disconnected from the electricity supply.
- Never open a charged heater.
- The presence in the air of particles of smoke, dust and other pollutants could, in time, discolour the walls and surfaces around the heater.
- To maintain stability, it is essential that the heater is placed on a level surface and care should be taken to avoid irregular surfaces, such as may result from carpets or tiled surrounds partially protruding under the heater.

## INTRODUCTION

Storage heaters are designed to take advantage of the considerable economical benefits of any restricted hour electricity tariff.

Storage heaters consume electricity only during the night, but due to the highly efficient storage medium, give you a truly economical 24 hours of comfort temperatures.

Model	SH6M		SH12M / SH12A		SH18M / SH18A		SH24M / SH24A	
Typ.	A12X100		A32X2100 / A32X2110		A52X3100 / A52X3110		A72X4100 / A72X4110	
Voltage	230 V	240 V	230 V	240 V	230 V	240 V	230 V	240 V
Input	0.8 kW	0.85 kW	1.6 kW	1.7 kW	2.4 kW	2.55 kW	3.2 kW	3.4 kW
MaxHours on	8 h	7 h	8 h	7 h	8 h	7 h	8 h	7 h
Charge	6.4 kWh	5.95 kWh	12.8 kWh	11.9 kWh	19.2 kWh	17.85 kWh	25.6 kWh	23.8 kWh
Bricks	4		8		12		16	
Weight	43 kg		79 kg		116 kg		152 kg	
L	31.5 cm		54 cm		76.5 cm		99 cm	
W	15 cm		15 cm		15 cm		15 cm	
H	73 cm		73 cm		73 cm		73 cm	

The input control operates a highly sensitive thermostat which regulates the amount of heat stored.

The discharge is by convection heat which can be partially controlled by use of the output control. Please note that Model SH6M is fully automatic with no output control.

It is important that the correct rating of heater is installed to provide the selected level of heat. This will ensure the best possible running costs against other fuels.

To avoid transport problems, the heater casings and storage bricks are packed separately. The bricks are packed in sets of two.

You should be aware that Storage heaters, when fully charged, can have high surface temperatures.

## INSTALLING THE STORAGE HEATER

- 1.- Chose the right place to install the heater. It is necessary that a minimum clearance of 50 cm between the heater and combustible materials such as furniture and curtains is allowed to ensure the best heating results.
- 2.- Open the carton and fix the feet without removing the heater casing (Fig. 1). Turn the carton upside down to allow the heater to stand on its feet and remove the carton. Check that it is the correct model and that it is in good condition.

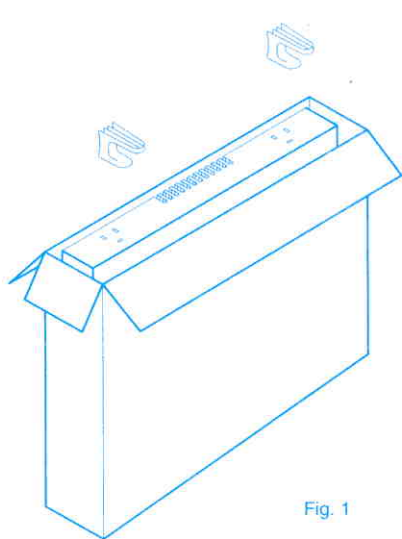
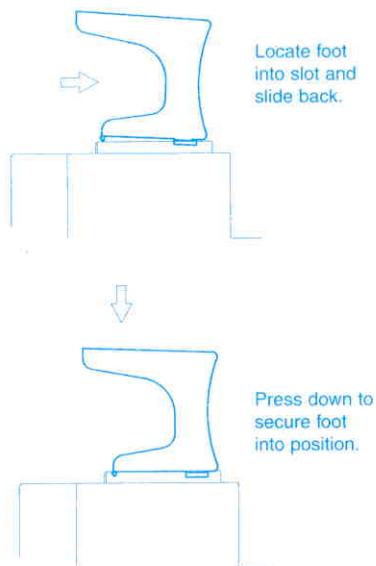


Fig. 1



- 3.- Take off the front panel by removing the two screws at the bottom of the heater.
- 4.- Set the heater in the selected installation area and mark the fixing points on the wall using a pencil. Use the heater fixing holes as a template and mark the wall through the fixing holes. Drill the required holes into the wall. Fix the heater to the wall. Please note the weight of the heater is taken by the feet, the wall fixing screws are only to prevent the heater overturning. If there is any doubt as to the strength of the wall please consult an expert. **Storage heaters are very heavy and the installer must ensure that they are securely fixed and that there is no possibility of them overturning.**

- 5.- Connect the heater using the enclosed wiring diagram. Ensure that all connections are firm. Use silicone covered wire. Do not leave any remaining wire inside the heater.
- 6.- Remove the inner front panel.  
**Warning. At the other side of this front panel there is a breakable thermal insulation panel. It must be handle with care. Avoid touching it.**
- 7.- Do not disconnect the electrical elements. Remove the packaging then lift and recline the elements.
- 8.- Place the storage bricks carefully, with the flat side facing the back of the heater. Arrange two rows of bricks (Fig. 2).

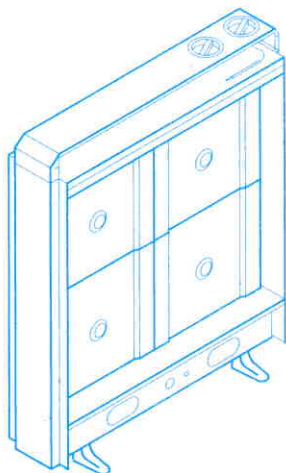


Fig. 2

- 9.- Fix the elements in their original position. Place the other two rows of bricks with the knobs face to face.
- 10.- Refit the inner front panel. If the bricks have been fitted correctly you will find no difficulty in refitting the panel (Fig. 3).

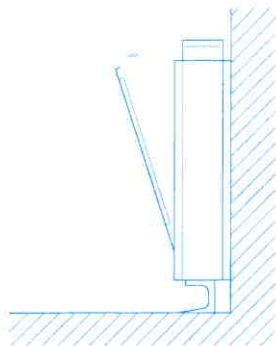


Fig. 3

- 11.- Attach the front panel and fix it at the bottom edge with the two screws provided.

## USING THE STORAGE HEATER

The two controls at the top of the heater govern the input and output functions. Both are printed with the numbers 1 to 5.

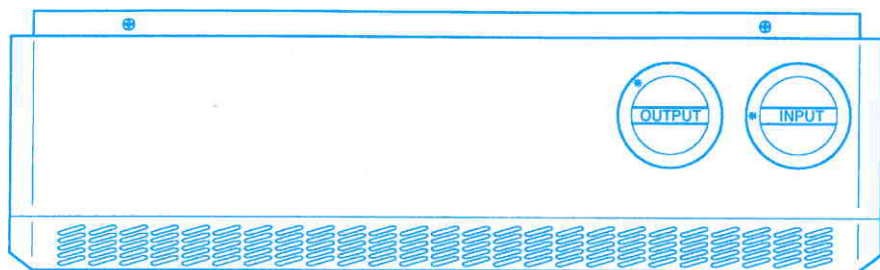


Fig. 4

The input control allows you to select the amount of heat you wish to store during the night.

During mild weather, it is normal to set your input control in a medium position. In cooler weather, the control could be set at 5 to give maximum heat retention.

The stored heat will be delivered to the room by both radiant and convected methods. The convected heat can be regulated by using the output control. This control governs the continuous flow of convected heat from the outlet grill. Model SH6M is completely automatic and has no output control.

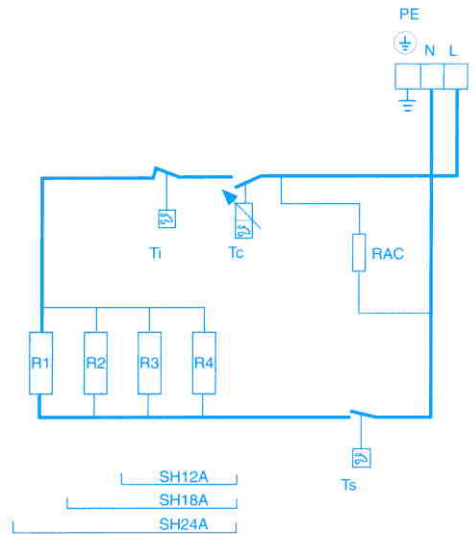
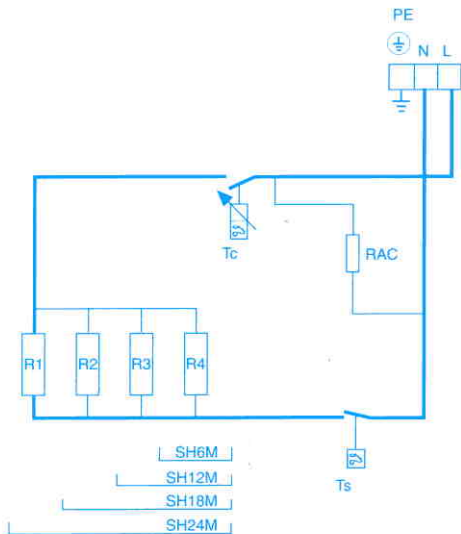
The storage heaters have an exclusive feature which makes it unnecessary to close the output control at night. The outlet damper will close automatically at the beginning of the overnight charge.

## MAINTENANCE OF YOUR STORAGE HEATER

This storage heater does not require any special care. During the first few charges you may be aware of an unusual odour. This is normal and if it happens, please ventilate the room until the odour disappears.

If dust accumulates on the heater surface it can be removed using a wet cloth when the heater is cold. Do not use solvents or abrasive products.

## WIRING DIAGRAM



R1, R2, R3, R4	Heating elements	TI	Temperature limiter
RAC	Accelerating resistance	PE	Earth
Tc	Charge control thermostat	L	Live
Ts	Safety cut out	N	Neutral

### IMPORTANT

This equipment is supplied with a main connector. All the wires must be coloured in accordance with the following code:

Green & Yellow - Earth

Blue - Neutral

Brown - Live