

Heat only where needed

The Mark INFRA-LINE offers the option of heating without displacing air. In addition, heat reaches only the location where it is required. The short warming-up period and the lower room temperature can yield good energy savings. Savings can be as high as 40%.

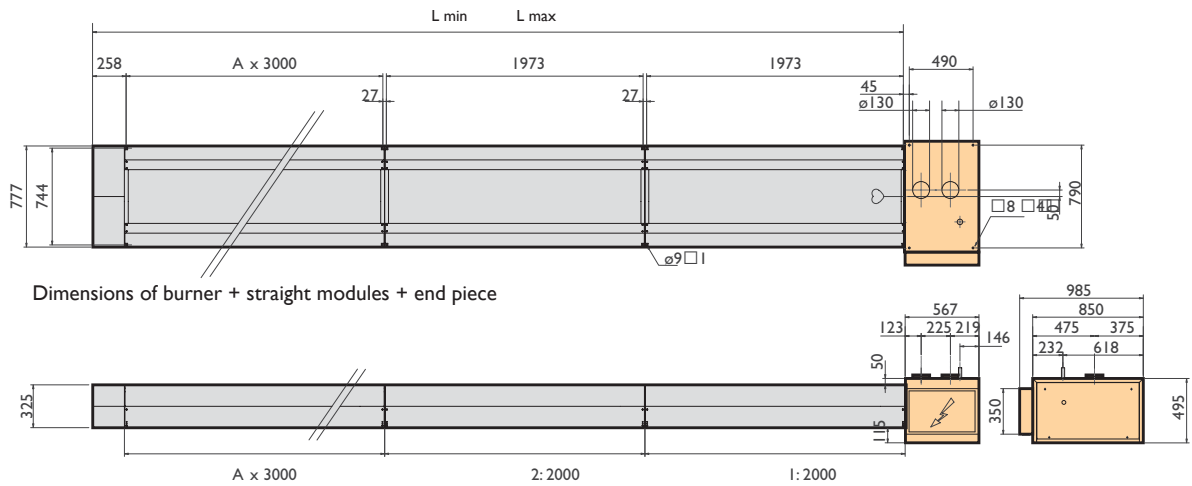
The aluminium reflective hood radiates the radiant heat emitted downwards. Optionally, this hood can be insulated to increase radiation efficiency.

Mark supplies the INFRA-LINE in 7 different capacities with the length of the unit increasing as the capacity increases.

Possible applications include: sports halls, production facilities, aircraft hangars, showrooms and garages

The benefits of radiant heating include:

- Short warm-up time
- High floor temperature
- Silent
- No air movement
- Low energy consumption
- "Zone" heating
- Heat only where needed
- Efficiency 93%



Dimensions of burner + straight modules + end piece

A = number of straight modules

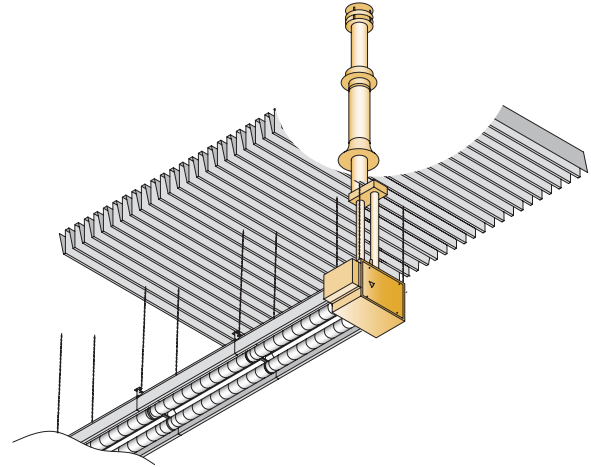
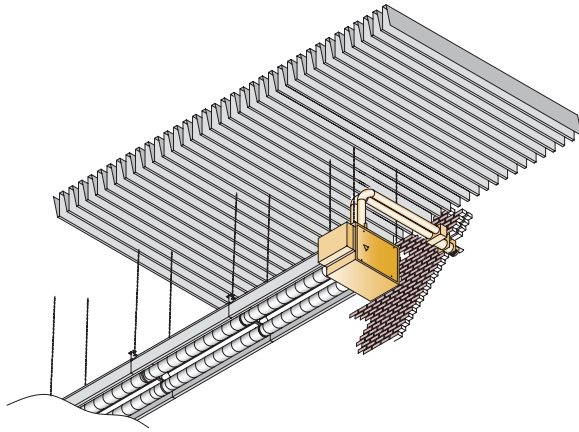
Type	L min	L max
	<i>min.</i>	<i>max.</i>
100/50	50m	50m
90/44	45m	50m
80/40	40m	50m
70/36	36m	50m

Type	L min	L max
	<i>min.</i>	<i>max.</i>
100-70/50	50m	50m
70/30	30m	30m
50/30	30m	30m

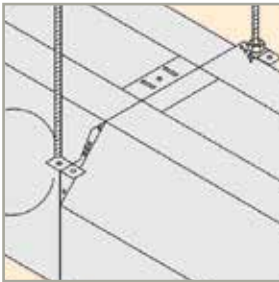
Technical information

Type		100/50	90/44	80/40	70/36	70/30	50/30	100-70/50
Nominal power	kW	100	90	80	70	70	50	100/70
Nominal load (lower value)	kW	107,5	97,2	85,6	74,9	74,9	55	107,5/74,9
Gas consumption G25 (15°C)	m ³ /h	13,2	11,9	10,5	9,2	9,2	6,8	13,2/9,2
Gas consumption G20 (15°C)	m ³ /h	11,4	10,3	9,1	7,9	7,9	5,8	11,4/7,9
Gas consumption G31 (15°C)	m ³ /h	1,1	1,0	3,5	3,1	3,1	2,3	4,4/3,1
Gas consumption G30 (15°C)	m ³ /h	3,3	3,0	2,7	2,3	2,3	1,6	3,3/2,3
Weight	kg	1146	1020	936	852	726	726	1150
Electrical power	kW	0,7	0,7	0,7	0,7	0,7	0,7	0,7
Recommended suspension height	m	7,0	7,0	6,5	6,5	6,0	6,0	7,0
Minimum suspension height	m	5,0	5,0	5,0	4,5	4,5	4,5	5,0
Noise level at 5 m	dB(A)	48	48	48	48	48	48	48

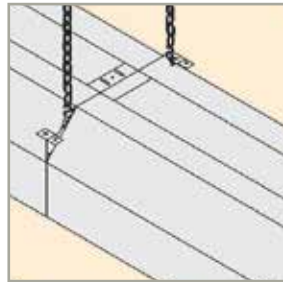
Accessories – flue gas exhaust



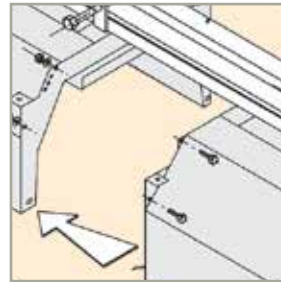
Assembly/location suggestions



Cross bars
(not included)



Chains
(not included)



Suspension rail
(optional)

Controls

